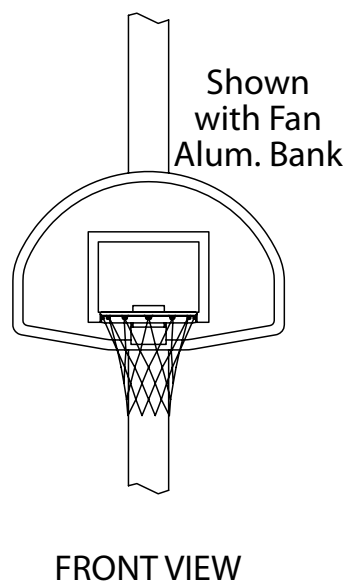
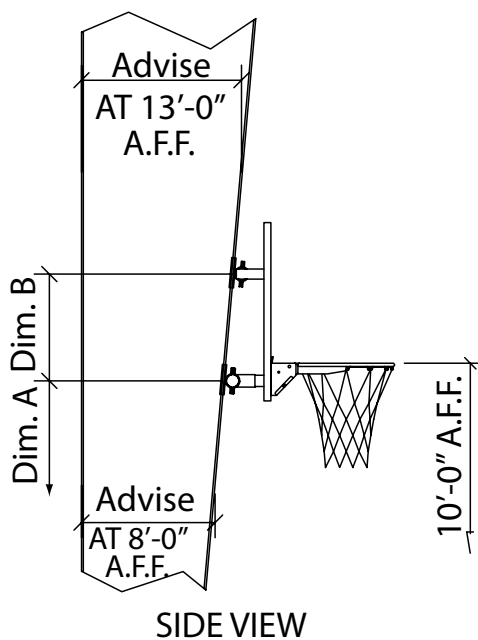
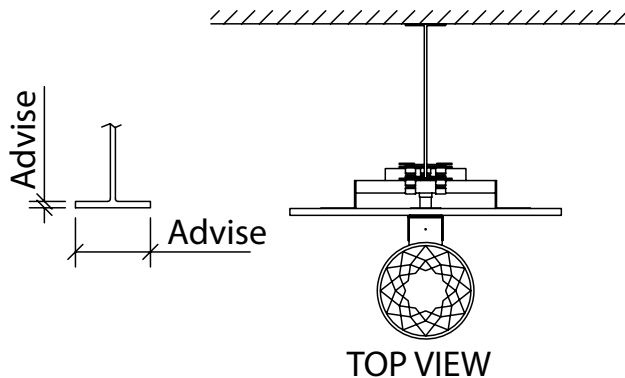


# EZ-Fold® CM

Basketball Backstop—  
Column-Mounted, Stationary

by DRAPER

| Style of Bank  | Without Height Adjuster |             | With Height Adjuster |             |
|----------------|-------------------------|-------------|----------------------|-------------|
|                | Dimension A             | Dimension B | Dimension A          | Dimension B |
| Fan Aluminum   | 9'8½"                   | 1'9¼"       | 9'9"                 | 1'5"        |
| Fan Fiberglass | 9'8½"                   | 2'1¼"       | 9'9½"                | 1'5"        |
| Fan Glass      | 9'8½"                   | 2'1"        | N/A                  | N/A         |



Draper offers a 25-year limited warranty on the EZ-Fold® basketball backstop structure. No other basketball backstop manufacturer offers you this protection. For a copy of the EZ-Fold® backstop warranty in its entirety, contact Draper, Inc.

# DRAPER

411 S. Pearl St., Spiceland, IN 47385 USA ■ 765-987-7999  
www.draperinc.com ■ fax 765-987-7142  
Copyright © 2015 Draper Inc. Form EZ-CM\_Sub15 Printed in U.S.A.

PROJECT: \_\_\_\_\_

ARCHITECT: \_\_\_\_\_

CONTRACTOR: \_\_\_\_\_

SUPPLIER: \_\_\_\_\_

DATE: \_\_\_\_\_ REVISED: \_\_\_\_\_

**Specifications—EZ-Fold® CM**  
*Column-Mounted, Stationary Backstop*

**Product Description**

Basketball Backstop shall be the EZ-FOLD® Model CM, stationary backstop by Draper, Inc. of Spiceland, IN.

CM backstop shall be designed and furnished with all hardware and fittings necessary to mount a fan-shaped backboard and goal. CM may be mounted to most straight or sloped columns with exposed flanges. Lower attachment shall be adjustable to accommodate sloped columns. Upper attachment assembly shall be a fixed extension bank hanger bracket. Goal mounts through the backboard to the lower attachment creating a rigid goal brace direct attachment. Upper and lower attachment assemblies shall have a black or white powder coat finish. Other colors available: contact Draper for details.

**Options**

Backstop can be provided with any of several different fan backboards and goals. Specify types desired. See separate sheets.

**Accessories**

**Height Adjusters (see separate sheets):**

- 503097**— For motorized 8'-10' (244 cm-305 cm) height adjustment of fan bank.
- 503098**— For motorized 8'-10' (244 cm-305 cm) height adjustment of fan bank with wireless remote control.
- 503099**— For motorized 8'-10' (244 cm-305 cm) height adjustment of fan bank with EZ Stick Power Wand.
- 503094**— For manual 8'-10' (244 cm-305 cm) height adjustment of fan backboards.

**LEED® Submittal Information**

| Credit                    | Measure  |                    |
|---------------------------|--|--------------------|
| MRc4 – Recycled Content   | Post Consumer Average 26.90%   | Post Industrial 0% |
| MRc5 – Regional Materials | Raw materials are commodity items from multiple sources so extraction point cannot be determined. Final Manufacturing/Assembly in Spiceland, IN 47385. |                    |