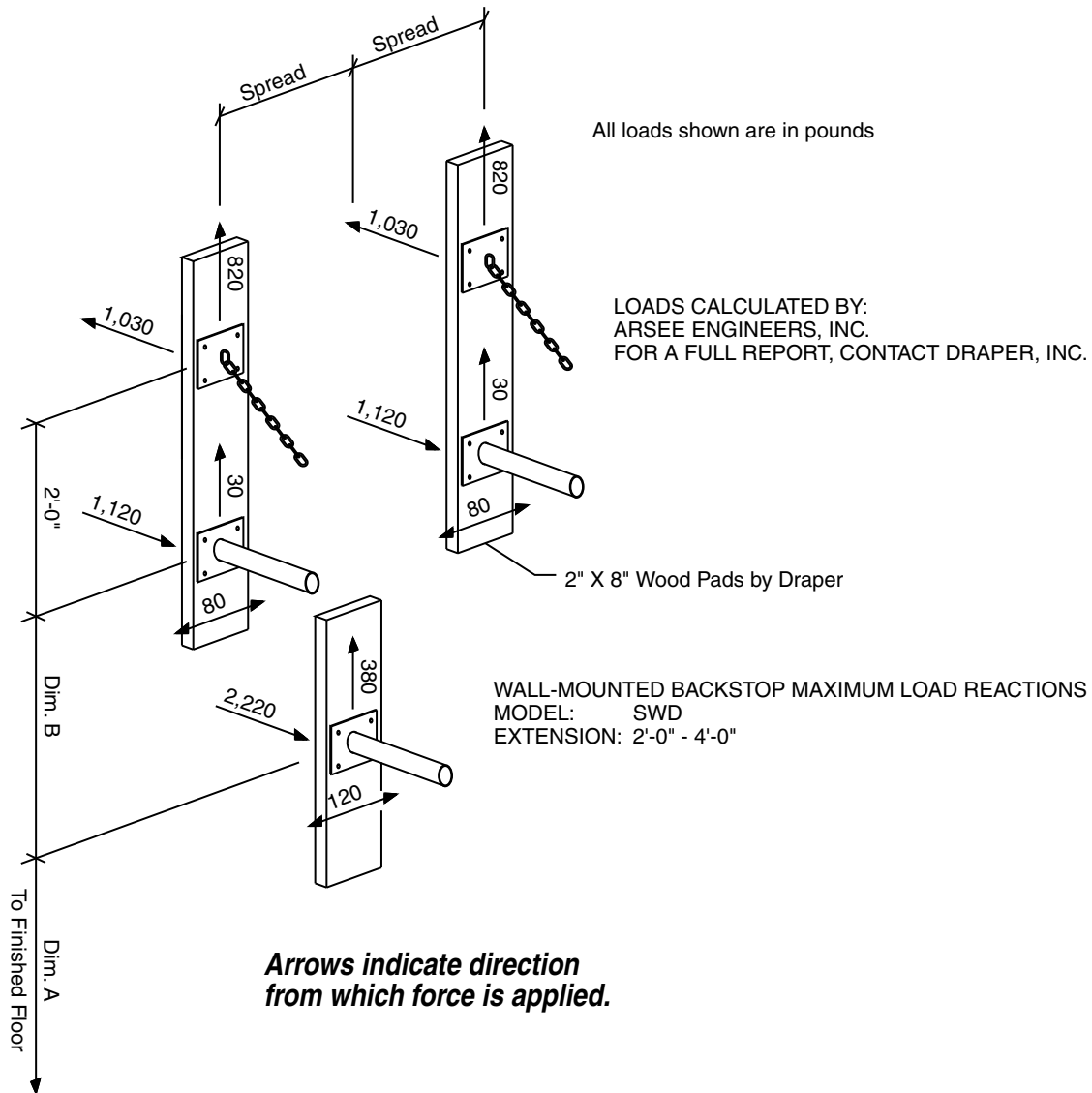


EZ Fold® SWD-04

Basketball Backstop—Wall-Mounted,
Direct-Mount Backstop

by DRAPER



Style of Bank	Without Height Adjuster			With Height Adjuster		
	Dimension A	Dimension B	Spread	Dimension A	Dimension B	Spread
Fan Aluminum	9'-8½"	1'-9¼"	1'-5½"	9'-11½"	3'-0"	1'-5½"
Fan Fiberglass	9'-8½"	2'-1¼"	1'-5½"	10'-0"	3'-0"	1'-5½"
Fan Glass	9'-8½"	2'-1"	1'-5½"	9'-11¾"	3'-0"	1'-5½"
72" x 42" Rectangular Fiberglass	9'-9"	3'-0"	2'-7½"	9'-10½"	3'-0"	1'-5½"
72" x 42" Rectangular Glass	9'-9¼"	2'-11¾"	2'-7½"	9'-10½"	3'-0"	1'-5½"
72" x 42" Rectangular Steel	9'-8½"	2'-1⅜"	1'-5½"	10'-0⅛"	3'-0"	1'-5½"
72" x 42" Rectangular Wood	9'-9"	2'-11½"	2'-7½"	9'-10½"	3'-0"	1'-5½"
72" x 48" Rectangular Fiberglass	9'-8½"	3'-0"	2'-7½"	9'-10½"	3'-0"	1'-5½"
72" x 48" Rectangular Glass	9'-8½"	3'-0½"	2'-7½"	9'-10½"	3'-0"	1'-5½"
72" x 48" Rectangular Steel	9'-8½"	2'-1⅜"	1'-5½"	10'-0⅛"	3'-0"	1'-5½"
72" x 48" Rectangular Wood	9'-8½"	3'-0½"	2'-7½"	9'-10½"	3'-0"	1'-5½"

DRAPER®

411 S. Pearl St., Spiceland, IN 47385 USA ■ 765-987-7999
www.draperinc.com ■ fax 866-637-5611

Copyright © 2011 Draper Inc. Form EZ-SWD-04_PL11 Printed in U.S.A.