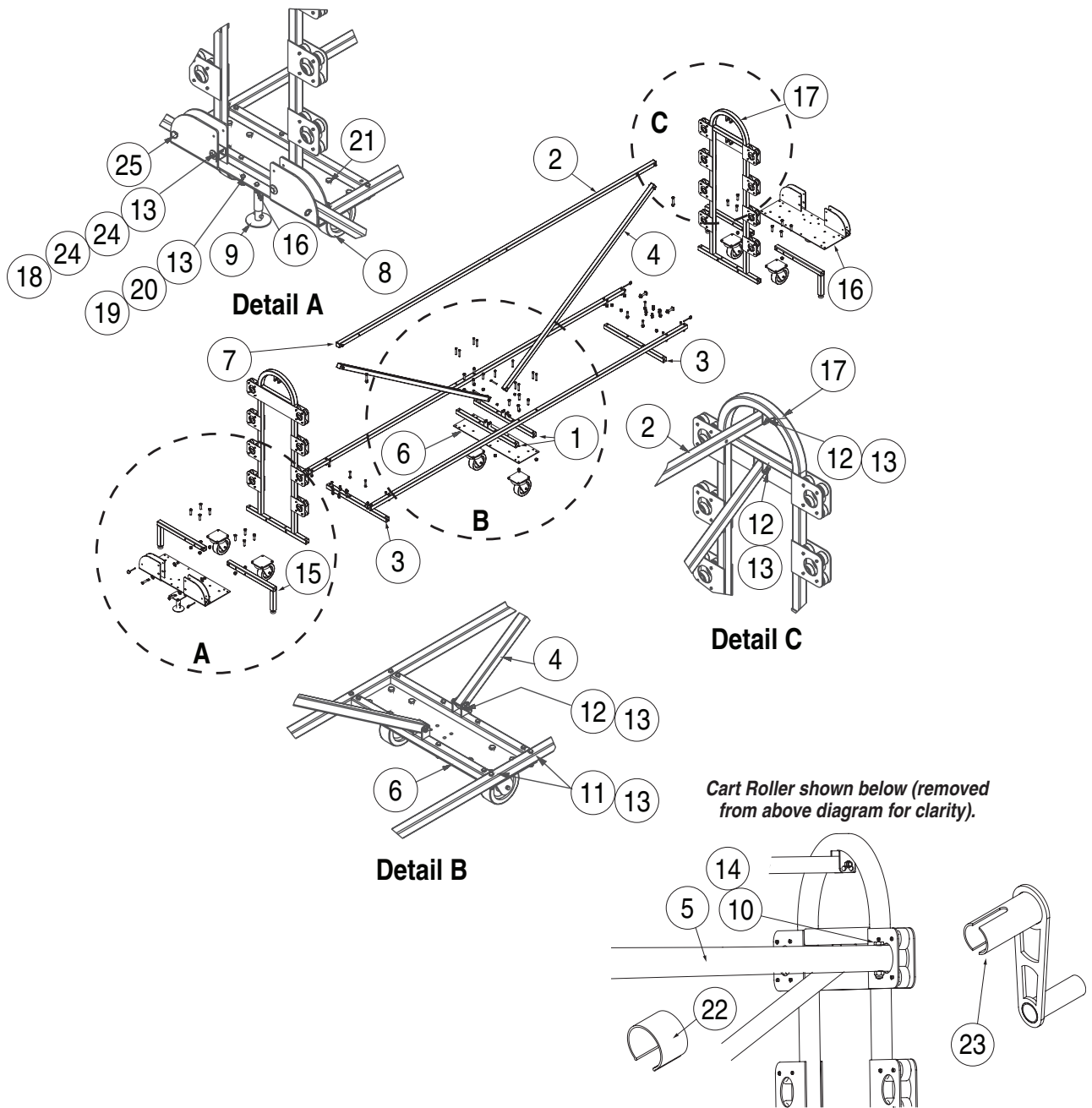


Installation Instructions Gym Floor Cover Cart by Draper



Item	Qty	Description
1	2	Frame, Floor Cover Cart Cross—Middle
2	3	Tube, Floor Cover Cart Side—Top/Side
3	2	Tube, Floor Cover Cart Cross—End
4	2	Tube, Floor Cover Cart Brace
5	8	Tube, Floor Cover Cart Roller
6	1	Plate, Floor Cover Cart Base
7	6	Plug, Black Plastic 1½" Square Tubing
8	6	Caster, Swivel, 6" x 2" x 7½" Urethane
9	2	Brake, 7½" Dual Release Floor Lock
10	16	Screw, ½-13 x 3" Zinc Grade 5 Hex Head Cap
11	36	Screw, ¾-16 x 2¼" Grade 5 Zinc Hex Head Cap
12	6	Screw, ¾-16 x 2½" Grade 5 Zinc Hex Head Cap

Item	Qty	Description
13	54	Nut ¾-16 Grade 5 Zinc Nylon Inserted Hex Lock
14	40	Nut ½-13 Grade 5 Zinc Nylon Lock
15	4	Leg, Outrigger
16	2	Base, Floor Cover Cart End
17	2	Frame, Floor Cover Cart End
18	4	Screw, ¾-16 x 2¾" Grade 5 Zinc Hex HD Cap Shoulder
19	8	Screw, ¾-16 x 1¼" Zinc Grade 5 Hex Head Cap
20	8	Washer .375 I.D. x .875 O.D. x .064" TK Grade 2 Zinc Flat
21	24	Screw ½-13 x 1¼" Zinc Grade 2 Hex Head Cap
22	32	Clip, Floor Cover Retainer Clip
23	2	Handle, Floor Cover Crank
24	8	Washer, .562" ID X 1.375" OD X .125" Thick USS Zinc Flat
25	4	Pin Hitch .25 Dia. x 2.5 "

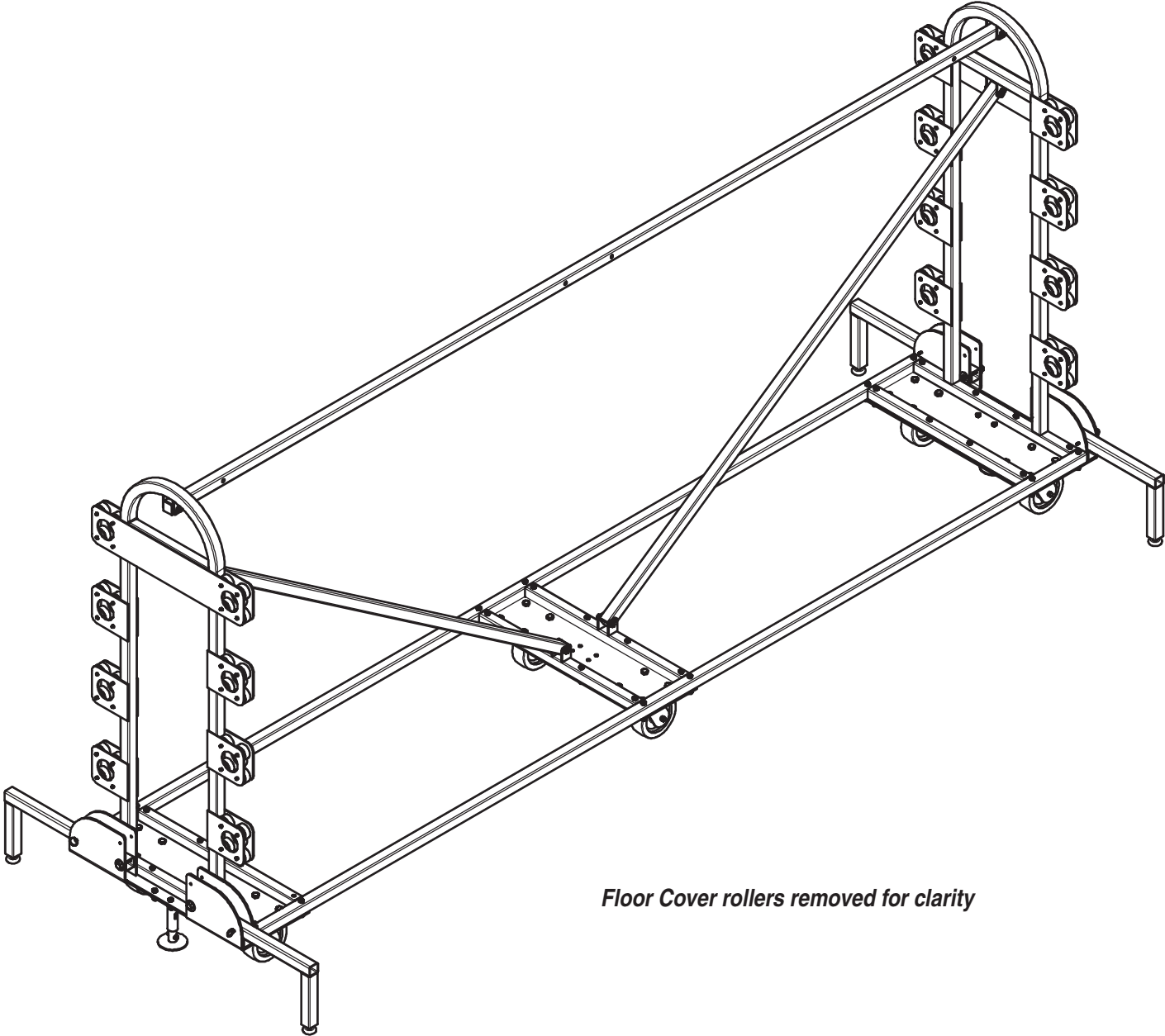
DRAPER®

411 S. Pearl St., Spiceland, IN 47385 USA ■ 765-987-7999
 www.draperinc.com ■ fax 765-987-7142
 Copyright © 2013 Draper Inc. Form GymFloorCoverCart_Inst13-R Printed in U.S.A.

Continued on page 2

If you encounter any difficulties installing or servicing your Gym Floor Cover Cart, call your dealer or Draper, Inc. Spiceland, Indiana, U.S.A., (765) 987-7999 or fax (765) 987-7142.

Gym Floor Cover Cart—Assembled View



Floor Cover rollers removed for clarity