

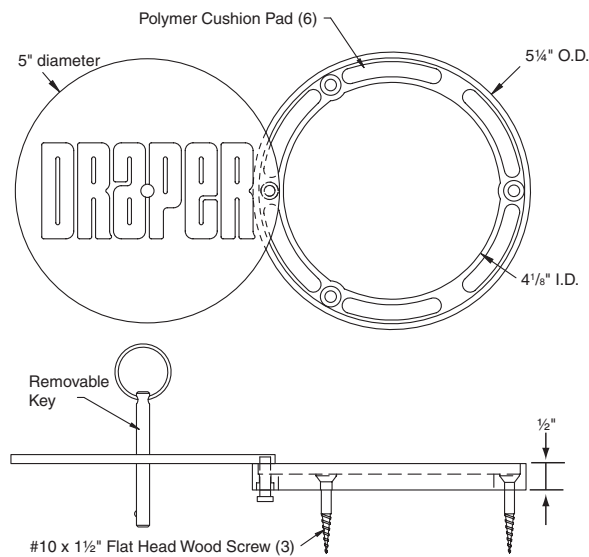
Installation Instructions

Volleyball Floor Cover Plates by Draper

501001 Chrome Plated/501031 Brass Plated Floor Cover Plate (5") by Draper

Please Note: Install Floor Sleeves before installing Floor Plates

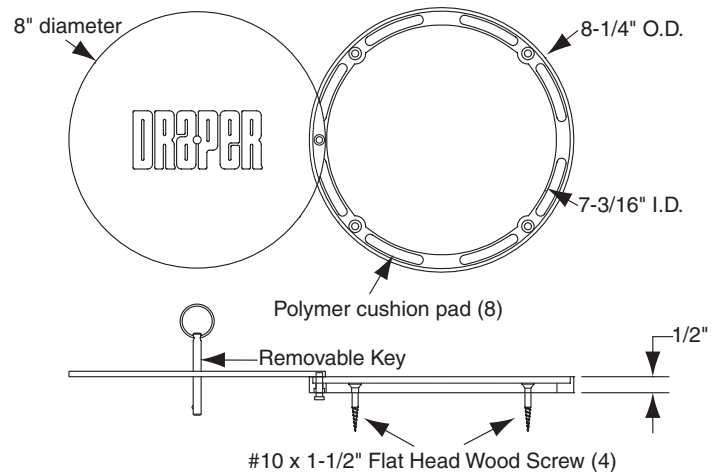
- ① Locate cover plate assembly directly centered over floor sleeve.
- ② Mark outer perimeter of cover plate on floor. Marking should be an 5¼" circle.
- ③ Set route depth to ½".
- ④ Route out floor, staying within the 5¼" circle.
- ⑤ Set cover plate down in routed area of floor. Insure cover plate is flush with top of finished floor.
- ⑥ Drill ⅛" diameter hole 1¼" deep through all three screw holes in cover plate flange.
- ⑦ Install the three #10 x 1½" flat head wood screws.
- ⑧ Close cover, remove key, and give key to owner for future use.



501034 Chrome Plated/501033 Brass Plated Floor Cover Plate (8") by Draper

Please Note: Install Floor Sleeves before installing Floor Plates

- ① Locate cover plate assembly directly centered over floor sleeve.
- ② Mark outer perimeter of cover plate on floor. Marking should be an 8¼" circle.
- ③ Set router depth to ½".
- ④ Route out floor, staying within the 8¼" circle.
- ⑤ Set cover plate in routed area of floor. Insure cover plate is flush with top of finished floor.
- ⑥ Drill ⅛" diameter hole 1¼" deep through all four holes in cover plate flange.
- ⑦ Install the four #10 x 1½" flat head wood screws.
- ⑧ Close cover, remove key, and give key to owner for future use.



DRAPER®