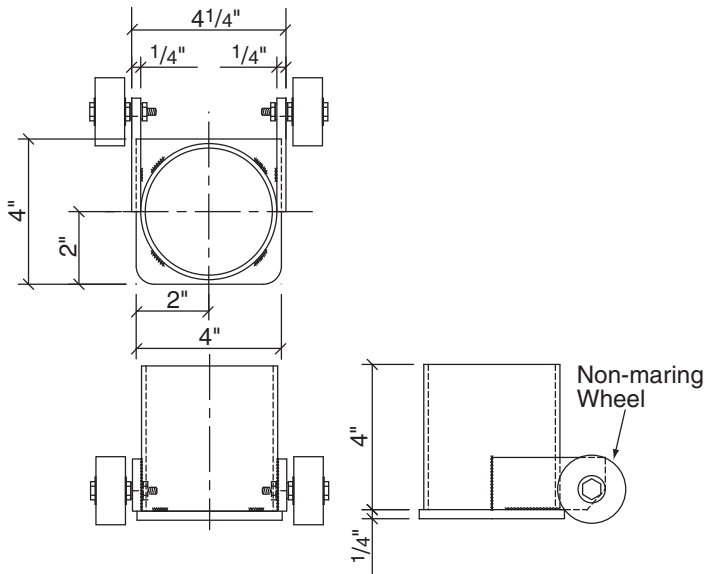


Volleyball Transporters

by **DRAPER**

501023



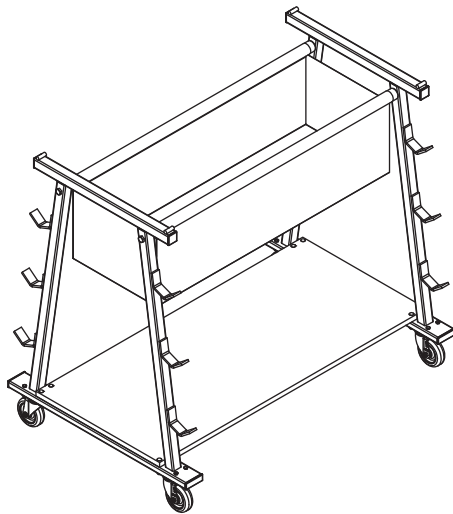
Specifications—501023 **Single Volleyball Post Transporter**

Product Description

For transporting a single volleyball post, specify Draper Model No. 501023 Single Volleyball Post Transporter.

Model No. 501023 Single Post transporter is constructed with 3 1/2" ID tube welded to 1/4" thick flat plate. Transporter features two 1 1/2" non-marking nylon casters. Entire unit is finished in attractive gloss black powder coat. Post transporter makes it easy to move volleyball posts to and from storage area.

501016

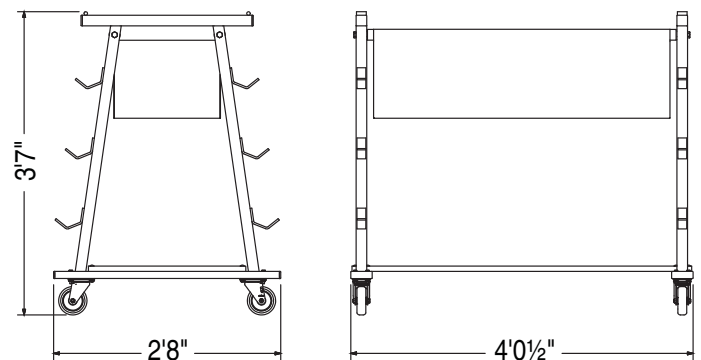


Specifications—501016 **Volleyball Transporter**

Product Description

Heavy-Duty Volleyball Transporter shall be 501016 by Draper, Inc. of Spiceland, IN.

Heavy-duty transporter is designed to store entire PVS-01 System 500001. Transporter rolls on swivel casters.



DRAPER[®]

411 S. Pearl St., Spiceland, IN 47385 USA ■ 765-987-7999
www.draperinc.com ■ fax 765-987-7142

Copyright © 2012 Draper Inc. Form VB-501023-501016-Transporters_Sub12 Printed in U.S.A.

PROJECT: _____

ARCHITECT: _____

CONTRACTOR: _____

SUPPLIER: _____

DATE: _____ REVISED: _____