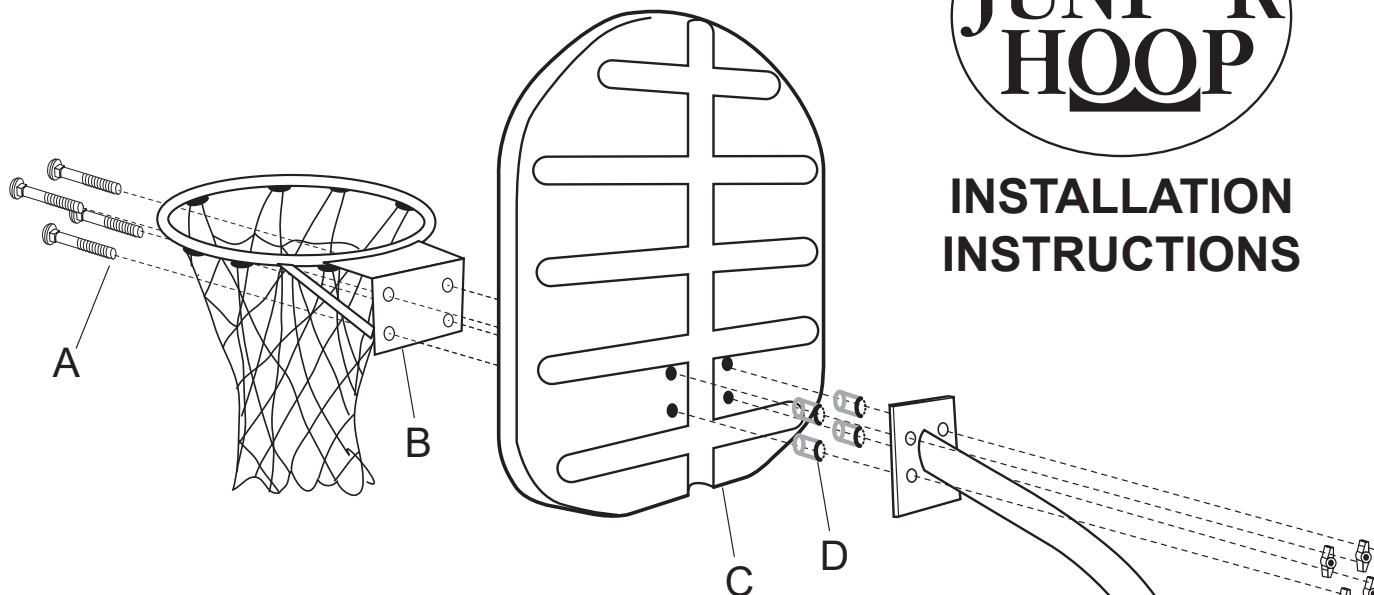




## INSTALLATION INSTRUCTIONS



### INITIAL RIM BACKBOARD ASSEMBLY

Slide 4 Carriage Bolts (A) through Rim holes (B) and Backboard holes (C). Slip Spacers (D) (black ends away from backboard) on to bolts, making sure bolt heads recess properly into rim holes. Align and insert bolts through post holes and secure with White Hand Knobs (H).

### SECURE BASKETBALL UNIT TO BASE

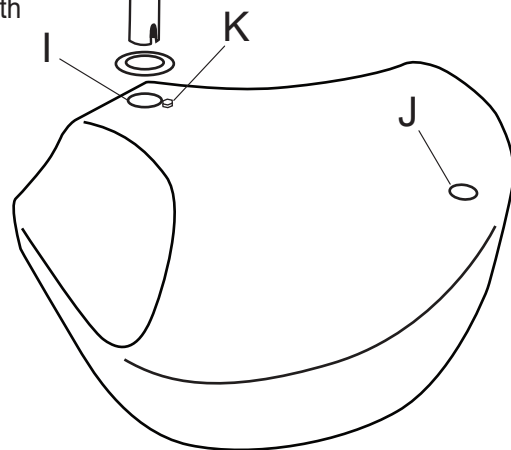
- Position unit near desired playing location, fill base with water and push plug into fill hole (J).
- Loosen anchor bolt in base until brass wedge in anchor is in it's lowest position.
- Put finishing ring on basketball post and lower post into base hole (I) so notches on bottom of post drops down and interlocks with anchor. Tighten anchor bolt (K) with wrench until tight.

*NOTE: To remove post, loosen anchor bolts & tap down on bolt head.*

*This will unlock wedge from post.*

### Parts List

White Hand Knobs	4
Carriage Bolts (1/4 X 2)	4
Spacers	4
Base Plug	1
Finishing Ring	1
Inflation Needle	1
Ball	1



### WARRANTY

1. Jr Hoop is warranted to the original owner for one year from date of purchase, with proof of purchase.

This warranty covers defects in materials and workmanship.

2. Parts returned under this warranty will be inspected. Damage which, in our judgment, occurred because of misuse, negligence or accident is not covered by this warranty. This warranty is void if the product has been altered or tampered with in any way.

3. Owner may send parts presumed defective directly to Dunn-Rite Products, freight prepaid. If Dunn-Rite agrees that the products are defective and covered by this warranty, Dunn-Rite Products will repair or replace at its' option, and return the parts, with no charge for repairs.

In no event shall Dunn-Rite Products be liable for incidental or consequential damages of any nature or kind, or for damages to persons or property.

\*If a part is missing or installation help is needed, call our HELP LINE for a quick response.

800-798-9646

Ver. 4-19



2200 South J Street Elwood, IN 46036  
Fax 765-552-7773