

DECK MOUNTED



Item No. DMB450

REGULATION CLEAR HOOP INSTALLATION INSTRUCTIONS

STEP 1

PREPARE ANCHOR(S) FOR INSTALLATION

- Take anchor and locate parting line on outside front of anchor (opposite bolt) and mark a line on top lip of anchor directly above parting line (A1). This will give you a guide to align the anchor before concrete hardens.
- The hole in bottom of anchor should drain into the ground. Put a piece of tape over hole to prevent concrete from entering anchor. Poke hole in tape after anchor is set.
- Adjust anchor bolt (B1) so that brass locking wedge inside of anchor is in its lowest position.

STEP 2

Install anchor(s) CEMENT DECK

Method #1 (for uncured concrete decking)

Tools needed: Level, 3'-5' piece of 2" sch. 40 PVC pipe for leveling anchor.

- Position anchor approximately 6"-8" from pool edge, with anchor bolt facing away from pool wall (B1) and pencil line on top of anchor (A1) perpendicular to pool edge.

- Pour cement, insert post into anchor and tilt post slightly away from pool water and using leveler adjust left/right levelness of post (Fig.1).

- Put leveler on backside of post (away from pool water) and pull post towards pool water until post is level (Fig. 2). Pulling forward on the post simulates the position of the post when in use. Once leveled, pull post from anchor.

- If possible, re-check levelness of anchor after cement has hardened somewhat and adjust if necessary. Unit will only be as level and square as anchor.

Method #2 (for uncured concrete decking)

Tools needed: One adjustable wrench, level, 3'- 5' piece of 2" sch. 40 PVC pipe for leveling anchor.

- Put PVC pipe in anchor and tighten anchor bolt with wrench.

- Position anchor approximately 6"- 8" from pool edge, with anchor bolt facing away from pool wall and pencil line on top of anchor (A1) perpendicular to pool edge.

- Brace post in level position (Fig. 1 & 2) then pour cement.

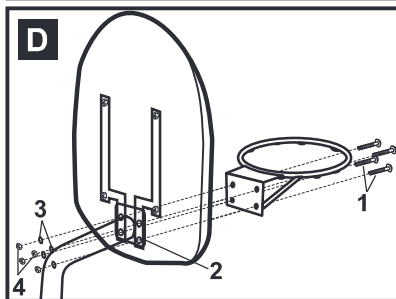
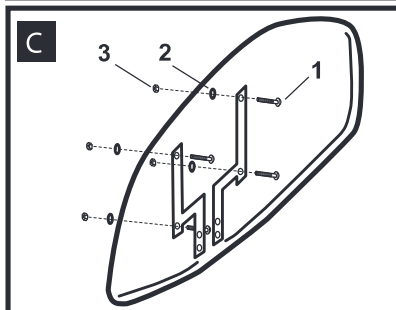
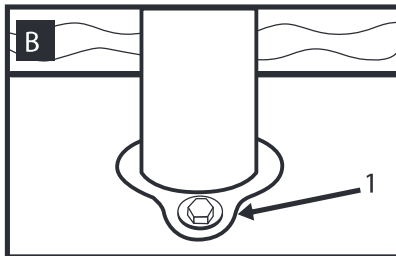
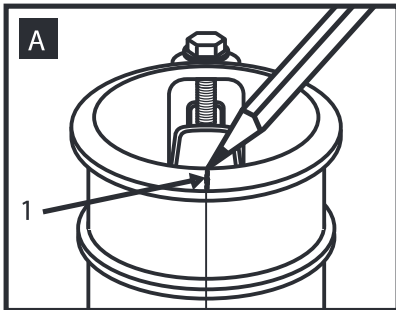
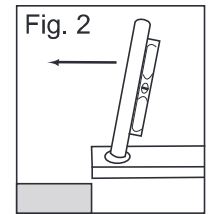
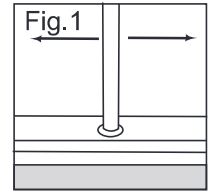
Method #3 (for cured concrete decking)

Tools needed: One adjustable wrench, level, 3'-5' piece of 2" sch. 40 PVC pipe for leveling anchor

- When installing anchor in existing concrete decking, a 5" diameter hole must be bored into concrete.

Install anchor as described above in Method #1 or #2 and secure into place using any good quality anchor cement.

Note : 6" finishing rings and caps are available upon request at no cost, to cover core hole . Just call us at 1-800-798-9646.



PARTS LIST

- 2 - Stainless Brackets
- 1 - Anchor with Cap
- 1 - Stainless Post with Finishing Ring
- 1 - Regulation Size Acrylic Backboard
- 1 - Stainless Vinyl Coated Rim with Net
- 8 - 5/16" Nylon Inserted Lock Nuts
- 4 - Allen Socket Bolts
- 4 - 5/16" x 2" Carriage Bolts
- 8 - Washers
- 1 - Ball with Inflating Needle
- 1 - Allen Wrench

STEP 3

Assemble Basketball Unit

NOTE : To avoid scratching the backboard, it is required to have 2 people assembling the unit on a carpeted or padded floor.

- Attach stainless brackets to the back side of backboard by inserting 4 allen head bolts thru the 4 outer holes (not rim holes) on the front of backboard (C1) then thru the corresponding holes in the brackets. Install a 5/16" washer (C2) and loosely install a 5/16" locknut on each of the bolts (C3) by hand.

- While holding the board on it's edge, seat two 5/16" x 2" carriage bolts into 2 bottom rim holes (D1). Then guide rim up to board and run bolts thru backboard and bracket holes. Have a second person alien the holes on the post plate (D2) so that bolts go thru holes and install two 5/16" washers (D3), and loosely install two 5/16" locknuts (D4). Repeat steps for two top rim bolts.

STEP 4

- With unit loosely assembled, temporarily install post in anchor with rim facing away from water. (This will enable you to tighten all of the nuts while standing by the unit). Insert the supplied allen wrench into each of the 4 allen bolts and tighten the nuts with a wrench (C2) after adjusting board so it is straight. Before tightening the rim nuts, be sure the square shoulder under the bolt head is fully inserted into the square hole in the rim plate. Then install two 5/16" x 2" carriage bolts in top rim holes and install two 5/16" washers, and loosely install two 5/16" locknuts.

STEP 5

- Lift unit out of anchor, slip finish ring onto bottom of post and reinsert post with rim facing the water. Make sure keyed post drops and interlocks in anchor and tighten anchor bolt (B1) with wrench.

STEP 6

Removing Basketball Unit

- Lift up finishing ring and loosen anchor bolt (B1), tap bolt head with wrench and loosen all the way so brass wedge is in its lowest position.
- Remove post from anchor and install anchor cap. Be careful when storing backboard to avoid scratching the surface.

WARRANTY

1. Clear Hoop is warranted to the original owner for three year from date of purchase, with proof of purchase. This warranty covers defects in materials and workmanship. 2. Parts returned under this warranty will be inspected. Damage which, in our judgment, occurred because of misuse, negligence or accident is not covered by this warranty. This warranty is void if the product has been altered or tampered with in any way. 3. Owner may send parts presumed defective directly to Dunn-Rite Products, freight prepaid. If Dunn-Rite agrees that the products are defective and covered by this warranty, Dunn-Rite Products will repair or replace at its' option, and return the parts, with no charge for repairs.

In no event shall Dunn-Rite Products be liable for incidental or consequential damages of any nature or kind, or for damages to persons or property.

*If a part is missing or installation help is needed, call our HELP LINE for a quick response.

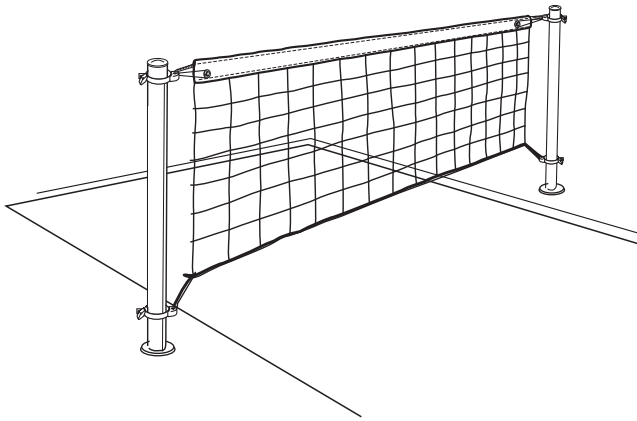
800-798-9646



2200 South J Street Elwood, IN 46036
Fax 765-552-7773

STAINLESS DeckVolly

INSTALLATION INSTRUCTIONS



STEP 1

POST ASSEMBLY/NET ATTACHMENT

The unit is designed to fit existing 2 3/8 anchors. Lower post into anchor. Tighten anchor bolt with wrench until tight. Put finishing ring on post. Install net clamps as pictured (A1) and secure with bolt and hand knob. Push cap into top of post (A2). Repeat procedure on other stand and attach one side of net close to post as pictured. Strands on end of net can later be cut off with scissors (A3).

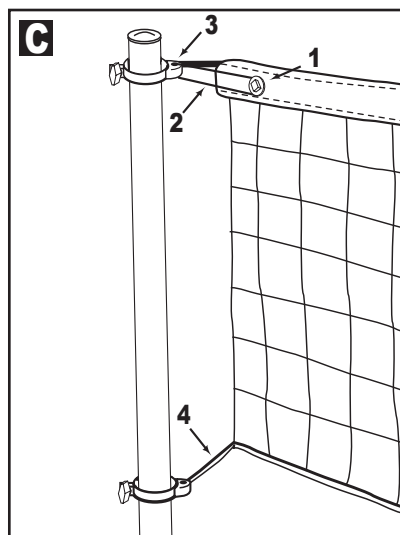
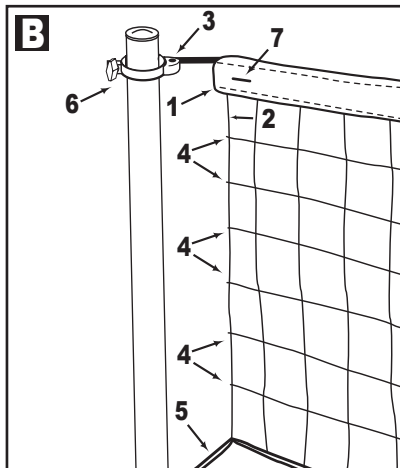
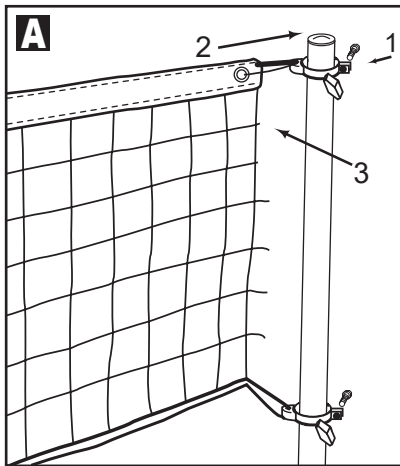
STEP 2

CUSTOMIZE NET LENGTH

Take unattached end of net to other stand and determine ideal length. Using scissors cut top vinyl trim (B1) 1" past selected downward running rope (B2). BE CAREFUL when cutting to AVOID CUTTING MAIN SUPPORT ROPE (B3). Then cut off unwanted netting just past knots (B4) but LEAVE THICK BOTTOM CORD (B5) LONG ENOUGH to tie to bottom clamp on stand. Remove the thin tension rope from grommet on end of net to use later. Pull unwanted piece of net off top rope, cut top cord to desired length and tie to top clamp (B6). Take scissors and punch a 1/4" horizontal slot between 2 stitch lines on vinyl trim. Center between 2 outer downward net ropes (B7). Take the brass bolt and run it through a brass washer, through slot in vinyl trim, through other brass washer and loosely tighten with the brass nut (C1). Take the saved thin tension rope and wrap center around bolt (C2) between the vinyl trim and washer, pull net tight and tie thin tension rope to clamp (C3). Tighten brass bolt (C1) using two adjustable wrenches or pliers. Then tie bottom thick cord to bottom clamp (C4). Make final tension adjustments and cut off any excess rope/cord at clamps. Then singe all ends with a flame so they don't unravel.

BREAKDOWN

To remove post from anchor, loosen bolt in anchor and then tap bolt head down with wrench. Remove post and push anchor cap into anchor.



VOLLEYBALL HARDWARE PARTS LIST

PART	QUANTITY	PART	QUANTITY	PART	QUANTITY
Net Clamps.....	4	Brass Washers.....	2	Ball with Inflating Needle.....	1
Hand Knobs.....	4	Brass Nut.....	1	Post with Finishing Ring.....	2
1"-Bolts.....	4	Post Cap.....	2	Anchor Cap.....	2
Brass Bolt.....	1	Net.....	1		

WARRANTY

- DeckVolly is warranted to the original owner for 1 year from date of purchase, with proof of purchase. This warranty covers defects in materials and workmanship.
- Parts returned under this warranty will be inspected. Damage which, in our judgement, occurred because of misuse, negligence or accident is not covered by this warranty. This warranty is void if the product has been altered or tampered with in any way.
- Owner may send parts presumed defective directly to Dunn-Rite Products, freight prepaid. If Dunn-Rite agrees that the products are defective and covered by this warranty, Dunn-Rite will repair or replace at its option, and return the parts, with no charge for repairs.

In no event shall Dunn-Rite Products be liable for incidental or consequential damages of any nature or kind, or for damages to persons or property.

* If a part is missing or installation help is needed, call our HELPLINE for a quick response.

800-798-9646



2200 South J Street Elwood, IN 46036
Fax 7655527773