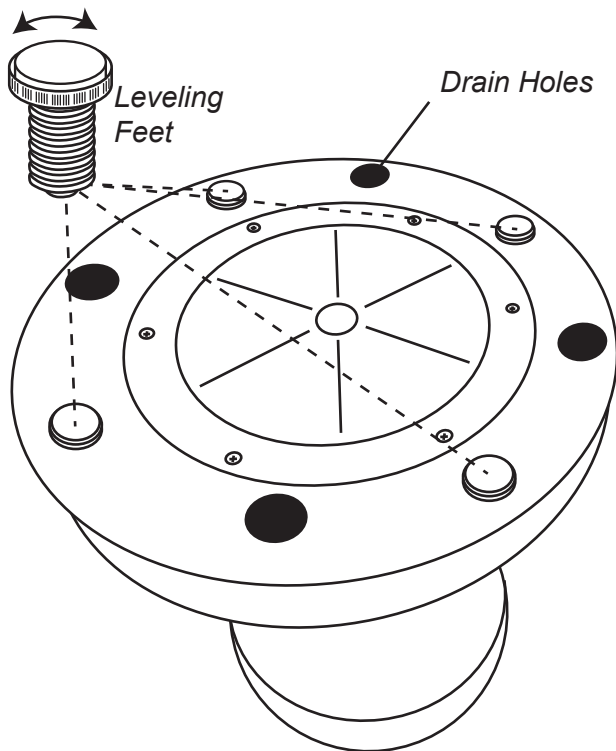
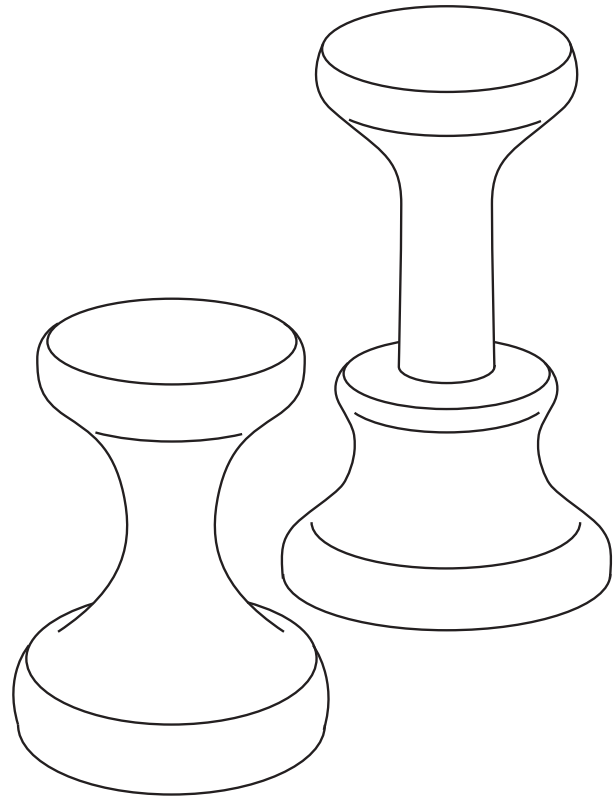


Pool Stool

Pool Stool Instruction

Both the 24" and 30" pool stools are pre-weighted. To Install, simply drop your stool into the water. To remove, lift the stool and allow the water to drain.

Stools come with 4 leveling feet to accommodate for uneven or sloped decks to prevent wobbling. Simply unscrew 1 or more of the feet until stable.



THREE YEAR WARRANTY

HELP LINE 800-798-9646

DUNN *Rite*
pool products