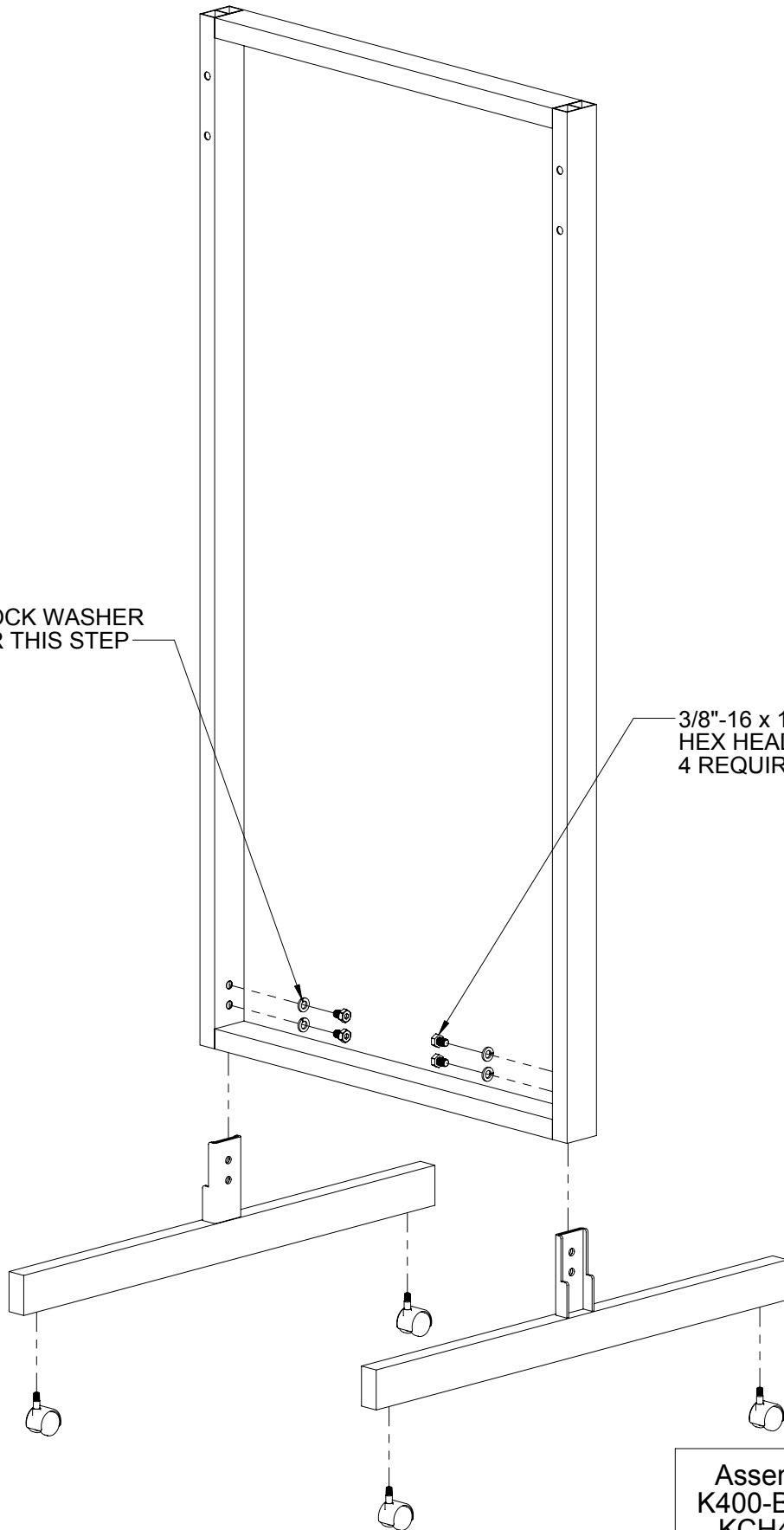
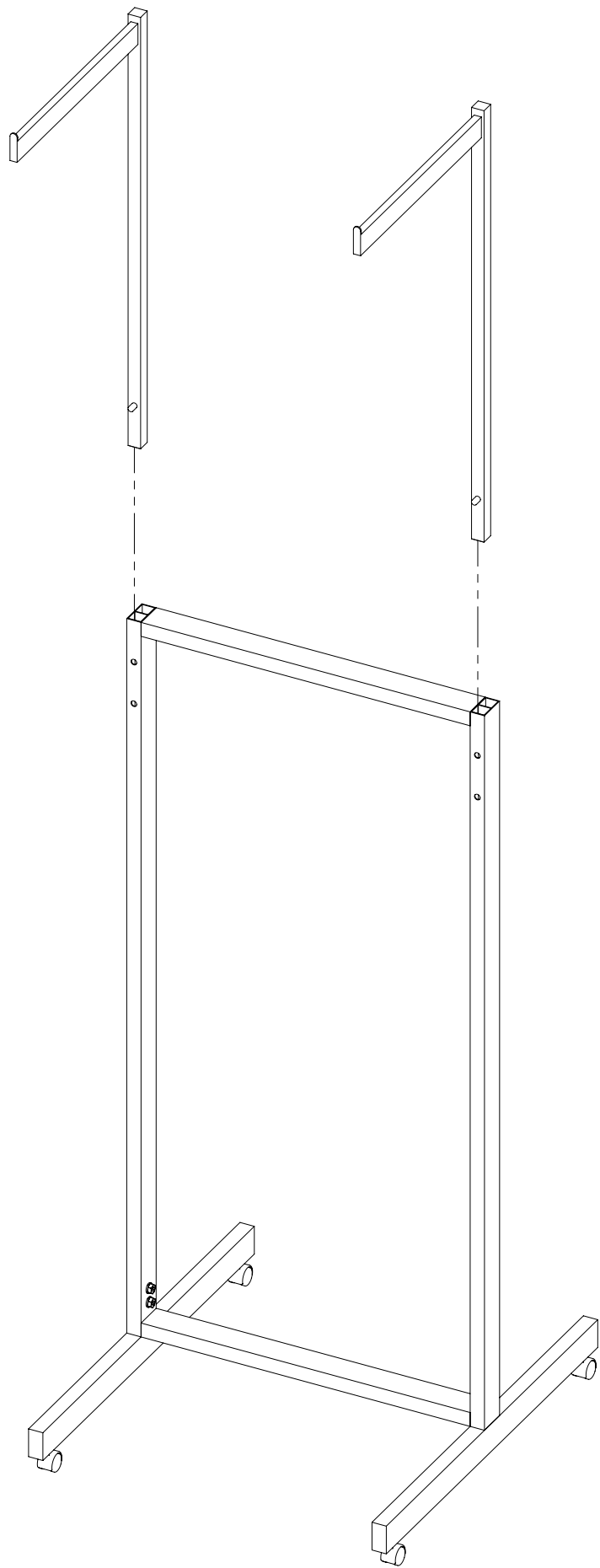


3/8" REGULAR LOCK WASHER  
4 REQUIRED PER THIS STEP

3/8"-16 x 1/2" LONG SOCKET  
HEX HEAD BOLT  
4 REQUIRED PER THIS STEP



Assembly Instructions for  
K400-B, K400-GY, K400-W,  
KCH400-AL, KCH400-B,  
KCH400-GY, KCH400-W



Assembly Instructions for  
K400-B, K400-GY, K400-W,  
KCH400-AL, KCH400-B,  
KCH400-GY, KCH400-W