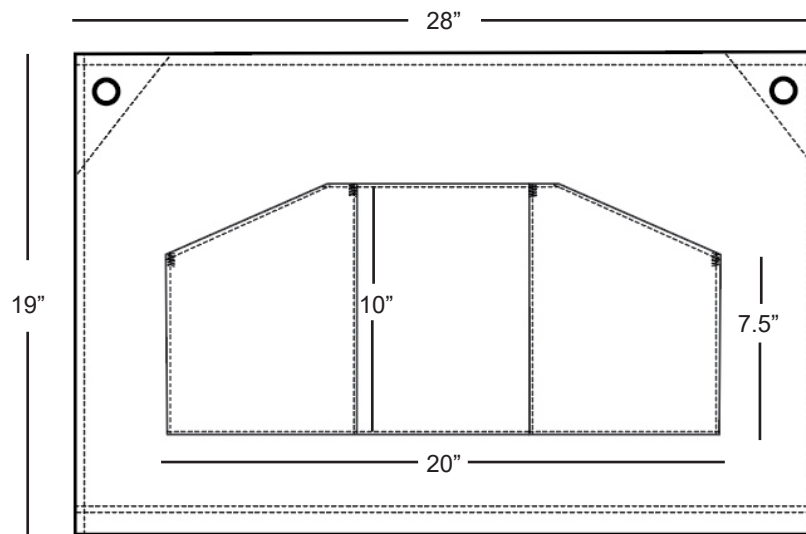




3-POCKET TWILL WAIST APRON #9041

- 65% Polyester/35% Cotton Twill, 7 oz.
- Durable, hardworking apron is comfortable to wear
- Three-part waist pocket
- Includes two dyed-to-match herringbone straps
- Antique brass grommets for straps
- 19" L x 28" W

PRODUCT MEASUREMENTS



007 Navy
19-4010 TCX



010 Black
19-4008 TCX



012 Red
19-1761 TCX



041 Royal
19-4057 TCX