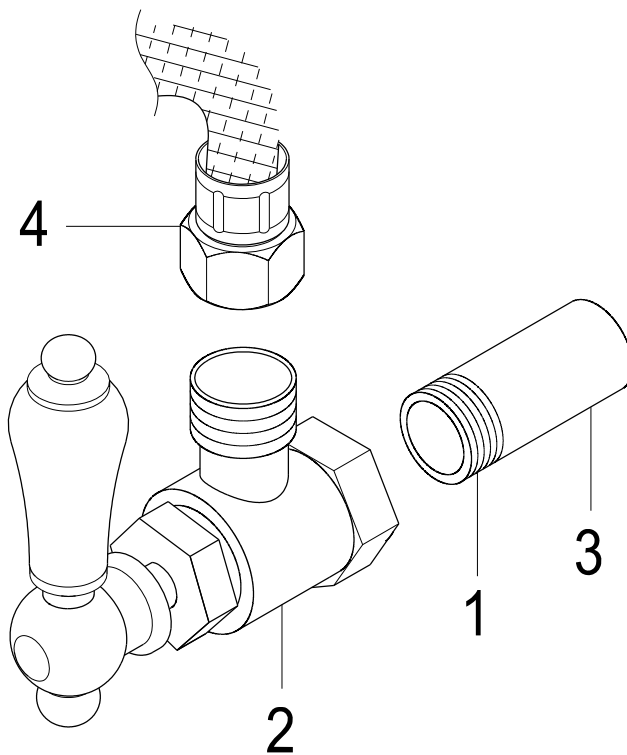


INSTALLATION INSTRUCTIONS For Use With EOD's Angle Stop

Instructions:

1. Apply thread sealant tape to threads(1).
2. Screw valve body(2) onto pipe(3) and hose(4).
3. Stop any leaks by tightening nuts slightly.



www.eodfaucet.com

TOLL-FREE CUSTOMER SERVICE: 877-FAUCET-1(328-2381)

TECHNICAL SUPPORT E-mail: info@eodfaucet.com

12775 Reservoir St., Chino, CA 91710