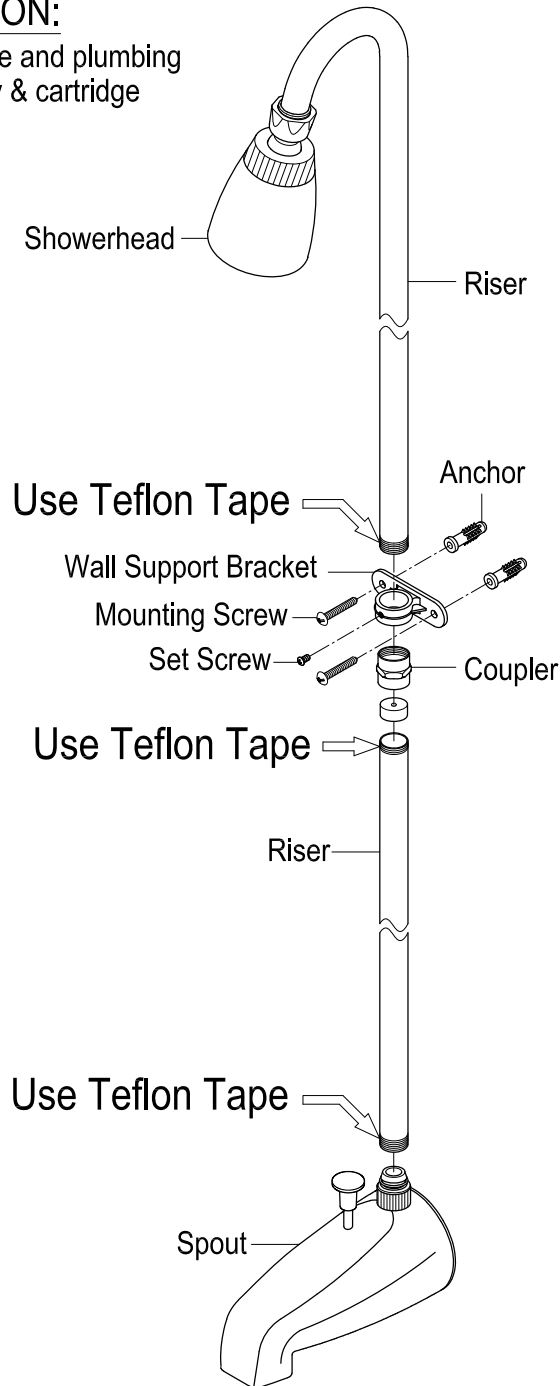


Elements Of Design

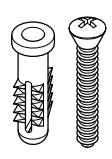

INSTALLATION INSTRUCTIONS Convert to Shower Unit

BEFORE BEGINNING INSTALLATION:

1. Flush plumbing lines to clear debris in pipe and plumbing lines to avoid existing clogs into waterway & cartridge system of new faucet fixture.
2. Shut off both supply lines after flushing



Parts:

Mounting Screw & Anchor	Screw
	
2 Pcs	1 Pc

www.eodfaucet.com

TOLL-FREE CUSTOMER SERVICE: 877-FAUCET-1(328-2381)

TECHNICAL SUPPORT E-mail: info@eodfaucet.com

12775 Reservoir Street, Chino, CA 91710

NOTICE

Failure to follow all directions may cause leaks which may result in water damage

! CAUTION

Failure to follow all installation directions may cause product to detach from the wall and cause serious injury

Installation Manual:

- STEP 1. Insert the thick rubber washer inside the coupler.
- STEP 2. Apply Teflon tape on both thread ends of up and down risers.
- STEP 3. Thread both up and down risers onto coupler.
- STEP 4. Mark sure the rubber washer is actually compressed between the up and down risers. Also, the coupler should be tightly connected, no loosen allowed.

Warning: If the rubber washer is loosen inside the coupler or not compressed, it will not effectively seal the water and lead to leakage.

© 2023-06-D Elements Of Design

