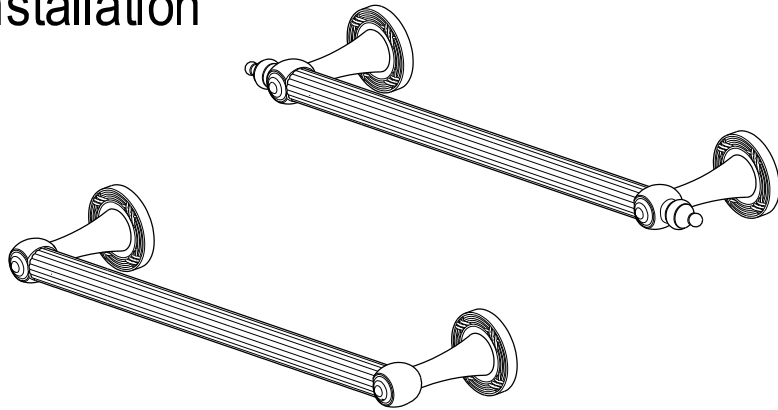
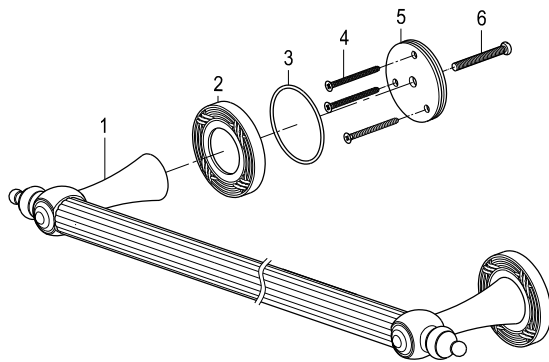


Elements Of Design

Decorative Grade Grab Bar Installation



Parts:



Parts Information:

- 1) Grab Bar: 1 Pc
- 2) Decorative Flange: 2 Pcs
- 3) Mounting Plate O-Ring: 2 Pcs
- 4) Mounting Screw: 6 Pcs
- 5) Mounting Plate: 2 Pcs
- 6) Bolt: 2 Pcs

www.eodfaucet.com
 TOLL-FREE CUSTOMER SERVICE: 877-FAUCET-1(328-2381)
 TECHNICAL SUPPORT E-mail: info@eodfaucet.com
 12775 Reservoir St., Chino, CA 91710

TOOLS REQUIRED

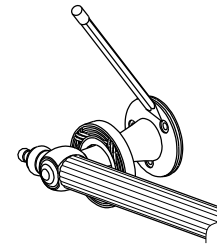
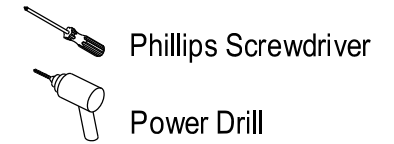
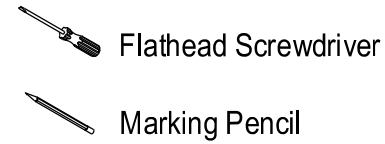


Fig. 1

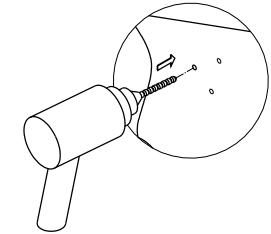


Fig. 2

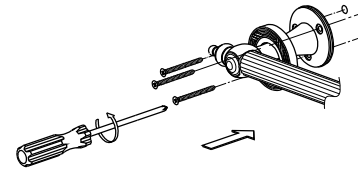


Fig. 3

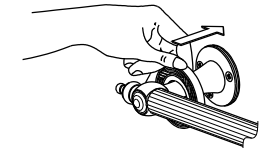


Fig. 4

Cleaning

Clean with a damp cloth only. Avoid using metal or abrasive polishes.

Installation Steps:

1. Locate position on the wall and mark location of the holes.
2. Drill Starter holes (5/64").
3. Mount grab bar to the wall using 2" screws (Enclosed).

This grab bar is designed to be installed on wood bracing, if a proper wood bracing is not available consult your contractor as to the best anchors to use for your specific application some options available are Tile/ masonry anchors, toggle bolts, plastic anchors, metal anchors and drywall anchors.