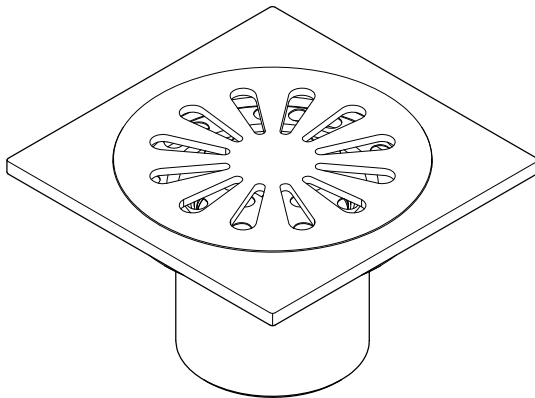
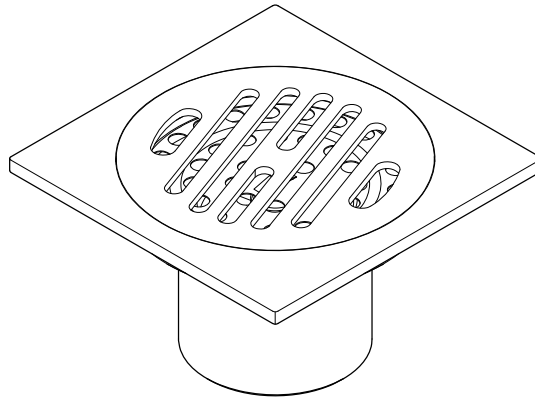


KINGSTON

KITCHEN & BATH

Shower Drain Installation



NOTICE

Failure to follow all directions may cause leaks
which may result in water damage

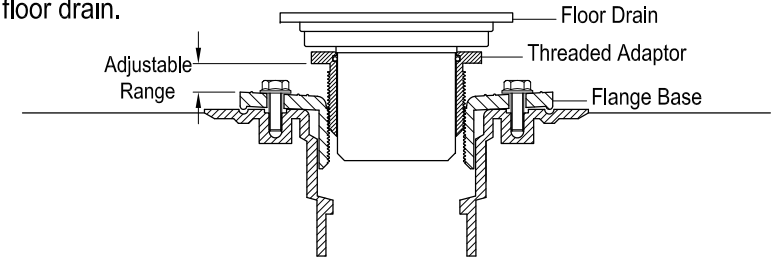
www.kingstonbrass.com
TOLL-FREE CUSTOMER SERVICE: 1-877-2-KBRASS
TECHNICAL SUPPORT E-mail: service@kingstonbrass.com
12775 Reservoir Street, Chino, CA 91710

Before Installation :

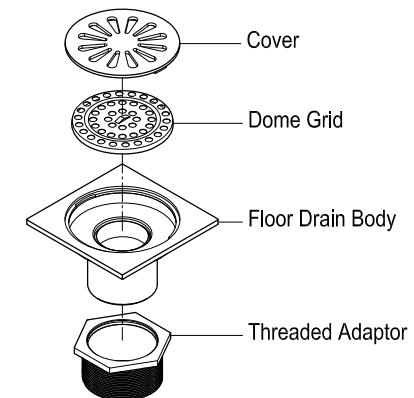
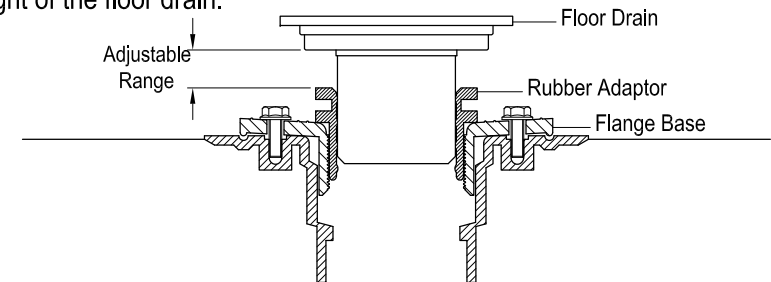
- Please allow a 4" x 4" space on the tile for drain flange.

Installation:

1. Slowly press the floor drain on to a threaded adaptor or a rubber adaptor.
2. If using a threaded adaptor, make sure the shank on the bottom of floor drain is fully pushed in. Turning the threaded adaptor to adjust the installation height of the floor drain.



3. If using a rubber adaptor, make sure the rubber adaptor is fully pushed in the flange base. Gently pull up or press down the floor drain to adjust the installation height of the floor drain.



Care and Maintenance:

- Clean periodically of any debris that has accumulated.
- To clean, remove cover and dome grid, remove any debris present and re-insert all component.