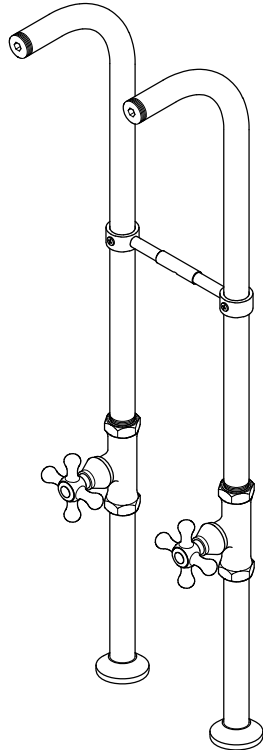





# KINGSTON

KITCHEN & BATH

## Free standing supply lines Installation



### Parts:

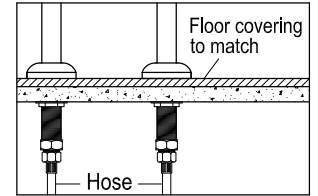
Lock Nut	Washer & Coupling Nut	Washer
		
4 Pcs	2 Pcs	2 Pcs

www.kingstonbrass.com  
 TOLL-FREE CUSTOMER SERVICE: 1-877-2-KBRASS  
 TECHNICAL SUPPORT E-mail: service@kingstonbrass.com  
 12775 Reservoir Street, Chino, CA 91710

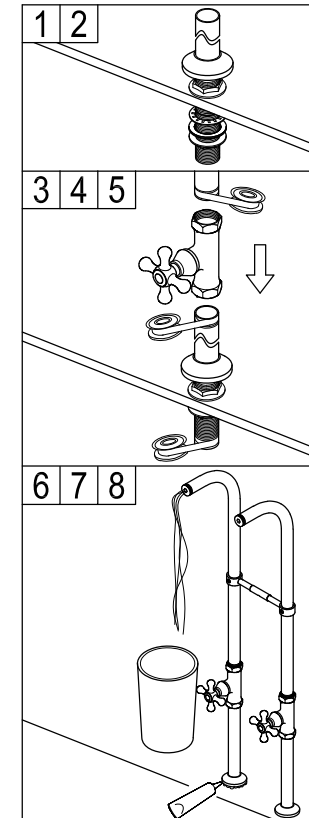
This item is designed to be installed in wood floors. If you have a concrete floor it may be necessary to build a platform to accommodate the inlet connections refer to image on right.

Before starting the installation of your supply lines you should:

- Verify the center to center of your faucet and rough in your supply lines accordingly, flush lines to clear any debris left in the line.
- Allow a 6" minimum clearance below the floor to allow sufficient space for attachment of the supply lines to the intended stub out.
- Drill 1" holes at the rough in location.



### Installation Steps:



1. Insert horizontal bracket into the bottom of the 2 top risers, slide up to the desired level and tighten screws, insert flange on bottom risers.
2. Apply Teflon tape to both ends of the top riser as well as to the top portion of the lower riser.
3. Thread shut-off valve to bottom of top riser and to top portion of lower riser, make sure that the handles on the shut-off valve point in the same direction.
4. Thread locknut to the top of the bottom threads of the lower riser and insert through the pre-drilled holes on the floor.
5. Insert rubber washer and metal washer on the bottom riser, thread locknut and secure both supply lines from below the floor.
6. If your inlet supplies stub-outs are 3/4" apply Teflon tape and thread your intended water supplies, if your inlet supply stub-outs are 1/2" apply Teflon tape to the bottom of lower riser and thread 1/2" adapter (included) apply Teflon tape to 1/2" threads on adapter and thread on your supply stub out.
7. From above the floor apply a bead of silicon based caulking to the bottom of the flange and press to the floor to form a water proof barrier.
8. While holding a bucket at the outlet of the supply lines, open each valve and let water run for 30 seconds, check for leaks.

### Warning!!!

Reshaping, bending or altering supply line or use of nuts or washers not supplied with this kit will void your warranty.  
 Please do not pull or lean on the faucet once it has been installed, this may bend or pull the supply line which may cause a leak resulting in possible water damage.

### Installer:

Please pass this installation manual to homeowner after installation. ©2022-01-T Kingston Brass