

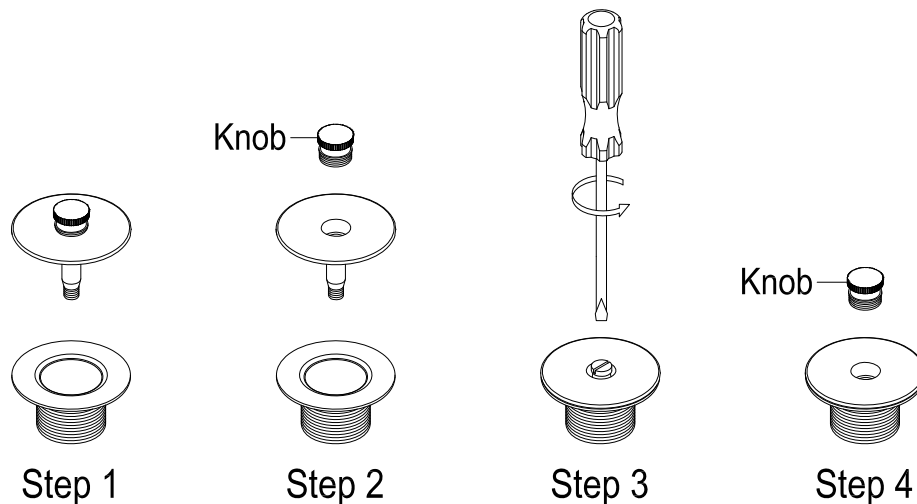
KINGSTON

KITCHEN & BATH

INSTALLATION INSTRUCTIONS Universal Tub Drain Replacement Trim Kit

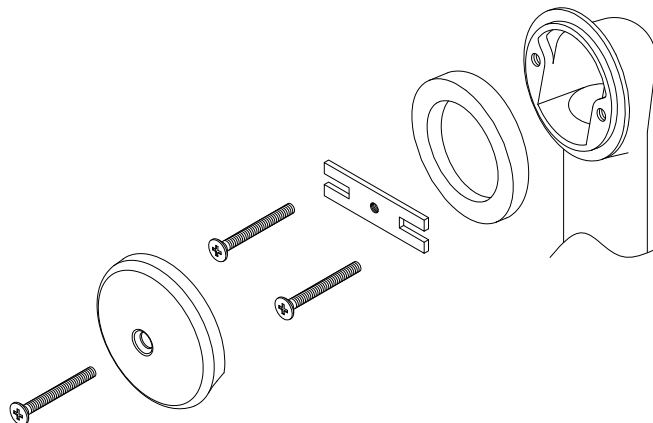
Stopper Plunger Installation:

1. Unthread existing stop plunger (lift & turn or foot stopper) from strainer.
2. Unthread knob from new stop plunger. Then put new stop plunger on strainer.
3. Thread the stem into strainer by using Flat-Head screw driver. (Either 5/16" or 3/8" thread)
4. Thread the knob into the stop plunger.



Universal Face Plate Installation:

If existing face plate is double hole, remove screw and face plate. And reinsert the old screws into threaded holes with "H" adapter as shown in above picture. Make sure the screws are tightened and secured. Lock the new face plate on the overflow with new screw, make sure the open side down. If existing face plate is single hole, just remove the old face plate and screw. Then lock the new face plate on the overflow with new screw. The "H" adapter is not necessary in this position.



www.kingstonbrass.com

TOLL-FREE CUSTOMER SERVICE: 1-877-2-KBRASS

TECHNICAL SUPPORT E-mail: service@kingstonbrass.com

12775 Reservoir Street, Chino, CA 91710

© 2019-10-B Kingston Brass