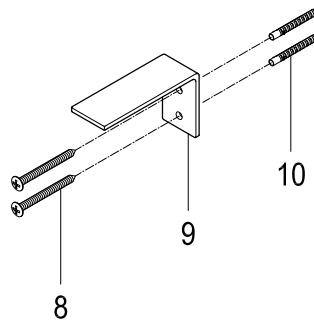
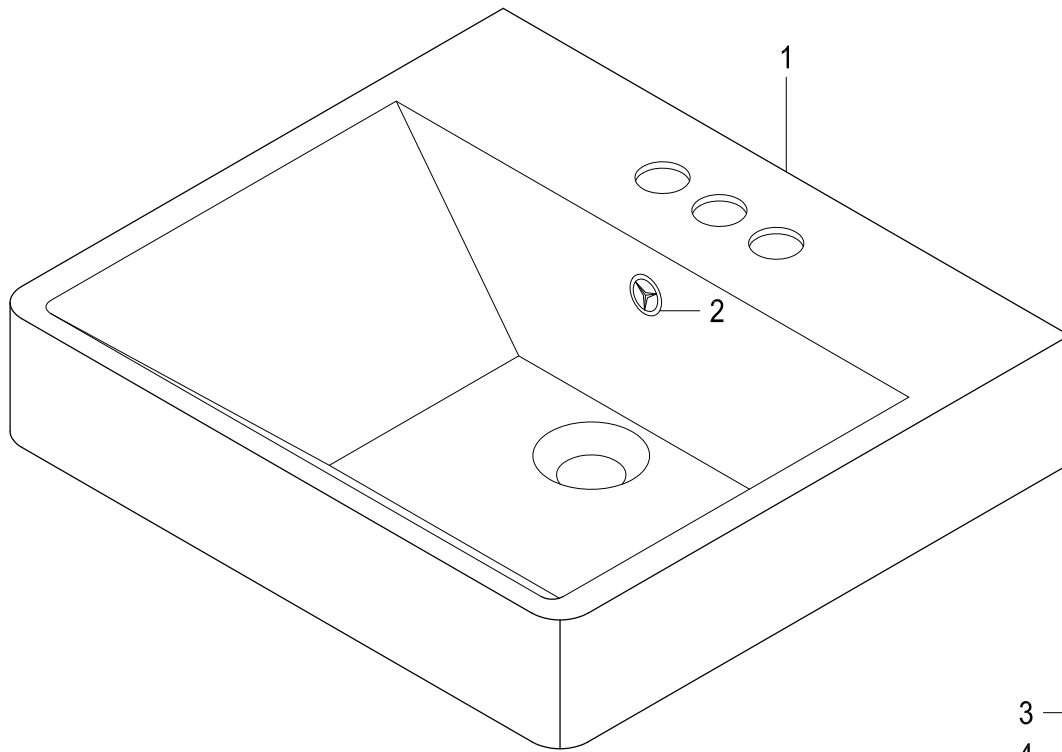


# EV2019W34

## Semi-Recessed Bathroom Sink

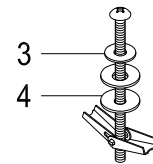
Part #	QTY
1.	1
2.	1
3.	2
4.	2
5.	2
6.	2
7.	2
8.	4
9.	2
10.	4



10

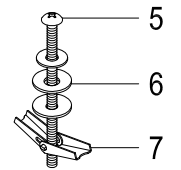
8

9



3

4



5

6

7

