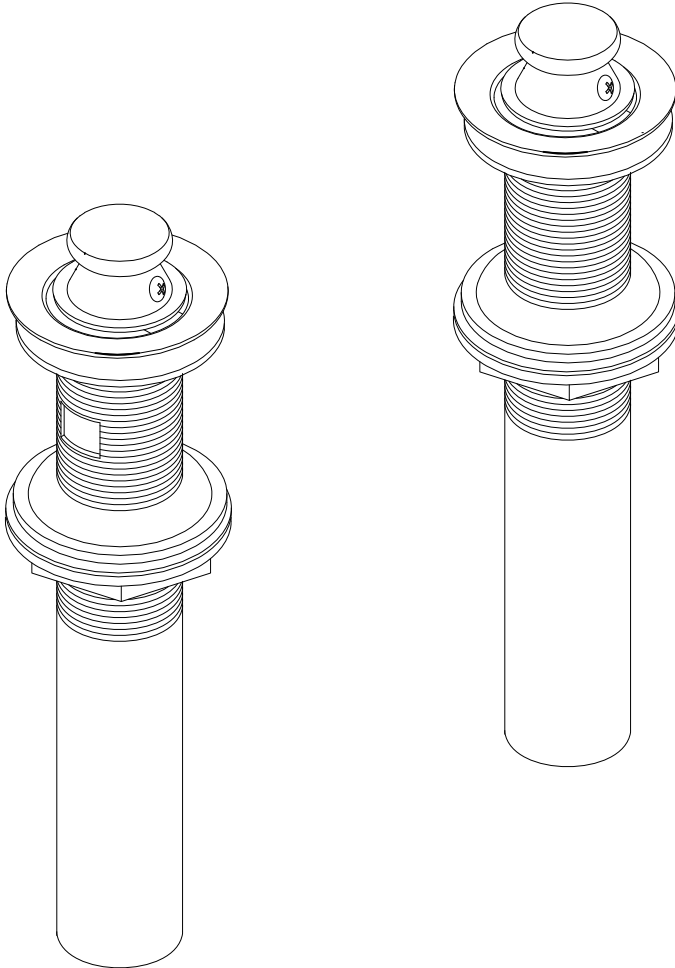


KINGSTON

KITCHEN & BATH



www.kingstonbrass.com

TOLL-FREE CUSTOMER SERVICE: 1-877-2-KBRASS

TECHNICAL SUPPORT E-mail: service@kingstonbrass.com

12775 Reservoir Street, Chino, CA 91710

KINGSTON

KITCHEN & BATH

INSTALLATION INSTRUCTIONS Sink Drain with or without Overflow

Need Tools:



INSTALLATION:

1. Remove the flange (2), stopper (1) and rubber (3) from the drain body (7).
2. Turn the lock nut (6) downward to the lower position of drain body (7), also push plastic washer(5) and rubber gasket (4) downward.
3. Insert drain body (7) upwardly with (4)/(5)/(6) parts through the drain opening from the underside of the sink.
4. Put the rubber washer (3) back onto the flange (2), then slowly thread the flange (2) on to the top of the drain body (7). Make sure the flange (2) is completely threaded in the drain body(7) and firmly fixed on the bottom of sink without any gap between the flange and sink's bottom.
5. Move rubber gasket (4), plastic washer (5) upwardly and tighten up the lock nut (6) with a wrench until the rubber gasket (4) can completely and tightly seal the drain opening beneath the sink.
6. Install stopper (1) back to the flange (2) and tighten up the set screw by a screwdriver.
7. Lift and turn the stopper (1) to the close position of the flange (2), then turn on faucets to full fill water in the sink. Examine and make sure no water comes out from the drain body.
8. Lift and turn the stopper (1) to the open position to drain water, examine to make sure no water leakage around the rubber gasket(4) or lock nut(6). If leakage found, adjust the rubber gasket (4) and re-tighten up the lock nut (6) until no more leakage found.

