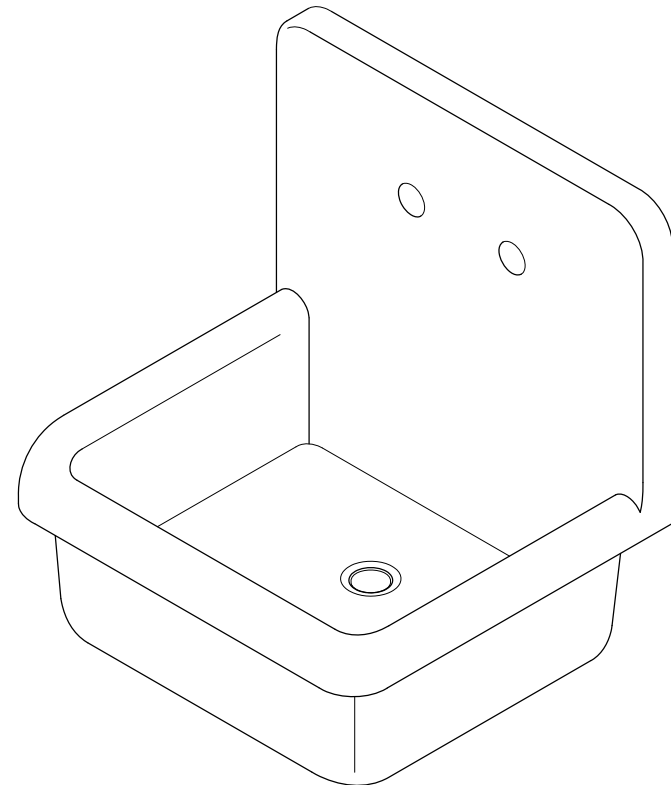


GOURMETIERTM

KINGSTON CREATION



www.kingstonbrass.com
TOLL-FREE CUSTOMER SERVICE: 1-877-2-KBRASS
TECHNICAL SUPPORT E-mail: service@kingstonbrass.com
12775 Reservoir Street, Chino, CA 91710

GOURMETIER™

KINGSTON CREATION

KINGSTON BRASS INSTALLATION INSTRUCTIONS For Use WALL MOUNT SINK

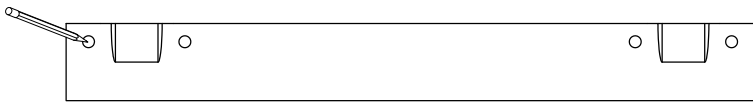
Warning!!!

- This Wall Mount sink is extremely heavy and team lifted required. We recommend you enlist the help of 1 or more person to assist you in this installation.
- Build a wood support structure using 2" x 4" lumber and being careful to allow enough space for faucet installation.

Free standing installation:

STEP 1

Install appropriate cast iron "P" trap at the desired location, place the sink on top of "P" trap, with a pencil mark the top edge of the sink as well as the location of the faucet drillings, remove sink.



STEP 2

Using a level mark the location of the attached hanging bracket based on the line marked on the wall.

STEP 3

Because of the weight of this sink, sink must be secured firmly to wood bracing in the wall, install wood bracing inside the wall as necessary.

STEP 4

Prepare plumbing stub outs at the marked location.

STEP 5

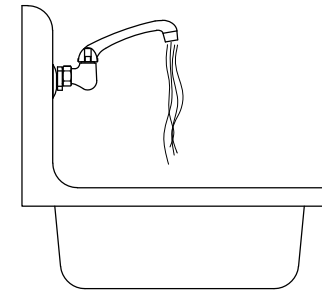
Once wall has been properly prepared, and the wall bracket installed at the marked location, apply a bead of silicone caulking, set sink on top of the "P" trap making sure that the top portion is securely supported by the wall bracket.

STEP 6

Install faucet and strainer.

STEP 7

Open the valves on the faucet and check for leaks.



Cabinet Installation :

STEP 1

Rough-in the stub-outs for the faucet installation, cut countertop as per sinks dimensions.

STEP 2

Apply a bead of silicone caulking around the bottom and back perimeter of the sink and drop in to the desired location, clean excess caulking.

STEP 3

Install faucet and drain.

STEP 4

Open the faucet valves and check for leaks.

