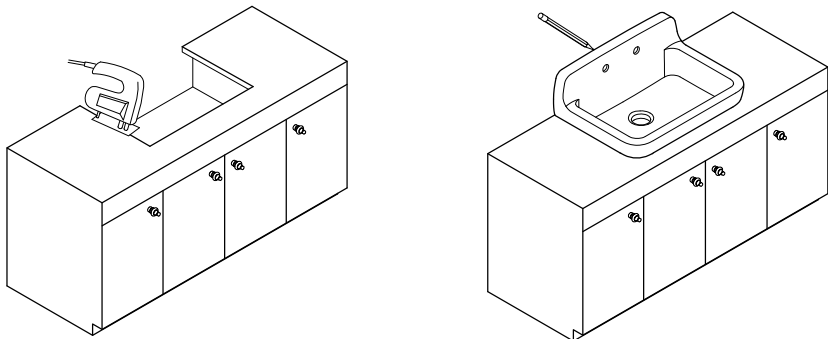
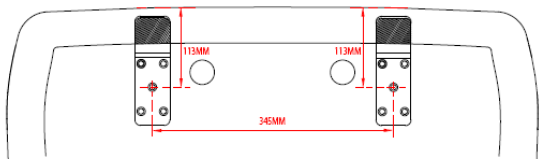


If installing as a farmhouse sink, cut the countertop along the template line, measure the distance between the bottom of the sink and just under the lip and add 1/8" using that dimension cut the front of the cabinet, the sink should be supported by the 2" x 4" support structure, depending on your cabinet configuration, it might be necessary to replace the door with smaller ones.

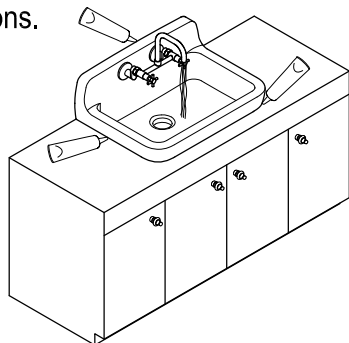


Set the sink at the desired place and mark a horizontal leveled line at where the top of the backsplash will be situated, remove the sink, place template on the wall and align the leveled line, making sure that the sink front is parallel to the front of the counter. Be sure the sink is properly centered, both front to back and side to side.



Mark the position of the holes, if the sink will be secured to wood bracing behind the wall, secure bracket using 3" wood screws, drive in and tighten up the wood screws at the marked locations to secure the bracket onto the wall.

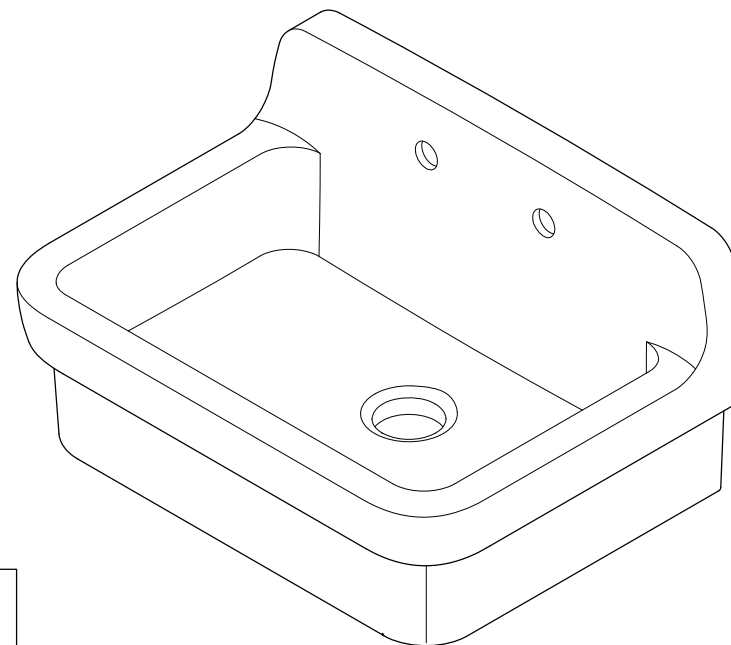
Pre-install the faucet, supply lines and basket strainer on the sink, slide down onto the support brackets and in the opening of the counter, check that the sink is level from side to side and front to back, add wood shims if necessary, once sink has been leveled, fill the gaps using silicone caulking. install trap, Install trap as per manufacturer's instructions.



© 2022-12-T Kingston Brass

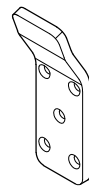
# GOURMETIER™

## KINGSTON CREATION



### Parts:

Top Support Bracket



2 Pcs

www.kingstonbrass.com  
 TOLL-FREE CUSTOMER SERVICE: 1-877-2-KBRASS  
 TECHNICAL SUPPORT E-mail: service@kingstonbrass.com  
 12775 Reservoir Street, Chino, CA 91710

**CAUTION**

Failure to follow all installation directions may cause product to detach from the wall and cause serious injury

	<b>WARNING</b>
	<p><b>Lifting hazard.</b>                  Single person lift could cause injury.                  Use assistance when moving or lifting.</p>

# GOURMETIER™

## KINGSTON CREATION

### INSTALLATION INSTRUCTIONS WALL MOUNT / DROP-IN SINK

This sink is designed to be installed as a drop-in type installation on a cabinet, it can be installed forward on the countertop exposing the apron as a farmhouse sink, or back against the wall.

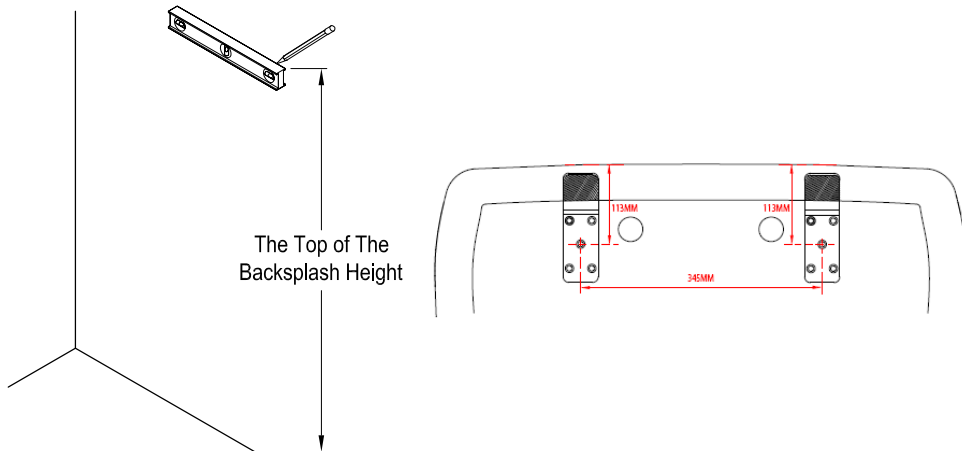
#### Before Installation

- Follow all local building codes.
- Open box and make sure that all the components are complete.
- Because of the weight of this sink it is recommended that you recruit the assistance of a second person.

#### For wall mount installation

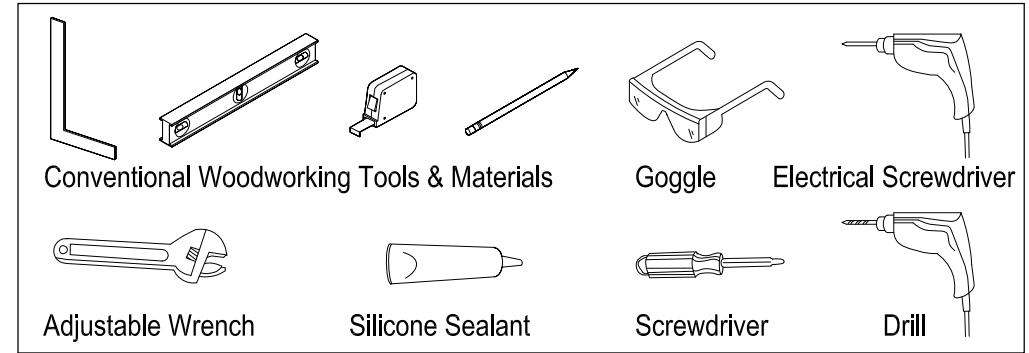
It is recommended that this sink be secured to 2" x 6" lumber bracing on the wall where it is to be installed.

Find the desired location of the sink and mark a vertical center line, measure the desired height of the sink and mark a horizontal leveled line at where the top of the backsplash will be situated, cut out the template, place it on the wall and align horizontal leveled line, making sure that the sink front is parallel to the front of the counter. Be sure the sink is properly centered, both front to back and side to side.

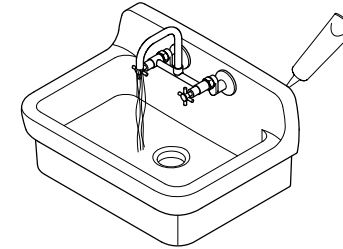


Mark the position of the holes, if the sink will be secured to wood bracing behind the wall, secure bracket using 3" wood screws, drive in and tighten up the wood screws at the marked locations to secure the bracket onto the wall.

#### Need Tools:



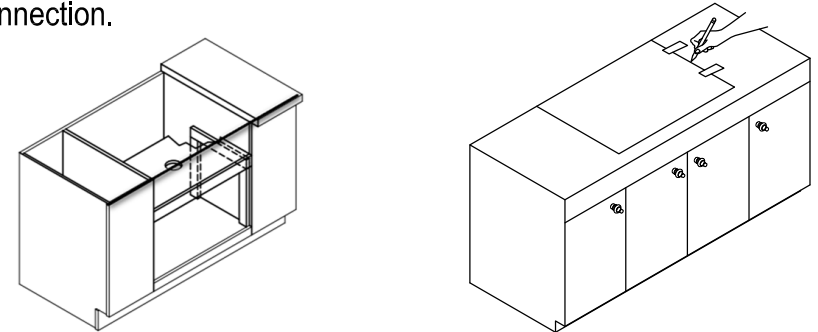
Pre-install the faucet, elbows, supply lines and basket strainer, apply caulking to the back of the sink and slide down onto the support brackets, install trap, Install trap as per manufacturer's instructions.



#### For Drop-in Installation

Measure the sink below the rim flange, cut a perimeter hole on the counter top where the sink is to be installed.

Using 2" x 4" Lumber and 1/2" plywood, build a support structure below the top of the counter, make sure to secure structure to the floor and side walls of the cabinet, and that it is strong enough to support 150 Lbs. Allow space for the drain connection.



Place template on the countertop, making sure that the sink front is parallel to the front of the counter. Be sure the sink is properly centered, both front to back and side to side. Check for adequate clearance relative to cabinet walls and pull-out or tilt-down drawers. Tape the template in place. Trace around the template.