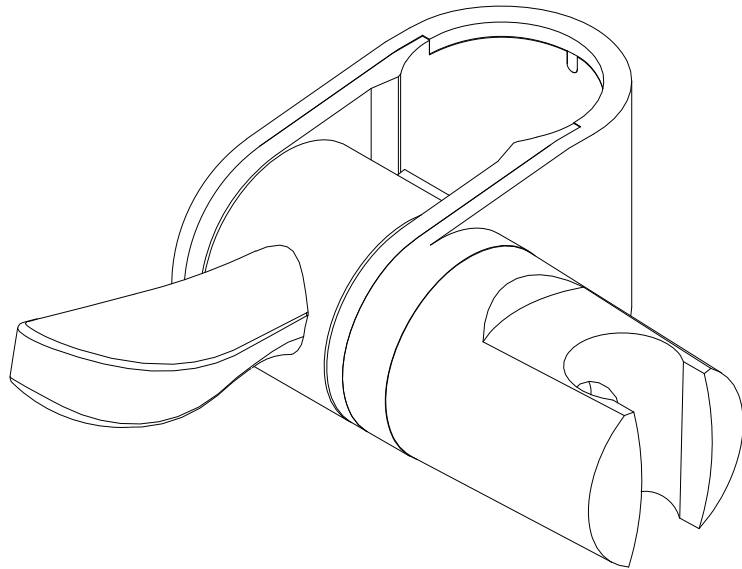


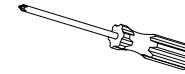
# KINGSTON

KITCHEN & BATH

## Add-On Shower Holder for Grab Bar Installation

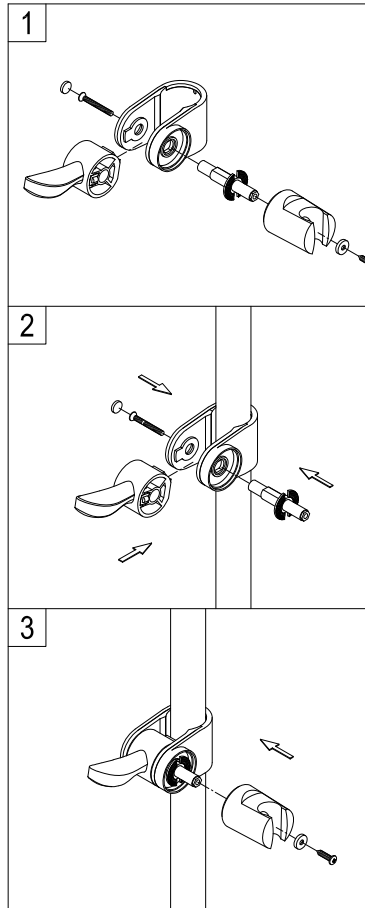


### Need Tools:



Phillips Screwdriver

### Installation:



1. To disassemble the Add-On Holder before install to the grab bar.

2. Gently install the handle and white insert into the bracket with the long Flathead screw. Then Covered the screw hole with a black rubber cap.

3. Placed the shower holder into the bracket and white cap into holder with Hexagon shape facing down. Then secure the white cap with Round head set screw.

www.kingstonbrass.com  
TOLL-FREE CUSTOMER SERVICE: 1-877-2-KBRASS  
TECHNICAL SUPPORT E-mail: [service@kingstonbrass.com](mailto:service@kingstonbrass.com)  
12775 Reservoir Street, Chino, CA 91710