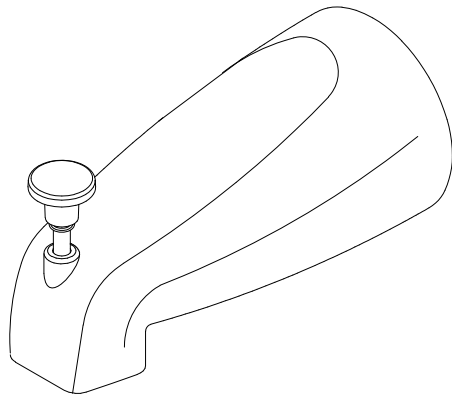
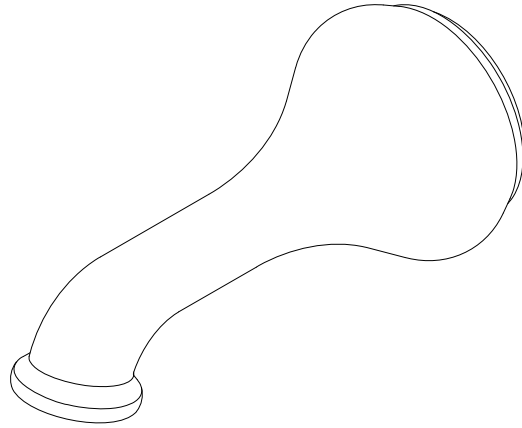


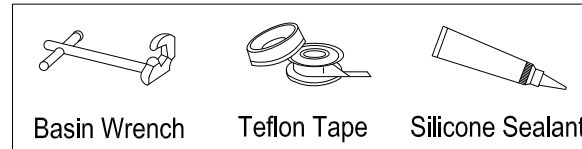
KINGSTON

KITCHEN & BATH

Tub Spout Installation



Need Tools:



Note: This product is used to illustrate installation. Your product may be a different style but will install in the same way.

<p>1 1/2" IPS 4-1/8" max</p>	<p>1 1/2" IPS 4-1/8" max</p>	<p>1 1/2" IPS 3/4" max</p>
<p>1. The stub-out pipe for spout installation must be at the length illustrated measured from the finished wall surface.</p>	<p>1. The stub-out pipe for spout installation must be at the length illustrated measured from the finished wall surface.</p>	<p>1. The stub-out pipe for spout installation must be at the length illustrated measured from the finished wall surface.</p>
<p>2</p>	<p>2</p>	<p>2</p>
<p>2. Apply pipe Teflon tape on the pipe nipple threads.</p>	<p>2. Apply pipe Teflon tape on the pipe nipple threads.</p>	<p>2. Apply pipe Teflon tape on the pipe nipple threads.</p>
<p>3</p>	<p>3</p>	<p>3</p>
<p>3. Slide the spout over the pipe. With the spout tight to the wall, tighten the set screw to the pipe.</p>	<p>3. Slide the spout and flange over the pipe. With the spout tight to the wall, tighten the set screw to the pipe.</p>	<p>3. Slide the spout over the pipe. With the spout tight to the wall, tighten the set screw to the pipe.</p>

TOLL-FREE CUSTOMER SERVICE: 1-877-2-KBRASS
 TECHNICAL SUPPORT E-mail: service@kingstonbrass.com
 12775 Reservoir Street, Chino, CA 91710