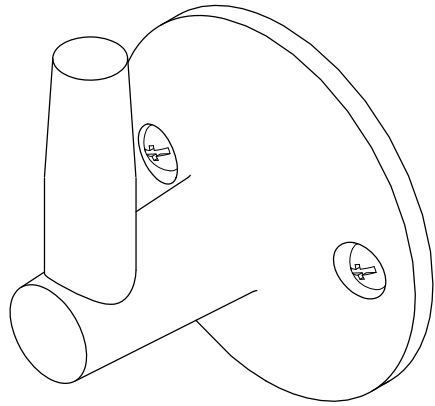


KINGSTON

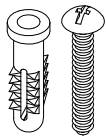
KITCHEN & BATH

Wall Bracket Installation



Parts:

Mounting Screw
&
Anchor



2 Pcs

www.kingstonbrass.com
TOLL-FREE CUSTOMER SERVICE: 1-877-2-KBRASS
TECHNICAL SUPPORT E-mail: service@kingstonbrass.com
12775 Reservoir Street, Chino, CA 91710

TOOLS REQUIRED



Flathead Screwdriver



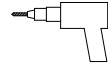
Phillips Screwdriver



Marking Pencil



Hammer



Power Drill

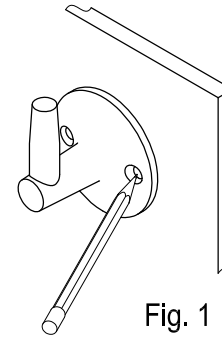


Fig. 1

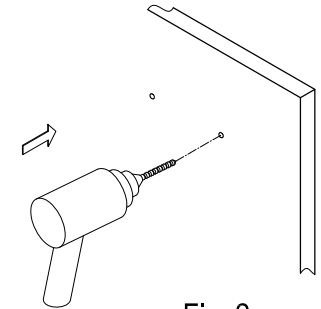


Fig. 2

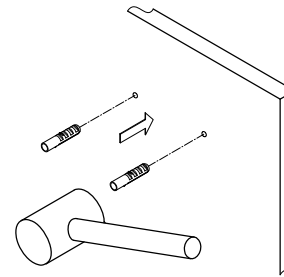


Fig. 3

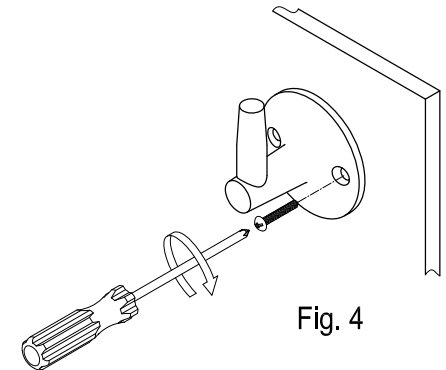


Fig. 4

Installation Steps:

Step 1. Locate where you would like to install the wall bracket.

Place a base onto the wall and mark the location of the mounting screws (fig 1).

Step 2. Drill holes at the marked locations (fig 2).

Step 3. Insert anchors into the holes with a hammer until flush with the wall (fig 3).

Step 4. Screw the wall bracket to wall with mounting screw (fig 4).

Cleaning

Clean with a damp cloth only.

Avoid using metal or abrasive polishes.