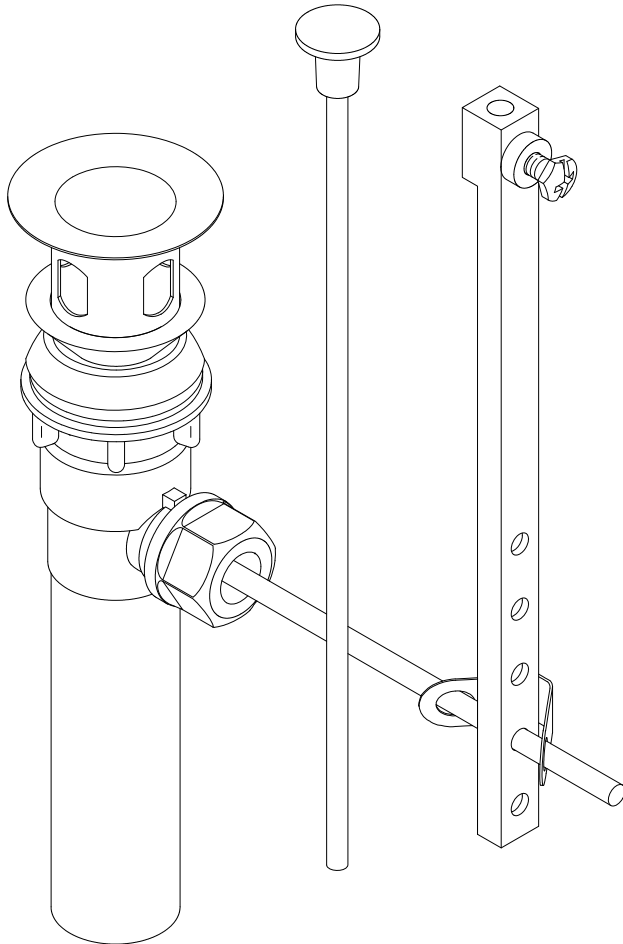


KINGSTON

KITCHEN & BATH



www.kingstonbrass.com

TOLL-FREE CUSTOMER SERVICE: 1-877-2-KBRASS

TECHNICAL SUPPORT E-mail: service@kingstonbrass.com

12775 Reservoir Street, Chino, CA 91710

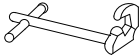
KINGSTON

KITCHEN & BATH

INSTALLATION INSTRUCTIONS

Retail Pop-Up

Need Tools:



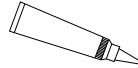
Basin Wrench



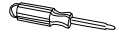
Adjustable Wrench



Teflon Tape



Silicone Sealant



Screwdriver

INSTALLATION:

1. Remove the flange (2), plug (1), rubber gasket (3) (4), washer (5), locknut (6) from the drain body (8).
2. Insert rubber gasket (3) back on the flange (2) make sure the tapered surface of rubber gasket (3) is facing down. Then insert the flange (2) with the gasket (3) into the drain opening of the sink and its thread end comes out and exposed beneath the sink, as an option you may use silicone based caulking instead of rubber gasket (3), make sure to tighten securely as to prevent any water from leaking.
3. Assemble rubber gasket (4), washer (5) and locknut (6) on to the thread end of flange (2) from the underside of sink. Make sure the taper surface of rubber gasket (4) is facing up.
4. Hand-tightening up the drain body (8) onto the thread end of the flange (2). The sealing washer (7) should be present inside the drain body before tightened up.
5. Move up rubber gasket (4), washer (5) and tighten up the locknut (6) with a wrench until the rubber gasket (4) can completely and tightly seal the drain opening beneath the sink. Before tightening up, make sure the side hole of drain body (8) positioned toward the rear wall.
6. Insert the plug (1) into the flange (2). Make sure the plug's bottom hole is aligning with and the side with bottom hole is near the side hole of drain body (8).
7. Remove the nut (11) from the side hole of drain body.
Make sure a plastic bushing (9) is present on the side hole and its concave surface is facing out. Remove clip (12) from ball rod (10).
8. Insert the short side of ball rod (10) in the side hole of drain body (8), making sure the rod goes through the bottom hole of plug (1).
Connect the nut (11) onto the side hole and tighten it by hand.
9. Move the ball rod (10) up and down to test the plug (1) can open and close smoothly.
10. Connect pop-up rod (15) and ball rod (10) with lift rod strap (13).
Try and test the proper connection position, then fix them by clip (12) and set screw (14) tightening.
11. Pull up the pop-up rod (15) to the close position of the plug (1), then turn on the faucet to full fill water in the sink. Examine to make sure no water comes out from the drain body (8).
12. Push down the pop-up rod (15) to the open position of plug (1) to drain water.
Examine to make sure no water leakage around the rubber gasket (4) or side hole of drain body. If leakage found, adjust the rubber gasket (4), re-tighten up the locknut (6) or the nut (11) on side hole until no leakage found

