

# KINGSTON

KITCHEN & BATH

## INSTALLATION INSTRUCTIONS

### Washing Machine Valves

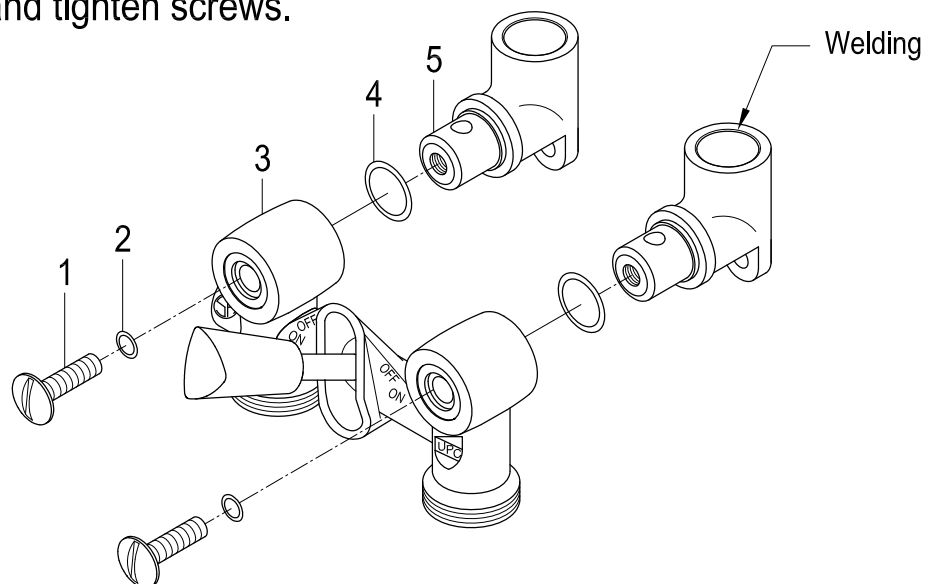
Kingston Brass always recommends that plumbing products be installed by a Licensed plumber.

#### BEFORE BEGINNING INSTALLATION:

- This Kingston Brass faucet is designed to be installed in a 1/2" copper (sweat) type of installation.
- Flush Supply lines of all debris.
- Shut off Supply lines.
- Faucet installation.

#### Instructions:

1. Rough in copper pipe supply lines at a 2-1/2" center to center distance, your KF1000 faucet maybe roughed in from any angle; please insure that above center to center dimension is preserved.
2. Disassemble valve by loosening front screws (1), separate valve body (3) and remove O-rings from inlets.
3. Sweat inlets (5) onto copper pipe rough in, making sure to maintain a 2-1/2" center to center distance.
4. Insert O-rings onto inlets (5) and attach valve body (3), make sure O-rings are still in place on screw and tighten screws.



[www.kingstonbrass.com](http://www.kingstonbrass.com)

TOLL-FREE CUSTOMER SERVICE: 1-877-2-KBRASS

TECHNICAL SUPPORT E-mail: [service@kingstonbrass.com](mailto:service@kingstonbrass.com)

12775 Reservoir Street, Chino, CA 91710