

KINGSTON BRASS

THE TRADITION OF FINE BRASS

Installation Instructions For Use With KB's Washing Machine Valves

Kingston Brass always recommends that plumbing products be installed by a Licensed plumber.

BEFORE BEGINNING INSTALLATION

This Kingston Brass faucet is designed to be installed in a 1/2" copper (sweat) type of installation.

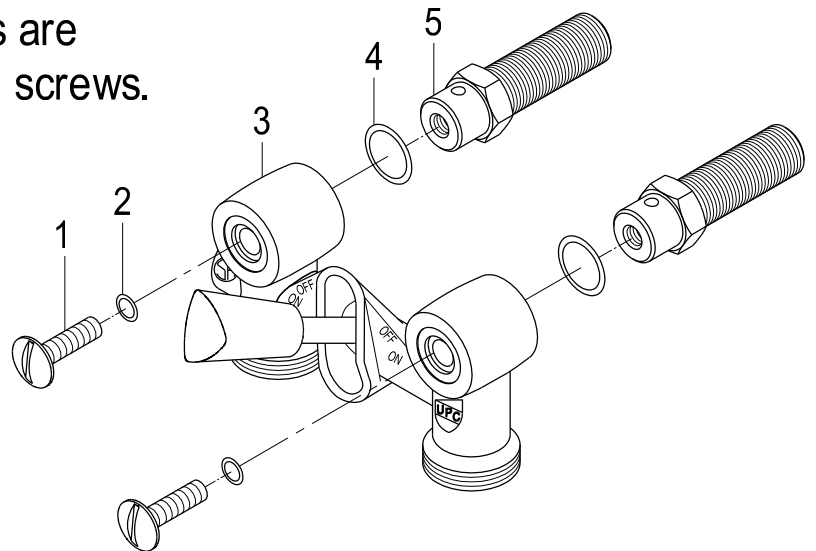
Flush Supply lines of all debris

Shut off Supply lines.

Faucet installation

Instructions:

1. Rough in copper pipe supply lines at a 2-1/2" center to center distance, your KF2002 faucet maybe roughed in from any angle; please insure that above center to center dimension is preserved.
2. Disassemble valve by loosening front screws (1) , separate valve body (3) and remove O-rings from inlets.
3. Sweat inlets (5) onto copper pipe rough in, making sure to maintain a 2-1/2" center to center distance.
4. Insert O-rings onto inlets (5) and attach valve body(3), make sure O-rings are still in place on screw and tighten screws.



www.kingstonbrass.com

TOLL-FREE CUSTOMER SERVICE: 1-877-2-KBRASS

TECHNICAL SUPPORT E-mail: service@kingstonbrass.com

12775 Reservoir Street, Chino, CA91710