

KINGSTON

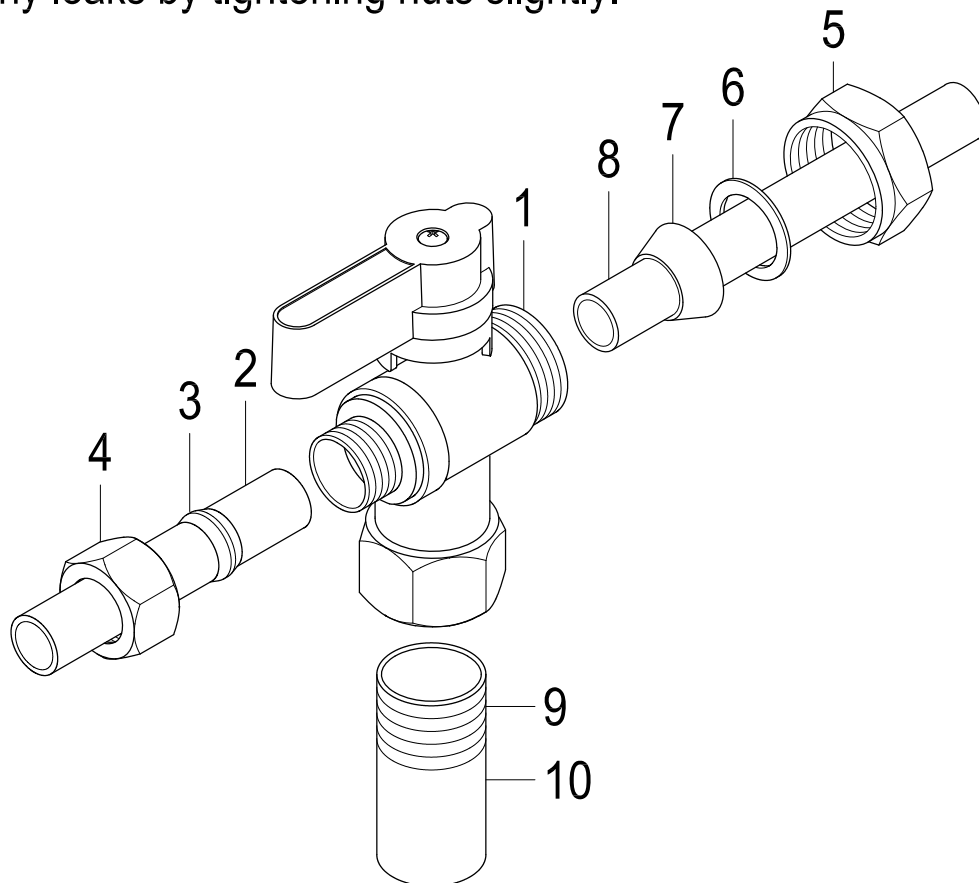
KITCHEN & BATH

INSTALLATION INSTRUCTIONS

Angle & Straight Stop

Instructions:

1. Place nut (4) and ring (3) on tube (2).
2. Insert tube (2) into valve.
3. Wrench tighten nut (4) onto valve.
4. Apply thread sealant tape to threads (9).
5. Screw valve body (1) onto pipe (10).
6. Place nut (5), metal washer (6) and rubber washer (7) on tube (8).
7. Insert tube (8) into valve.
8. Wrench tighten nut (5) onto valve.
9. Stop any leaks by tightening nuts slightly.



www.kingstonbrass.com

TOLL-FREE CUSTOMER SERVICE: 1-877-2-KBRASS

TECHNICAL SUPPORT E-mail: service@kingstonbrass.com

12775 Reservoir Street, Chino, CA 91710