

# KINGSTON

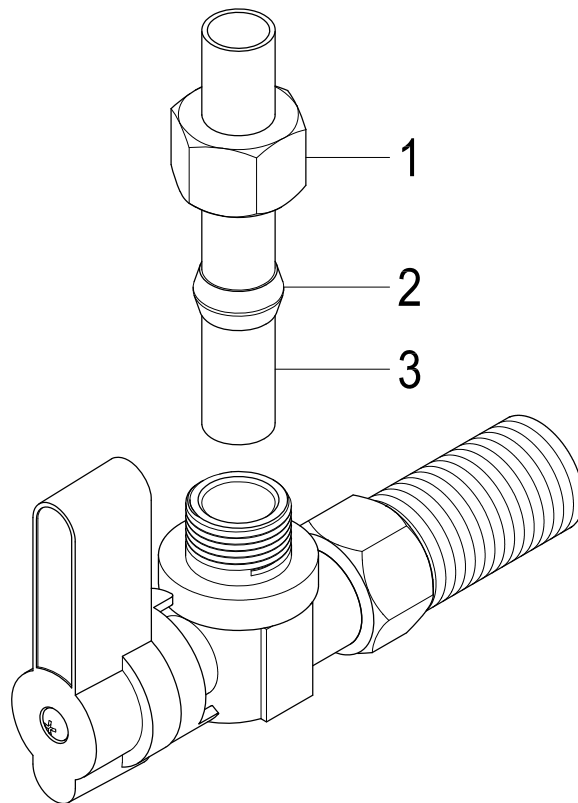
KITCHEN & BATH

## INSTALLATION INSTRUCTIONS

### Angle Stop

#### Instructions:

1. Apply Teflon tape to inlet and outlet, thread valve to a 1/2" FIP stub-out.
2. Place nut (1) and ring (2) on tube (3).
3. Insert tube (3) into valve.
4. Wrench tighten nut (1) onto valve.
5. Stop any leaks by tightening nuts slightly.



[www.kingstonbrass.com](http://www.kingstonbrass.com)

TOLL-FREE CUSTOMER SERVICE: 1-877-2-KBRASS

TECHNICAL SUPPORT E-mail: [service@kingstonbrass.com](mailto:service@kingstonbrass.com)

12775 Reservoir Street, Chino, CA 91710