

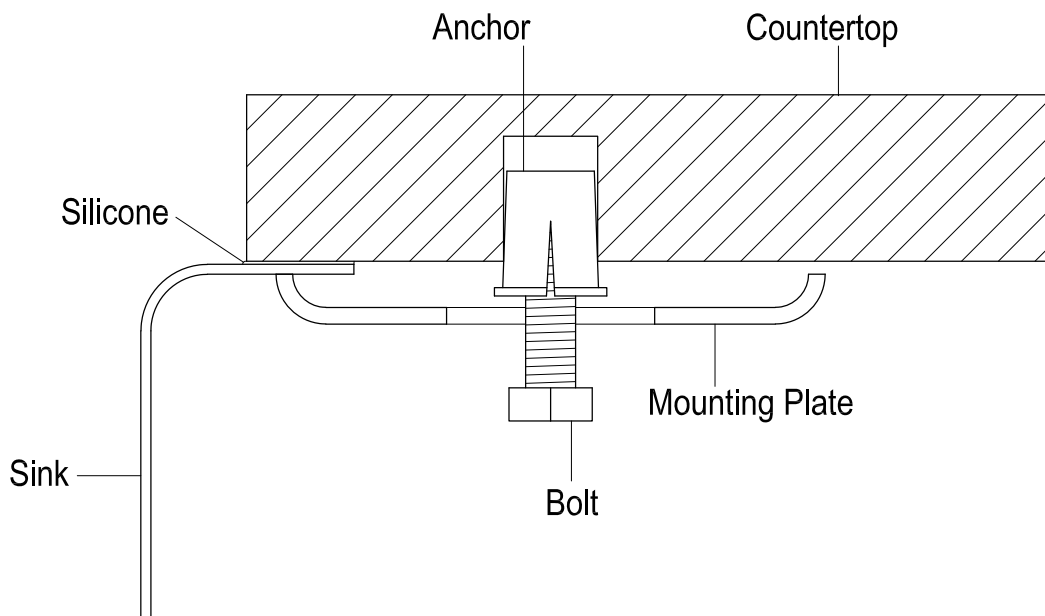
KINGSTON

KITCHEN & BATH

INSTALLATION INSTRUCTIONS UNDERMOUNT CLIP FOR STAINLESS STEEL SINK

Installation:

1. Drill evenly spaced 7/16" holes to insert anchors, generally 2~1 on the short side and 3~2 on each long side.
2. Insert anchor.
3. Add a bead of silicone-based caulking around the perimeter of the sink and place sink at the desired location.
4. Place plates with the curved end towards the sink.
5. Thread bolts until the sink is firmly secure.
6. Clean any excess caulking.



www.kingstonbrass.com

TOLL-FREE CUSTOMER SERVICE: 1-877-2-KBRASS

TECHNICAL SUPPORT E-mail: service@kingstonbrass.com

12775 Reservoir Street, Chino, CA 91710