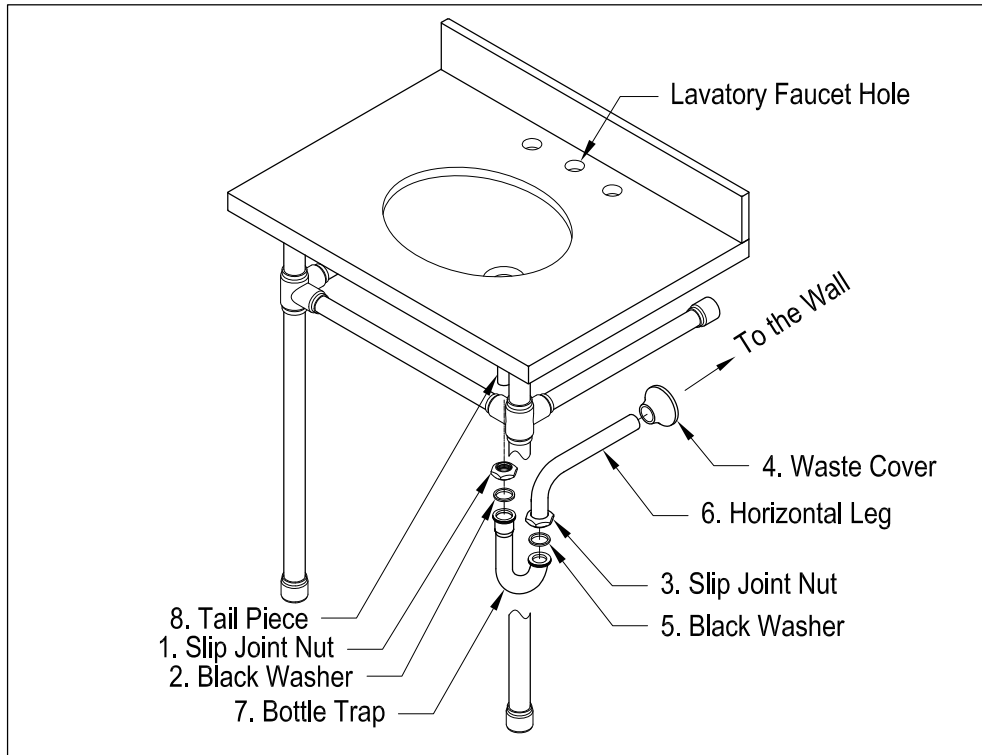


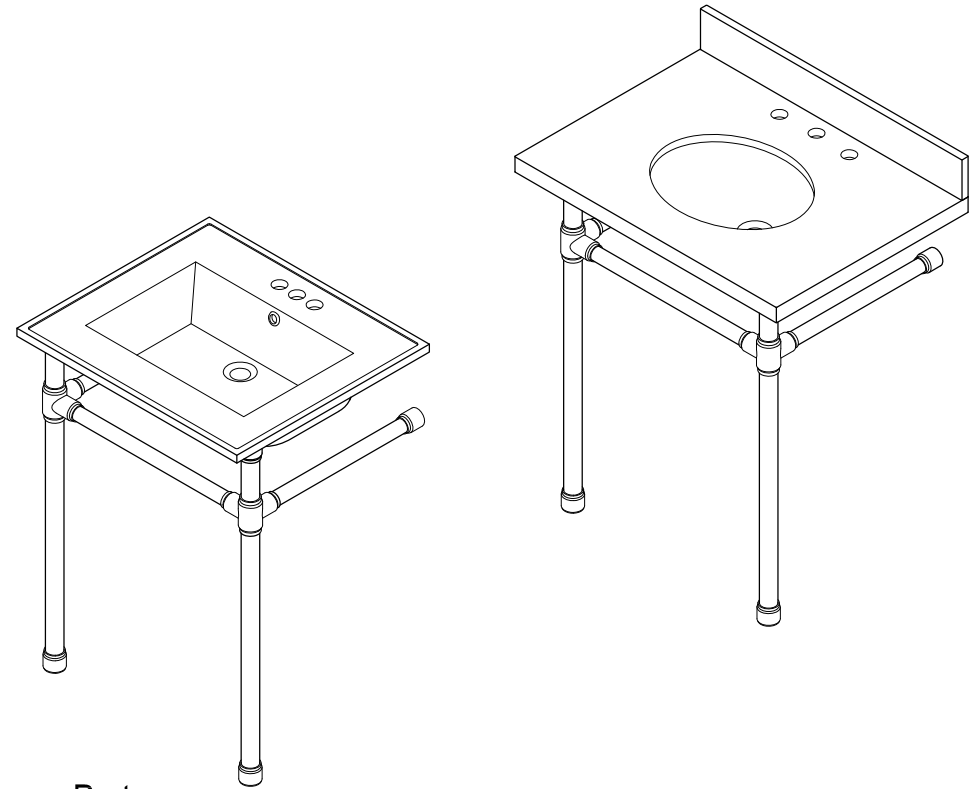
P-Trap Installation:




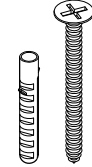
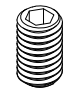
1. Remove horizontal leg and slip joint nut from bottle trap.
2. Apply Teflon tape to all exposed threads.
3. Insert slip joint nut (3) and waste cover (4) onto horizontal leg (6).
4. Insert horizontal leg into wall waste opening, do not tighten.
5. Insert black washer (2) and slip joint nut (1) onto tail piece (8).
6. Attach bottle trap (7) to tail piece and hand tighten slip joint nut (1).
7. Align bottle trap with horizontal leg and tail piece, at this point it may be necessary to cut part of tail piece or part of horizontal leg to obtain proper alignment.
8. After all components have been properly aligned, insert horizontal leg making sure to insert black washer (5) before tightening slip joint nut (3).
9. Thread both slip joint nuts onto bottle trap and tighten along with slip joint securing horizontal leg to wall waste opening.
10. Check for leakage by opening faucet and letting water run for at least 45 seconds.

Cleaning Instructions: Wipe this whole set off with warm water and a soft cloth. Do not use soaps, cleansers, or brass cleaners as they will disintegrate the protective coating and leave the brass exposed therefore causing tarnishing.

FAUCETURE



Parts:

Screw	Mounting Screw & Anchor	Floor Pin
		
6 Pcs	2 Pcs	2 Pcs

www.kingstonbrass.com

TOLL-FREE CUSTOMER SERVICE: 1-877-2-KBRASS
 TECHNICAL SUPPORT E-mail: service@kingstonbrass.com
 12775 Reservoir Street, Chino, CA 91710

FAUCETURE

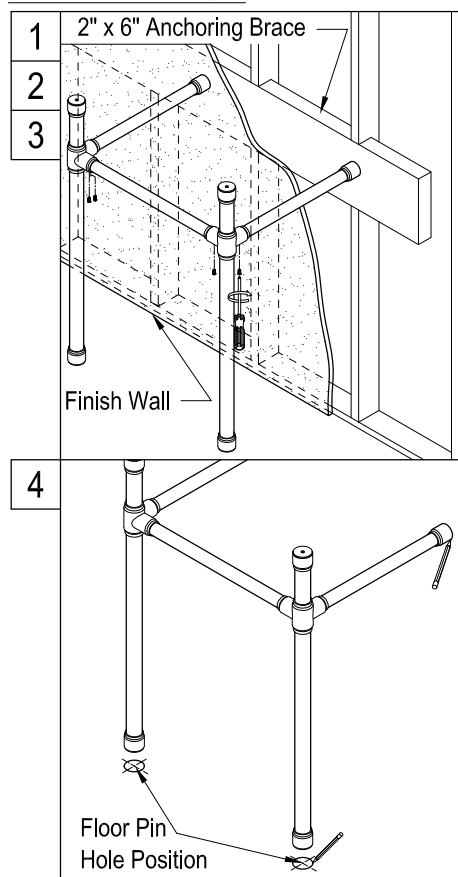
INSTALLATION INSTRUCTIONS

Console Sink Legs

Before Installation :

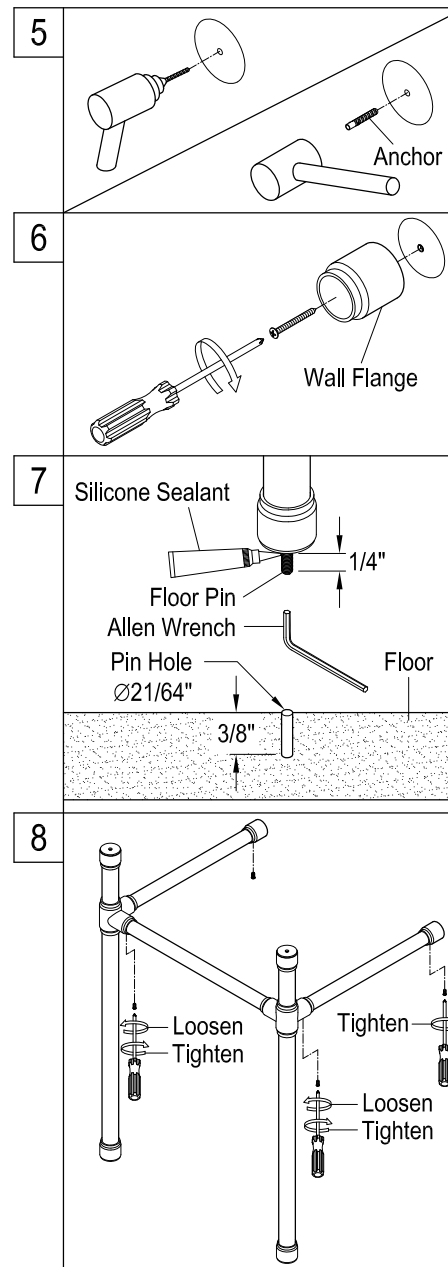
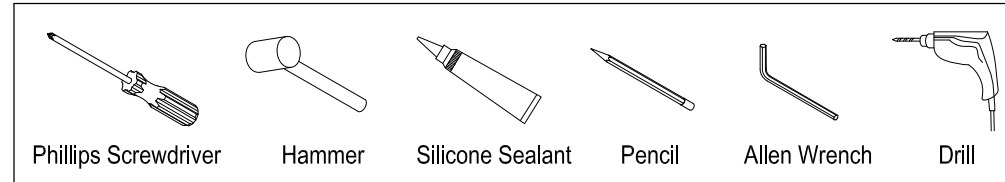
1. Before beginning the installation of your console pedestal basin, it is important to identify the type of wall where the pedestal will be installed and prepare the installation location accordingly.
2. Install an anchoring brace in the wall prior to installing the drywall, this can be a 2" x 6" piece of wood that will fit between the two studs, then install drywall and finish as usual. Due to the excessive weight of this pedestal it should not be mounted on drywall unless it is properly secured to the anchoring brace.
3. For safety concern, make sure your sink has proper wall mounting parts or brackets to fix the sink on wall.
4. For maximum weight capacity, we recommend that you can use our bracket # VSPLBRKT as shown in the last page.

Installation Step :



1. Join the two vertical leg supports by inserting the horizontal crossbar into the leg support tees, and secure by tightening screw from underneath.
2. Insert the two horizontal short arms (wall support arm) into the leg support tees, and secure by tightening screw from underneath.
3. Place the leg support assembly at the location where the console basin will be installed. Adjust to make sure the vertical legs are plumb and horizontal arms are level.
4. Use pencil to mark the locations of drill holes for wall support flanges and floor support flanges. Remove the leg support assembly and drill the holes to install the anchors on the wall. If you want to fix the legs on the floor, drill pin holes $\varnothing 21/64"$ x $3/8"$ deep on the floor.

Need Tools:



5. Remove the leg support assembly and install all the anchors on the wall with a hammer.
6. Install wall flanges to wall and tighten with screw driver.
7. If you choose to fix the legs on the floor, apply silicone sealant on one threaded end of the floor pin, secure it into the bottom of vertical legs with an Allen wrench. Make sure the floor pin protrude $1/4"$ from the bottom surface. Move and adjust the position of the leg support assembly, so the two floor pins can completely go into the drilled holes on the floor. Loosen the screws of the support tees for the short arms. So the short arms can properly fit into wall flanges.
8. Then secure the leg support assembly to the wall by tightening all the screws on the wall flanges and the support tees.

FAUCETURE

INSTALLATION INSTRUCTIONS

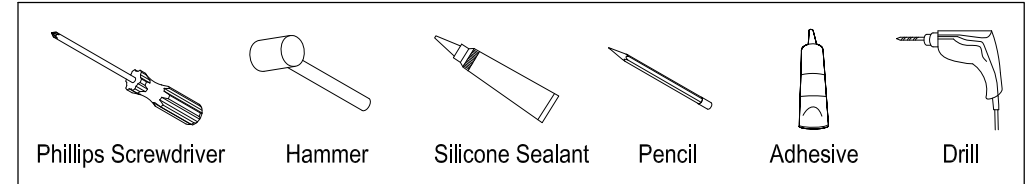
CONSOLE SINK

Granite/Marble Care & Maintenance

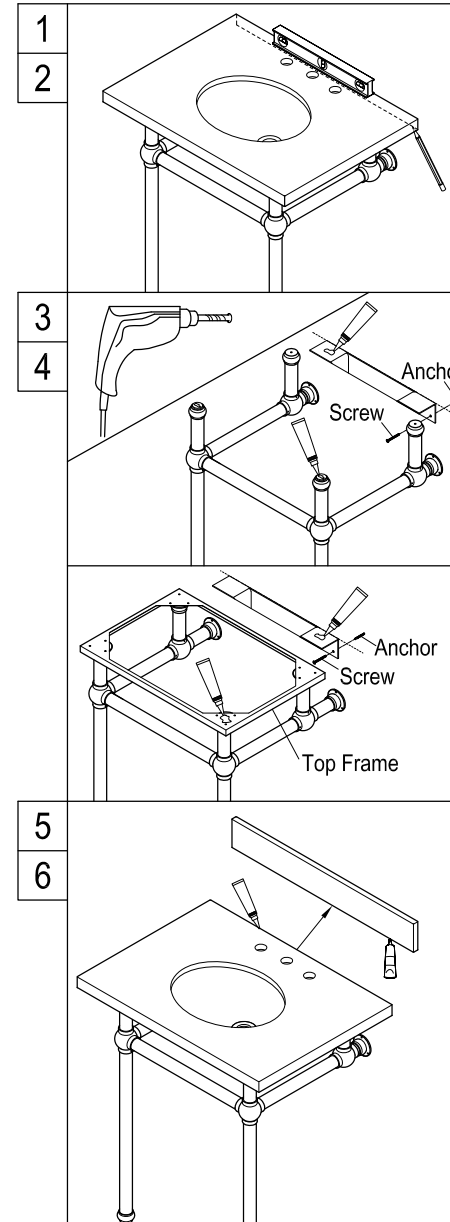
Your new granite/marble vessel top has been factory sealed and polished to a smooth glass finish. In order to maintain the surface and keep it looking fresh and natural, we recommend the following procedures:

1. All stone products require a resealing at least once a year. Since your top has already been sealed at the factory. You will need to schedule your top for resealing accordingly.
2. Before applying the sealer, the exposed areas should be completely clean and dry.
3. For routine maintenance and cleaning, we recommend Stone Care's "Clean Encounters." The cleaner should be used weekly and more frequently with heavier than usual use or for cleaning of chemicals, such as those commonly found in the bathroom. Be sure to follow the instructions on the container.
4. To keep your granite/marble vessel top hygienically clean, we recommend Stone Care's "Counteriffic" on a weekly basis. This spray disinfectant will kill all types of bacteria and is FDA and EPA approved for food handling surfaces.
5. Liquid spills, such as alcohol, medications, etc should be cleaned up promptly. Some liquids with high-acid content can etch granite/marble surfaces if left for any length of time. Popular products that should be promptly cleaned up are: shaving cream, toothpaste, perfume, cologne, nail polish remover, hair coloring and perm products, shampoo, drain opener, and toilet bowl cleaner.
6. Place protective pads on the bottoms of any heavy objects, such as pottery, appliances, or other objects that may scratch the granite/marble surface.
7. Avoid abrasive cleaners or rough cleaning pads. If necessary, a soft buffing pad can be used.
8. Use coasters under drinking glasses to prevent glass rings on the surface.
9. Do not stand on the granite/marble top to fix overhead lights or other items

Need Tools:



Installation Step :



1. With the help of a second person gently place basin on top of pedestal and level.
2. Mark the location of the mounting bracket holes.
3. Remove basin, drill holes for anchors at the marked locations and secure the pedestal and the bracket onto the wall.
4. Apply silicone sealant on the top surface of bracket and the tops of the vertical legs.
5. Place your granite/marble top on the vertical legs and the top of bracket, make sure its back edge is completely against wall. Apply silicone sealer along the back edge of granite/marble top.
6. If you plan to use the provided backsplash, apply a construction adhesive to the bottom and back of the backsplash and push firmly against the wall. Make sure that the wall is clean, dry, smooth, and free of any loose paint or wallpaper before installing backsplashes.

CAUTION!!!!:

Please make sure the faucet you have selected will not interfere with the backsplash. In some installations, the base of your faucet might be too large in diameter to allow for back splash installation.