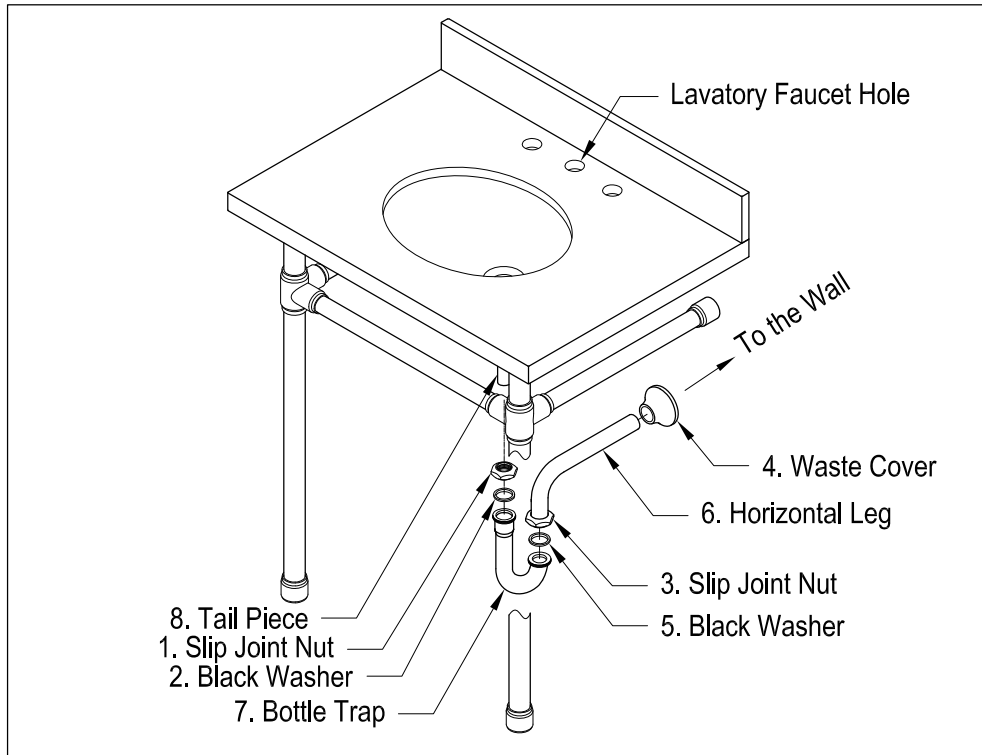


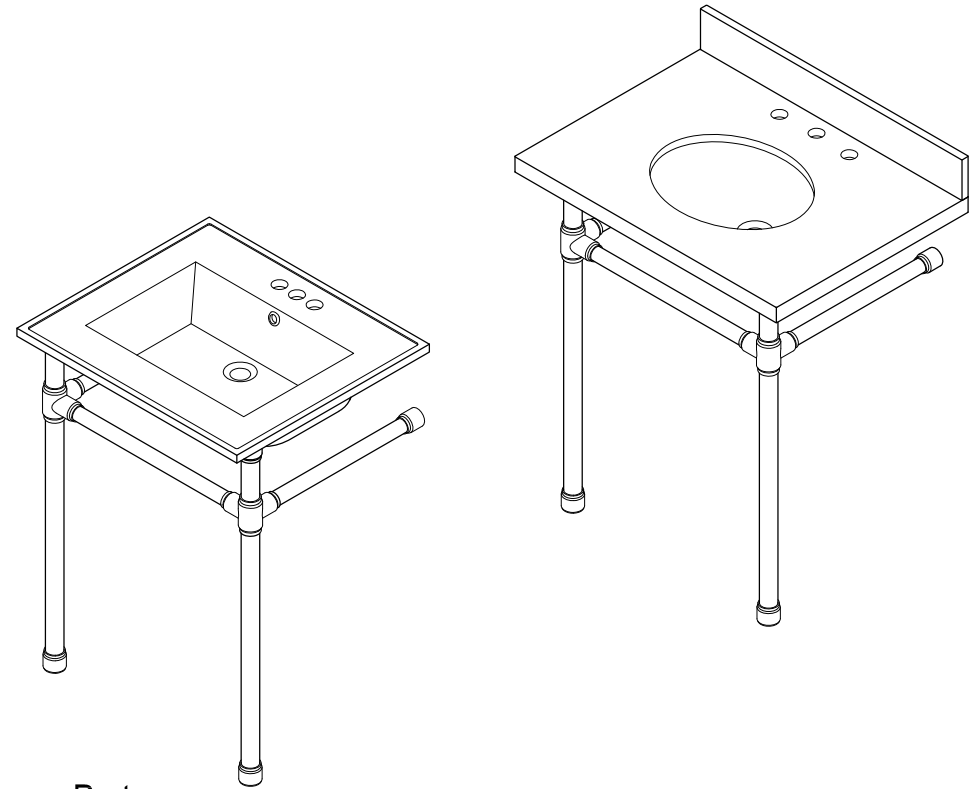
P-Trap Installation:




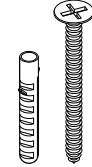
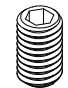
1. Remove horizontal leg and slip joint nut from bottle trap.
2. Apply Teflon tape to all exposed threads.
3. Insert slip joint nut (3) and waste cover (4) onto horizontal leg (6).
4. Insert horizontal leg into wall waste opening, do not tighten.
5. Insert black washer (2) and slip joint nut (1) onto tail piece (8).
6. Attach bottle trap (7) to tail piece and hand tighten slip joint nut (1).
7. Align bottle trap with horizontal leg and tail piece, at this point it may be necessary to cut part of tail piece or part of horizontal leg to obtain proper alignment.
8. After all components have been properly aligned, insert horizontal leg making sure to insert black washer (5) before tightening slip joint nut (3).
9. Thread both slip joint nuts onto bottle trap and tighten along with slip joint securing horizontal leg to wall waste opening.
10. Check for leakage by opening faucet and letting water run for at least 45 seconds.

Cleaning Instructions: Wipe this whole set off with warm water and a soft cloth. Do not use soaps, cleansers, or brass cleaners as they will disintegrate the protective coating and leave the brass exposed therefore causing tarnishing.

FAUCETURE



Parts:

Screw	Mounting Screw & Anchor	Floor Pin
		
6 Pcs	2 Pcs	2 Pcs

www.kingstonbrass.com

TOLL-FREE CUSTOMER SERVICE: 1-877-2-KBRASS
TECHNICAL SUPPORT E-mail: service@kingstonbrass.com
12775 Reservoir Street, Chino, CA 91710

FAUCETURE

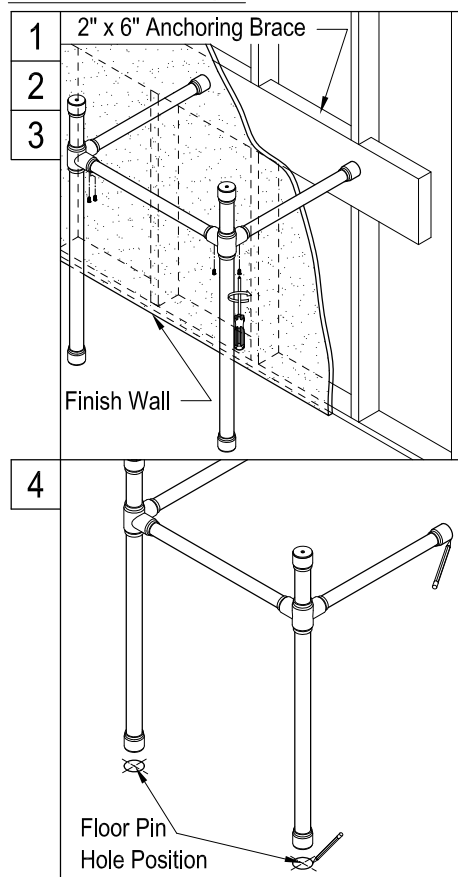
INSTALLATION INSTRUCTIONS

Console Sink Legs

Before Installation :

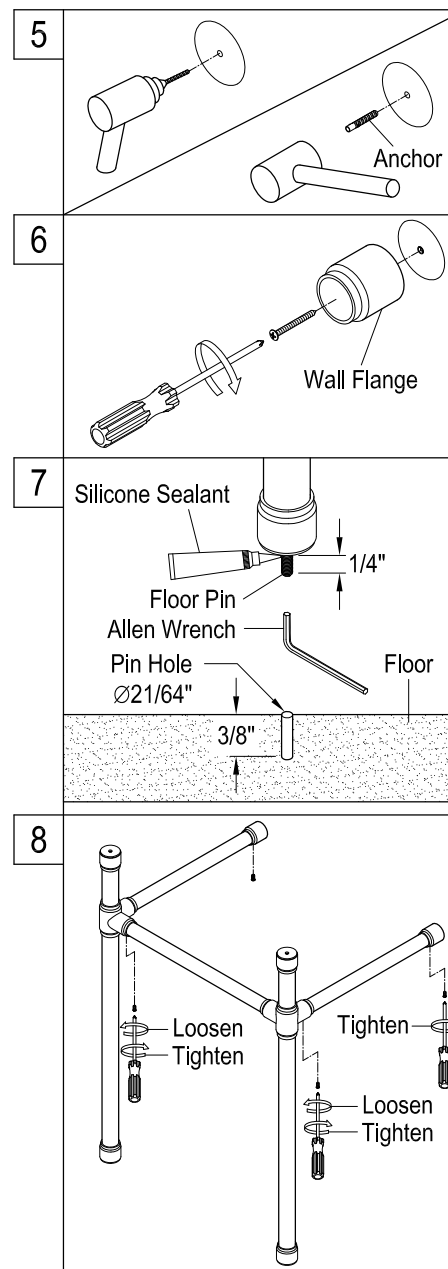
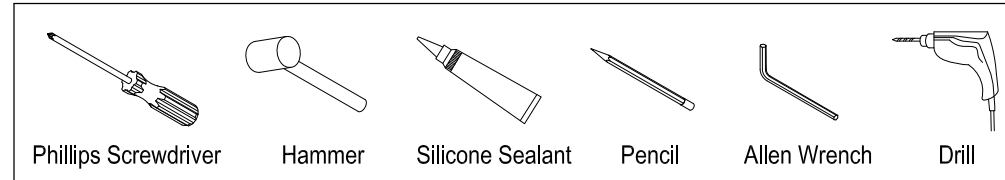
1. Before beginning the installation of your console pedestal basin, it is important to identify the type of wall where the pedestal will be installed and prepare the installation location accordingly.
2. Install an anchoring brace in the wall prior to installing the drywall, this can be a 2" x 6" piece of wood that will fit between the two studs, then install drywall and finish as usual. Due to the excessive weight of this pedestal it should not be mounted on drywall unless it is properly secured to the anchoring brace.
3. For safety concern, make sure your sink has proper wall mounting parts or brackets to fix the sink on wall.
4. For maximum weight capacity, we recommend that you can use our bracket # VSPLBRKT as shown in the last page.

Installation Step :



1. Join the two vertical leg supports by inserting the horizontal crossbar into the leg support tees, and secure by tightening screw from underneath.
2. Insert the two horizontal short arms (wall support arm) into the leg support tees, and secure by tightening screw from underneath.
3. Place the leg support assembly at the location where the console basin will be installed. Adjust to make sure the vertical legs are plumb and horizontal arms are level.
4. Use pencil to mark the locations of drill holes for wall support flanges and floor support flanges. Remove the leg support assembly and drill the holes to install the anchors on the wall. If you want to fix the legs on the floor, drill pin holes $\varnothing 21/64"$ x $3/8"$ deep on the floor.

Need Tools:



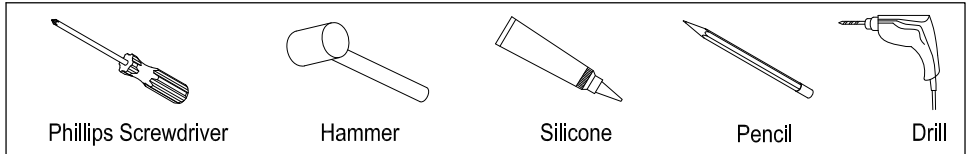
5. Remove the leg support assembly and Install all the anchors on the wall with a hammer.
6. Install wall flanges to wall and tighten with screw driver.
7. If you choose to fix the legs on the floor, apply silicone sealant on one threaded end of the floor pin, secure it into the bottom of vertical legs with an Allen wrench. Make sure the floor pin protrude 1/4" from the bottom surface. Move and adjust the position of the leg support assembly, so the two floor pins can completely go into the drilled holes on the floor. Loosen the screws of the support tees for the short arms. So the short arms can properly fit into wall flanges.
8. Then secure the leg support assembly to the wall by tightening all the screws on the wall flanges and the support tees.

FAUCETURE

INSTALLATION INSTRUCTIONS

L Shape Mounting Bracket

Need Tools:

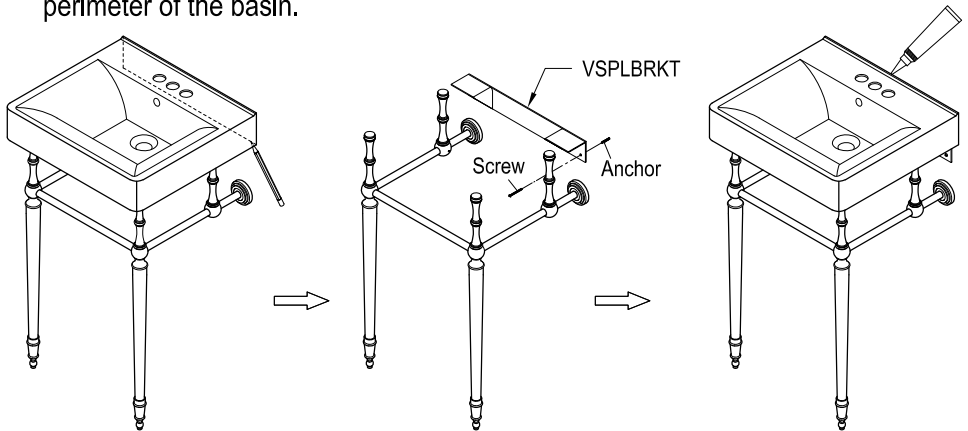


Note:

If the basin is going to be installed on console base which has 4 legs standing on floor, the bracket could be optional.

Installation:

1. Once unit has been assembled place at the desired location.
2. Gently place basin on top of pedestal legs and very carefully place in the location where the pedestal legs will be installed and after leveling draw a line across the bottom of the basin.
3. Remove the basin, find the location of the wood studs and using the marked line as a guide to install support brackets at the location of the studs, make sure at least one of the screws is secured to the wood studs.
4. The depth of wall drill hole for installing anchor should be 52mm (2-1/16") Min.
5. Place basin on top of pedestal legs, apply a bead of silicon around the back perimeter of the basin.



www.kingstonbrass.com

TOLL-FREE CUSTOMER SERVICE: 1-877-2-KBRASS

TECHNICAL SUPPORT E-mail: service@kingstonbrass.com

12775 Reservoir Street, Chino, CA 91710