



**Equipment Supply Company**

# Instruction Manual

## Manual Tire Spreader

ESCO #90451



**WARNING:**

THIS PRODUCT, AS WELL AS ALL TIRE TOOLS, SHOULD NEVER BE USED BY PERSONS UNLESS THEY HAVE BEEN TRAINED PROPERLY ACCORDING TO OSHA REGULATIONS 29CFR 1910.177 ENTITLED "SERVICING SINGLE-PIECE & MULTIPIECE RIM WHEELS".

FOR THE SAFE USE OF THIS PRODUCT, PLEASE READ INSTRUCTIONS. FAILURE TO DO SO CAN LEAD TO A VOID IN WARRANTY OR SERIOUS INJURY. PLEASE USE THIS TOOL AND OTHER TIRE SERVICE TOOLS WITH THE UPMOST SAFETY PRECAUTIONS.

**CAUTION**

Before using the product, carefully read the instructions manual and all stickers and warnings noted on the product. This is necessary to avoid injury to the operator and damage to the product.

Use this product only for spreading tire and repairing the tire protective wrap. Do not use this product for any other purpose. ESCO will not be responsible for the problems caused by any wrong operation.

Keep the hook and claw of machine clean during usage. Clean the extraneous matter such as grease in order to avoid injury to the operator caused by slide.

Do not use this product if it is visibly worn, distorted or damaged. Disposal of this product must be done according to local rules and regulations on waste disposal.

In order to avoid eye injury during repairing process, wears appropriate eye protection.

## Product Description

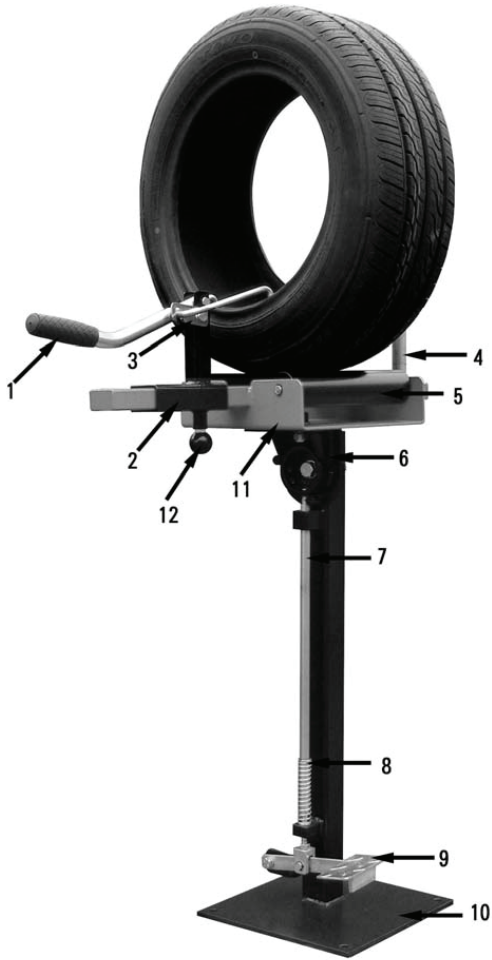
The ESCO Model #90451 Manual Tire Spreader is designed to aid in the repair process, polishing, cleaning, repairing inner tire, which includes of passanger vehicle, small truck, small bus tires. Designed to be bolted down to a shop floor and adjustable positioning for better workability.

## Product Specifications:

**Tire Width:** 5.5" - 10.875"

**Tire Diameter:** 11" - 24"





<b>1</b>	Spreader Hook (A)	<b>4</b>	Spreader Hook (B)	<b>7</b>	Guiding Pole	<b>10</b>	Base
<b>2</b>	Sliding Bush	<b>5</b>	Roller	<b>8</b>	Pressure Spring	<b>11</b>	Roller Support
<b>3</b>	Locking Plate	<b>6</b>	Turnplate	<b>9</b>	Foot Board	<b>12</b>	Adjustable Bar for Sliding Bush

## Installation

1. Place the main body of the Manual Tire Spreader on a solid ground and keep flate. (Expansion Bolts are recommended).



2. Put Spreader Hook B (4) into locating hole of the Roller Support (11). Use circlip at the end of the Hook Set to fix it onto the Support Base (See Picture Below)



3. Pull down the ball handle of the adjustable bar of the sliding bush and put the Spreader Hook B (1) into the roller in the appropriate hole shown in picture.



## Operation

1. Before using the machine, check carefully whether the fasteners on the machine are loose or not due to shipment. If yes, tighten all fastners before you begin operating the machine.
2. Put the tire on tthe roller sets and adjust the distance between the two hooks according to the tire dimension.
  - **Adjust Spread Hook A:** Pull down the ball handle of the adjustable bar of the slide bush and choose the appropriate hole to locate.
  - **Adjusting Spread Hook B:** Choose appropriate hole and height. Set Adjustment.
3. Fix the tire on the spreader and place the hooks into the tire by hand.



4. Pull the handle and spread the tire. Lock the hook with the locking plate.



5. To tilt the spreader, press the foot on the floor board and adjust the roller support to the desired position.



6. When finished with the desired repair, loosen the locking plate and hooks from the tire and unload the tire.



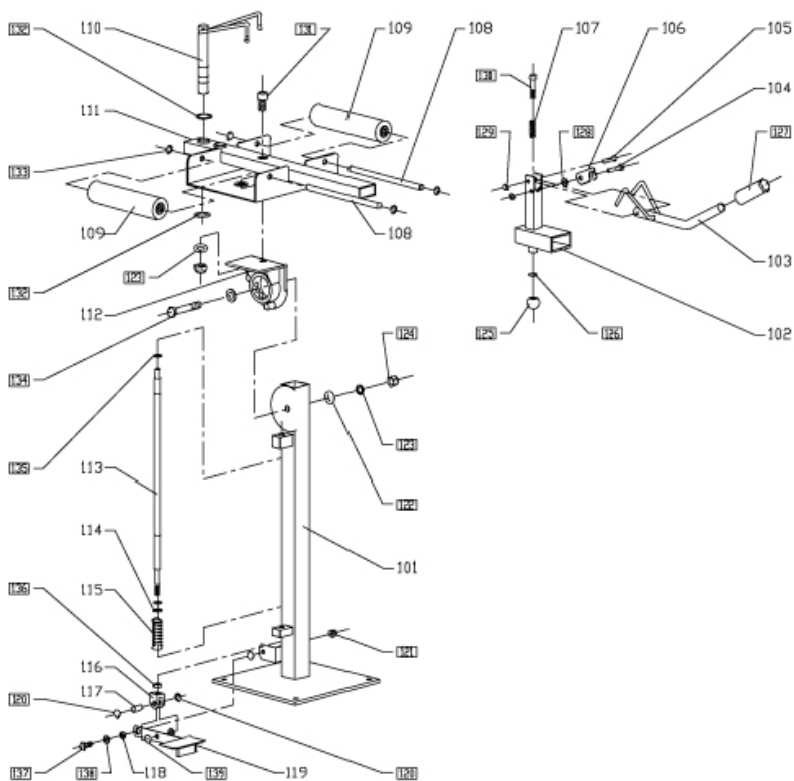
## **Maintanance**

Clear any and all dust, dirt, and other debre that may be caught in spreader hooks or on machine.

Ensure ALL fasteners are tightened and in operating order.

Lubricate oil pin and any friction surfaces regularly to reduce resistance and to extend the life of the machine.

## Parts Breakdown





<b>No.</b>	<b>Code</b>	<b>Description</b>	<b>Quantity</b>
101	410000	Post	one
102	210000	Sliding bush	one
103	230000	Spread hook sets2	one
104	200002	Screw 2	one
105	200001	Screw 1	one
106	200003	Locking plate	one
107	200006	Pressure spring	one
108	100001	Axis of roller	two
109	360000	Roller sets	two
110	220000	Spread hook sets1	one
111	110000	Roller supporting	one
112	420000	Turn plate welding sets	one
113	400001	Pull rod	one
114	400003	Retainer ring	one
115	400002	Pressure spring	one
116	400005	Connector	one
117	400004	Pin roll	one
118	300003	Spacer bush	one
119	430000	Foot board	one
120		Circlip for shaft	two
121		Lock nut	one
122		Even gasket	three
123		Grower gasket	two
124		Lock nut	two
125		Ball handle	1
126		Hexagon thin nut	1
127		Rubber cover	1

No.	Code	Description	Quantity
128		Even gasket	1
129		Lock nut	2
130		Socket cap screw	1
131		Socket cap screw	1
132		Circlip for shaft	2
133		Circlip for shaft	4
134		Hexagon head bolt	1
135		Circlip for shaft	2
136		Hexangular nut	1
137		Even gasket 10	10
138		Hexagon head bolt M10x25	2
139		Even gasket 12	2
140			





**CONTACT INFO:**

www.esco.net - info@esco.net  
15270 Flight Path Drive  
Brooksville, FL 34604  
PH. 352.754.1117  
Toll Free. 1.800.352.9852 (US, Canada Only)  
Fax: 352.754.4508

*ESCO - The Proper Tools to Keep Your Equipment Moving!*

---

Stay Connected with ESCO...

