



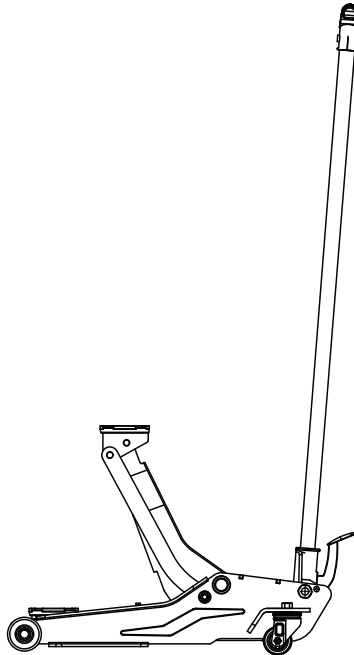
**Equipment Supply Company**



# Instruction Manual

Trolley Jack (2 Ton & 3 Ton Capacity)

ESCO #90520 & #90521



***Read this manual and follow all the safety rules and operating instructions before using this product.***

**WARNING:**

THIS PRODUCT, AS WELL AS ALL TIRE TOOLS, SHOULD NEVER BE USED BY PERSONS UNLESS THEY HAVE BEEN TRAINED PROPERLY ACCORDING TO OSHA REGULATIONS 29CFR 1910.177 ENTITLED "SERVICING SINGLE-PIECE & MULTIPIECE RIM WHEELS".

FOR THE SAFE USE OF THIS PRODUCT, PLEASE READ INSTRUCTIONS. FAILURE TO DO SO CAN LEAD TO A VOID IN WARRANTY OR SERIOUS INJURY. PLEASE USE THIS TOOL AND OTHER TIRE SERVICE TOOLS WITH THE UPMOST SAFETY PRECAUTIONS.

**CAUTION**

Before using the product, carefully read the instructions manual and all stickers and warnings noted on the product. This is necessary to avoid injury to the operator and damage to the product.



## Product Description

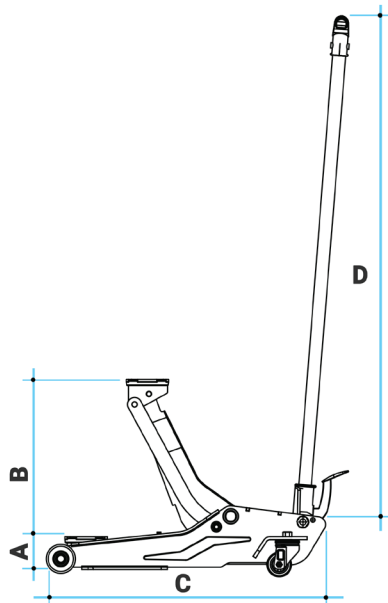
The ESCO Trolley Jack Series (Model #90520 & #90521) are a double pump, professional lifting jacks designed for the lifting of automotive and medium sizes trucks and vans. Features unique “Lift & Twist” controlled lowering of jack and foot pedal for much faster raising up the vehicle. Jacks also include build in “Tools & Parts Tray” for convenience when working on vehicle. Jacks come in 2 Ton and 3 Ton Capacities.

**WARNING:**

*Only authorized persons should operate the jack after carefully reading and understanding the contents of this manual. Do not modify the jack in anyway. The manufacturer accepts no responsibility for the improper use of the jack.*

## Product Specifications:

MODEL	CAPACITY (TONS)	MIN HGT. (A)	MAX. HGT. (B)	JACK LENGTH (C)	HANDLE LENGTH (D)
90520	2	2.95" 75mm	19.69" 500mm	28.35" 720mm	47.25" 1200mm
90521	3	3.75" 95mm	19.69" 500mm	28.35" 720mm	47.25" 1200mm



**OWNER/OPERATOR RESPONSIBILITY:**

It is the owner/operator responsibility to properly use and maintain this equipment and the legibility of all warnings and instruction labels. Carefully read and understand the instructions and warnings in this manual before operating this equipment. Keep this manual in a safe location for future reference.

**FAILURE TO HEED THESE WARNINGS MAY RESULT IN PROPERTY DAMAGE AND OR PERSONAL INJURY.**

- Support load by appropriate means after lifting
- Use as lifting device only.
- Do not exceed rated capacity.
- Use only on hard, level surface.
- Center load on the jack.
- Do not modify jack.
- Never work under a raised vehicle without previously supporting with jack stands.
- Only use attachments and/or adapters supplied with or sold specifically for the jack.
- Only lift areas of the vehicle designated by the vehicle manufacturer.
- If the jack functions irregularly, discontinue use until professionally inspected or repaired.

**ASSEMBLY:**

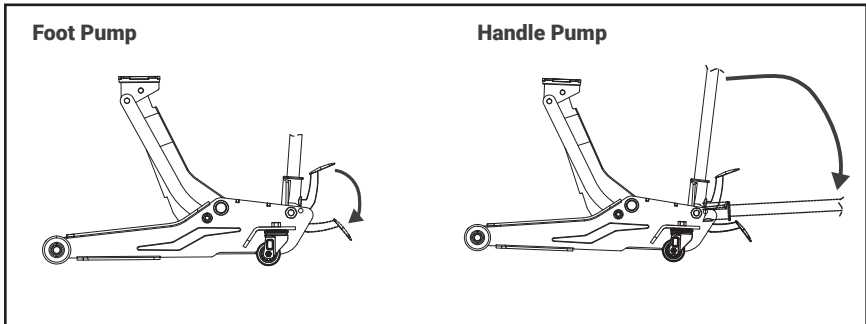
**NOTICE:** To insure the proper operation of the jack, please make sure that all parts are included in the box in order to assemble the jack. Follow the below diagrams to attach handle onto the jack body and proper operation procedures. Failure to follow these directions properly may lead to failure of operation of this product.

1. Assemble the 2-pieces with bolt and fixted “T-Shape” Handle with supplied screws.
2. Insert handle into the handle socket. Tighten the bolt on handle socket to prevent accidental removal of handle when in use.



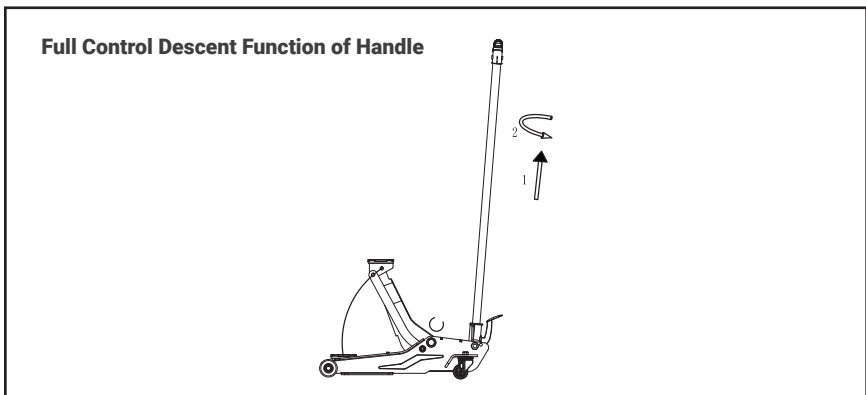
## OPERATION - *LIFTING:*

1. Prior to operating the jack, remove any accumulated air from the system below:  
*Pull the handle and turn it counterclockwise while held in the below position, pump the jack several times to ensure internal lubrication and bleed the accumulated air from the system.*
2. Refer to the vehicle manufacturer owner's manual to locate approved lifting points on the vehicle. Center jack saddle under lift point.
3. Jack(s) are fitted with a foot pedal that gives a faster approach to the load.
4. Pump handle full stroke until load reaches desired height.
5. Transfer the load to appropriately rated jack stands.



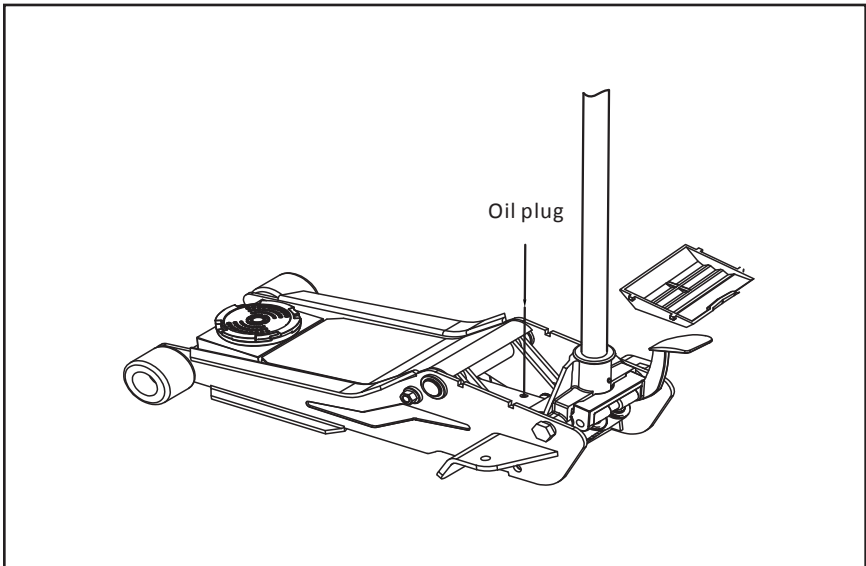
## OPERATION - *LOWERING:*

1. Raise the vehicle and clear the jack stands.
2. Pull up the handle then turn the handle counter-clockwise. The handle is a self-return, giving full control of descent of jack. Hold the handle until the jack is back to the initial position.

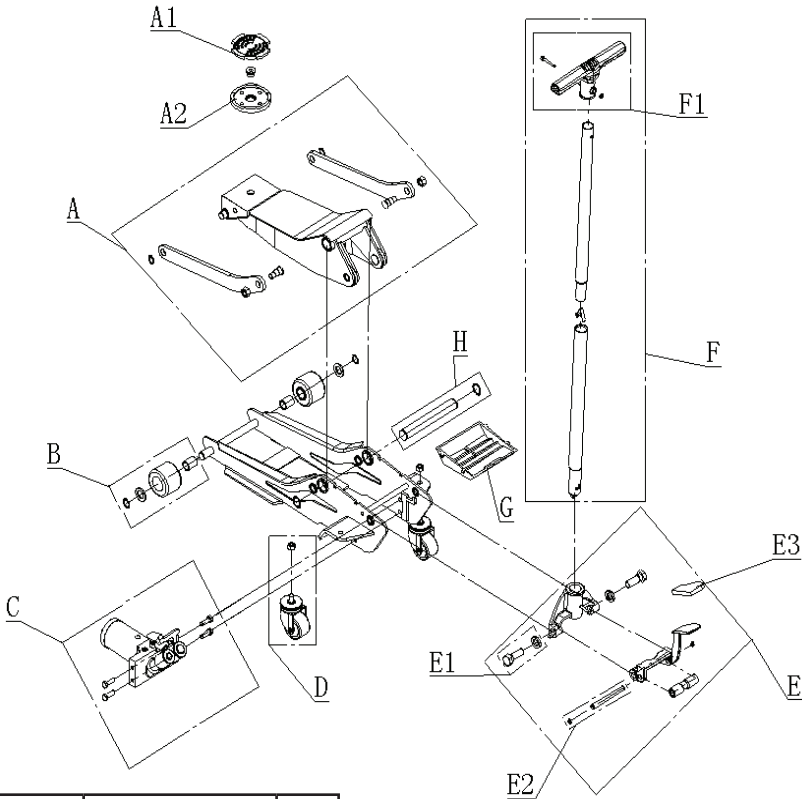


## MAINTENANCE:

1. Both the maintenance and repair of the jack may only be performed by qualified professionals.
2. Only original spare parts should be used.
3. When not in use, store the jack with saddle fully lowered. Keep the jack in a clean, dry place and keep out of reach of children .
4. If the oil level needs to be checked or refilled, remove the filler plug and drain contents into a container. Make sure that no dirt enters with the new oil.
5. Too much oil will prevent saddle from lowering completely. Not enough oil and saddle will not be able to rise to full height.
6. Do not use brake fluid, turbine oil , transmission fluid, motor oil or glycerin. Improper fluid can cause premature failure of the jack and the potential for sudden and immediate loss of load. Premium hydraulic jack oil is recommended.



### PARTS BREAKDOWN:



PART NO.	DESCRIPTION	QTY
A	Lifting Arm Assy.	1
A1	Rubber Cap	1
A2	Saddle	1
B	Wheel Sets	2
C	Cylinder Assy.	1
D	Wheel Sets	2
E	Handle Socket	1
E1	Screw & Circle Clip	2
E2	Axle & Circle Clip	1
F	Handle Assy.	1
F1	Handle & Screw	1
G	Spare Parts Tray	1
H	Axle & Circle Clip	1

### REPAIRING OR REPLACEMENT PARTS:

ESCO strongly suggests consulting with a qualified professional tool and equipment repair technician for any/all repairs to hydraulic equipment. For more information about repair or replacement parts for any ESCO product contact an authorized ESCO product distributor or contact an ESCO technical support professional.

---

# The Proper Tools To Keep Your Equipment **MOVING**



Scan this Code to Go to  
the ESCO website

**WWW.ESCO.NET**



## **CONTACT INFO:**

[www.esco.net](http://www.esco.net) - [info@esco.net](mailto:info@esco.net)

15270 Flight Path Drive

Brooksville, FL 34604

PH. 352.754.1117

Toll Free. 1.800.352.9852 (US, Canada Only)

Fax: 352.754.4508

*ESCO - The Proper Tools to Keep Your Equipment Moving!*

---

Stay Connected with ESCO...

