

# 3 Ton Trolley Jacks

## MODEL 90521

PROFESSIONAL  
SERIES



**PRO**  
SERIES



**HEAVY-DUTY  
STEEL HANDLES**



"Quick Lift" Pedal raises that jack quickly to the load without pumping.

**NEWLY  
REDESIGNED**

*Padded Handle for protecting vehicle finish from damage while jack is in use.*

*Tool and Spare Parts Tray makes it easier to keep track of parts and tools while working on vehicle.*

**3 TON SUPER LOW  
PROFILE**

3.75" MINIMUM HEIGHT



**HIGH PERFORMANCE WHEELS:** Nylon wheels designed to withstand constant use. Wheels will not damage finished garage floors.



**DOUBLE PUMP** - Fast Rising of Jack with Double-Pump Technology. Use Foot Pedal to reach Load Quickly.

### Benefits & Features:

- Heavy Duty Designed Trolley Jack for Professional and "DIY" Use.
- Heavy Duty Nylon Wheels - Strong and non-abbrasive  
[Won't Damage Nice Shop Floors]
- Uniquely designed "Lift & Twist" Lowering System  
[See Back For Details]
- Ergonomic Comfort grips for daily use
- ASME CERTIFIED JACKS

**PRODUCT  
VIDEO  
COMING  
SOON!**

Specifications:

MODEL 90521

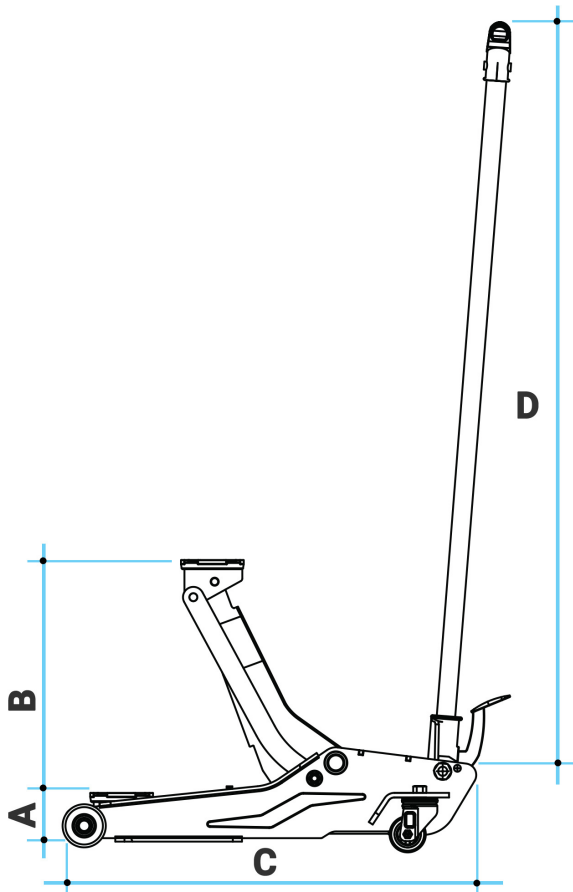
**ESCO**

We Keep Your Equipment **MOVING**

The ESCO Pro Series Trolley Jacks are loaded with unique safety and functionality features that make them second to none for any professional garage or car enthusiast. Features of this jack include a "Double Pump" design that raises the jack much quicker by utilizing the foot pedal lifting system. The "Lift & Twist" controlled lowering system uses a Two-Speed Action Release that allows for the user to lower the vehicle with absolute precision and controlled speed.

Other features include a built in "Tools & Parts Tray" for convenience in storing parts/ tools and strong nylon wheels that will withstand constant use and not damage finished shop floors. The 3 Ton version [Model #90521] is also one of the lowest profile jacks in the market at 3.75". Jacks also include Padded Handle for protecting vehicle finish from damage while jack is in use.

Model Style	CAPACITY Tonnage	MIN HGT. (A)	MAX. HGT. (B)	JACK LENGTH (C)	HANDLE (D)	WEIGHT
90521	3 TON	3.75" 95mm	19.69" 500mm	28.35" 720mm	47.25" 1200mm	90 LBS. 40.5 kg



NOTE: ESCO reserves the right to change, alter, or modify product(s) without notice. This includes but is not limited to product: color, design, parts, accessories, etc.

sales@esco.net WWW.ESCO.NET 1.800.352.9852



COPYRIGHT 2020 • 15270 Flight Path Drive • Brooksville, FL 34604

