

Mammut 82 Ton Jack Stand

MODEL 91053

ESCO

PRO
SERIES



100% MADE IN ITALY



MAMMUT

FEATURES & BENEFITS

- Easy Pneumatic lifting and lowering features allow for safe and efficient positioning of the jack stand under a raised load.
- Ergonomically designed load safety pin with a locking mechanism for increased safety and security of the load.
- Removable saddle included.
- Robust heavy-duty construction for use in the following markets: mine and oil fields, construction sites, industrial assembly, agricultural, railway applications, military, and more.
- 5 Position Jack Stand
- Minimum Height: 23.6 in. | 600mm
- Maximum Height: 39.3 in. | 1000mm
- 100% Manufactured in Italy

This **MAMMUT jack stand** is perfect to sustain up to 82 tons after the lifting operation.

The pneumatic adjustment of the jack stand height is fast and extremely efficient. *Compressed air is required.*

SPECIFICATIONS

Model No.	91053	91055
Product Description	Mammut 82 Ton Support Stand	Mammut 82 Ton Jack Stand Moving Trolley (for Model 91053)
Style	MXA 75-100	A06230
Capacity	82 ton 75 t	NA
Net Weight	253 lb 115 kg	46 lb 21 kg
Working Air Pressure	58-174 psi	NA
Max. Height	39.3 in 1000 mm	NA
Min. Height	23.6 in 600 mm	NA
Positions	5	NA
UPC	816904025458	816904025465

MAMMUT JACK STAND TRANSPORT DOLLIES

To make it even easier to move our jack stand, we created an extremely light and compact trolley. Its design makes it suitable for working in any condition, even the most extreme. (sold separately)

model 91055

For Mammut Jack Stand Model 91053

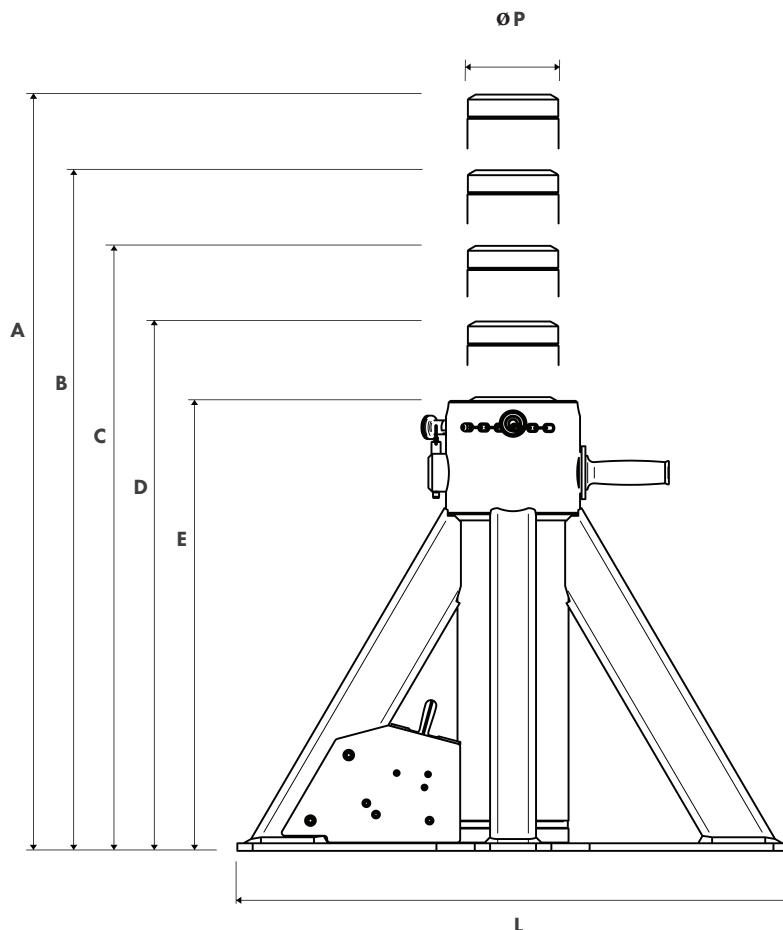


The **Mammut 82-Ton Jack Stand (Model 91053)** is the perfect combination of new technology and safety features, designed to easily sustain loads up to 82 tons after the lifting operation is complete. This uniquely manufactured heavy-duty jack stand is created with a pneumatic lowering and raising feature, allowing for easy adjustments of the jack stand height, promoting efficiency and safety. The **Mammut 82-Ton Jack Stand** requires working compressed air (58-174 psi | 4-12 bar) for lifting and lowering of the stand height to one of the five different heights available.

Each Mammut Jack Stand also come designed with preinstalled "trolley pins" to easily install the appropriate **Jack Stand Moving Trolley (Model 91055 for Mammut 82-Ton Jack Stand)** for easy maneuvering and positioning of the jack stand. (*Jack Stand Moving Trolley Sold Separately*).

Specifications

MAMMUT



A	39.3 in 1000 mm
B	35.4 in 900 mm
C	31.4 in 800 mm
D	27.5 in 700 mm
E	23.6 in 700 mm
L	28.8 in 721 mm
P	47.2 in 1200 mm

NOTE: ESCO reserves the right to change, alter, or modify product(s) without notice. This includes but is not limited to product: color, design, parts, accessories, etc.

sales@esco.net **WWW.ESCO.NET** 1.800.352.9852



COPYRIGHT 2022 • 15270 Flight Path Drive • Brooksville, FL 34604

