



## Vestil Manufacturing Corp.

2999 North Wayne Street, P.O. Box 507, Angola, IN 46703

Telephone: (260) 665-7586 -or- Toll Free (800) 348-0868

Fax: (260) 665-1339

[www.vestilmfg.com](http://www.vestilmfg.com) e-mail: [sales@vestil.com](mailto:sales@vestil.com)

# CANT-Series Mobile Cantilever Storage Racks Assembly Manual



### **Receiving instructions:**

After delivery, IMMEDIATELY remove the packaging from the carpet pole in a manner that preserves the packaging and maintains the orientation of the product in the packaging; then inspect the product closely to determine whether it sustained damage during transport. **If damage is discovered during the inspection, immediately record a complete description of the damage on the bill of lading.** If the product is undamaged, discard the packaging.

### **NOTES:**

- 1) Compliance with laws, regulations, codes, and non-voluntary standards enforced in the location where the product is *used* is exclusively the responsibility of the owner/end-user.
- 2) VESTIL is **not liable** for any injury or property damage that occurs as a consequence of failing to apply either:
  - a) Instructions in this manual; or b) information provided on product labeling.

### **Table of Contents:**

Signal Words.....	2
Safe Use Recommendations.....	2
Product Specifications.....	3
Labeling Diagram.....	3
Exploded parts diagram & bill of materials.....	4
Assembly instructions.....	4 - 5
Use instructions.....	5
Inspections.....	5
Maintenance.....	6
Limited Warranty.....	6

## Signal Words:

This manual uses SIGNAL WORDS to indicate the likelihood of personal injuries, as well as the probable seriousness of those injuries, if the product is misused in the ways described. Other signal words call attention to uses of the product likely cause property damage.

The signal words used appear below along with the meaning of each word:



Identifies a hazardous situation which, if not avoided, **WILL** result in **DEATH** or **SERIOUS INJURY**. Use of this signal word is limited to the most extreme situations.



Identifies a hazardous situation which, if not avoided, **COULD** result in **DEATH** or **SERIOUS INJURY**.



Indicates a hazardous situation which, if not avoided, **COULD** result in **MINOR** or **MODERATE** injury.



Identifies practices likely to result in product/property damage, such as operation that might damage the product.

## Safe Use Recommendations:

Vestil strives to identify foreseeable hazards associated with the use of its products. However, material handling is dangerous and no manual can address every conceivable risk. The end-user ultimately is responsible for exercising sound judgment at all times.



Electrocution might result if any part of the rack system (or items placed on the rack) contacts electrified wires. **DO NOT use the rack in locations where contact with electrified wires can occur.**



If this product is assembled or used improperly, people in the vicinity of the rack might sustain serious personal injuries or could even be killed. **ALWAYS** use the product properly:

• ***Failure to read and understand the entire manual before assembling, loading or servicing the product constitutes misuse.***

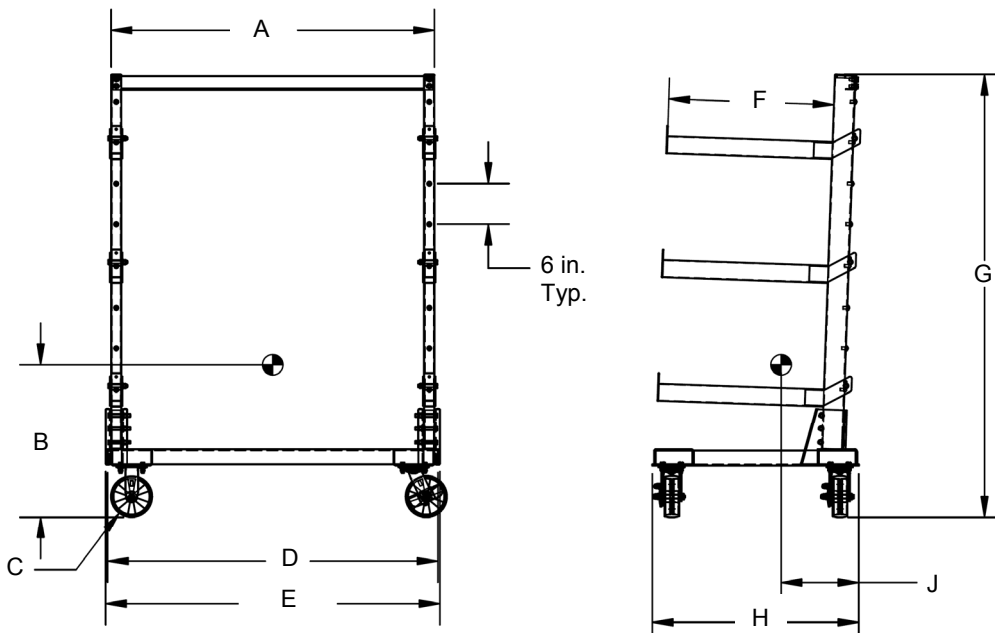
- Read the manual to refresh your understanding of proper use, inspection & maintenance procedures as necessary.
- DO NOT exceed the uniform capacity of 2,000 lb. or the 400 lb. capacity per shelf pair.
- Inspect the rack AT LEAST once per month. DO NOT continue to use the rack if the inspection reveals structural damage. Examples of structural damage include: 1) warped, deformed, or damaged posts (uprights) or base frame members; 2) cracked welds; 3) enlargement of bolt holes, etc.; 4) corrosion, severe wear, or other condition that affects the ability of the product to support applied weight; 5) damaged, deformed or cracked cross brace. Immediately tag the rack out of service, unload it completely, and replace each part that fails to pass inspection. DO NOT use the product until it is fully restored to normal condition. ONLY use manufacturer-approved replacement parts.
- DO NOT use the product if any unusual noise or movement occurs. Instead, completely unload the rack and tag it "Out of service". Notify your supervisor & maintenance personnel about the issue.
- All loads stored on the rack must fit within the dimensions of the rack and arms. DO NOT store any load that hangs over the rack.
- ALWAYS evenly distribute and center all loads applied to the rack.
- ONLY use this rack on even, level surfaces.
- ALWAYS immobilize the rack whenever the rack is parked by lock both of the swivel casters
- DO NOT remove or obscure any label. All product labels must be readable and undamaged. (See "Labeling diagram" on p. 3)
- DO NOT climb or ride on the rack.
- DO NOT modify the rack in any way. **Unauthorized modifications automatically void the limited warranty (see p. 6) and might make the rack unsafe to use.**



- Proper maintenance is essential for this product to function properly and to last as long as possible.
- Always use this product in accordance with the instructions in this manual and consistently with any training undergone regarding storage of materials on racks.
  - ONLY install replacement parts supplied or approved by the manufacturer.
  - Keep the rack clean & dry.

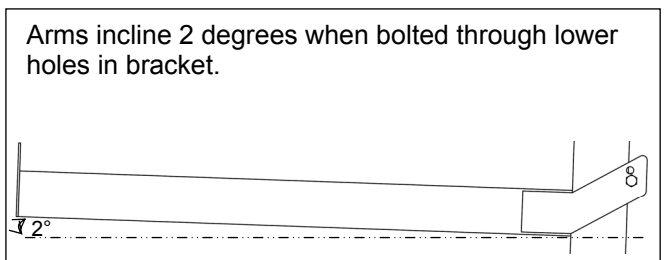
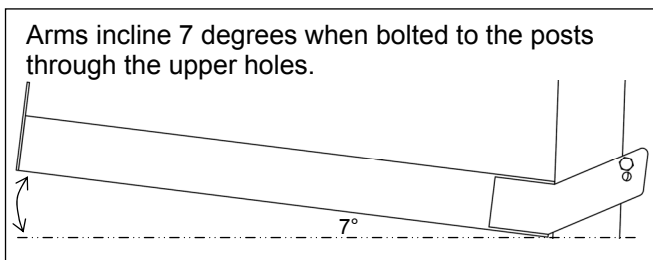
**Product Specifications:**

Dimensions and other product information appear in the table below.



Model	A	B (Center of gravity)	C (Caster wheel diameter)	D	E	F	G	H	J (Center of gravity)	Net Weight
CANT-3048	47in.	22 <sup>1</sup> / <sub>4</sub> in.	6in.	48in.	48 <sup>1</sup> / <sub>4</sub> in.	24in.	48 <sup>1</sup> / <sub>4</sub> in.	30in.	11 <sup>5</sup> / <sub>16</sub> in.	168.9 lb. 76.8 kg
CANT-3648	47in.	22 <sup>1</sup> / <sub>4</sub> in.	6in.	48in.	48 <sup>9</sup> / <sub>16</sub> in.	30in.	64 <sup>9</sup> / <sub>16</sub> in.	36in.	13 <sup>11</sup> / <sub>16</sub> in.	181.4 lb. 82.5 kg
CANT-3060	59in.	22 in.	6in.	60in.	60 <sup>9</sup> / <sub>16</sub> in.	24in.	64 <sup>9</sup> / <sub>16</sub> in.	30in.	11 <sup>3</sup> / <sub>8</sub> in.	182.4 lb. 82.9 kg

Capacity per pair of arms: 400 lb.  
 Overall capacity: 2,000 lb.  
 Arm height adjustability: 6 inch increments (spacing between bearing pins = 6 inches)  
 Arm inclination: 7 degrees above horizontal when bolted through upper holes  
 2 degrees above horizontal when bolted through lower holes



**Labeling Diagram:**

The product should always be labeled as shown in the diagram to the right. Replace any label that is damaged or unreadable.

**Label 287: Model, serial no., capacity**

MODEL/MODELO/MODELE	_____
STATIC CAPACITY (evenly distributed)	_____ lbs.
LA CAPACIDAD CONSTANTE (distribuida uniformemente)	_____ kgs.
CAPACITÉ STATIQUE (distribuée régulièrement)	_____ kgs.
SERIAL/SERIE/SÉRIE	_____

287 REV 0812



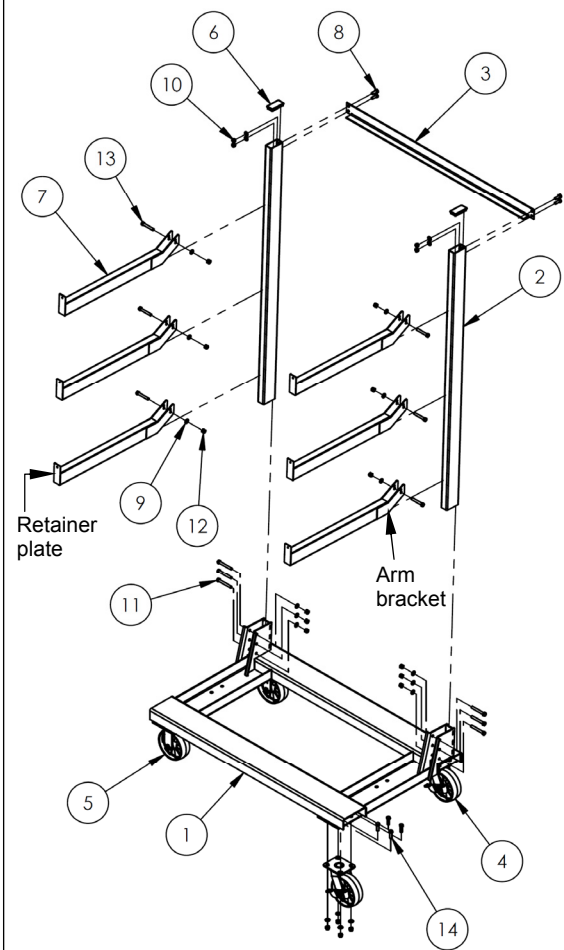
**Label 737:**

<p><b>WARNING</b></p> <p>Improper loading constitutes misuse and might result in serious personal injuries.</p> <ul style="list-style-type: none"> <li>Racks must be placed in corresponding holes.</li> <li>Load bottom of unit first, then move to the next level. Load bottom-up.</li> </ul>	<p><b>AVISO</b></p> <p>La carga impropia constituye maltrato y puede que tengas como resultado heridas personales graves.</p> <ul style="list-style-type: none"> <li>Los anaqueles deben ser colocados en correspondientes huecos.</li> <li>Cargue fondo de la unidad primero, entonces mover al próximo nivel. Cargue empezando a abajo para arriba.</li> </ul>	<p>Model/Modelo/Modèle CANT</p> <p>Maximum Capacity / Capacidad Máxima 2,000 LBS / 907 KG.</p> <p>Back Load Capacity / Capacidad por Tránsito 400 LBS / 181 KG.</p> <p>UNIFORMLY DISTRIBUTED UNIFORMEMENTE DISTRIBUIDO</p>
---	--	--

**Label 203:**



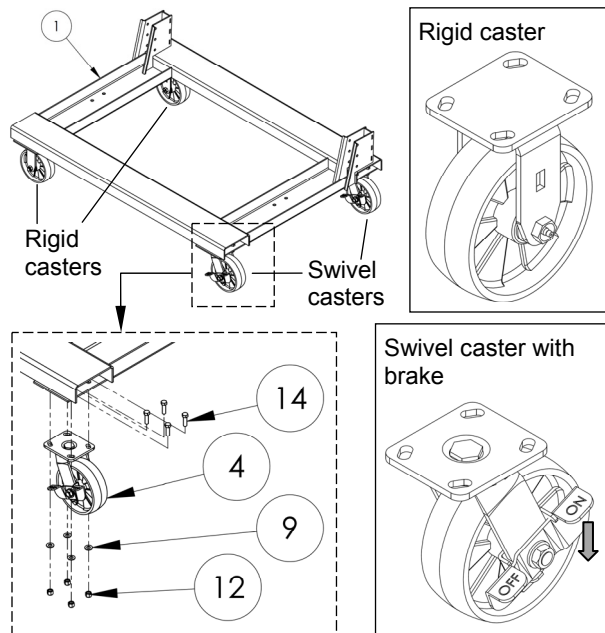
**Exploded parts diagram and bill of materials**



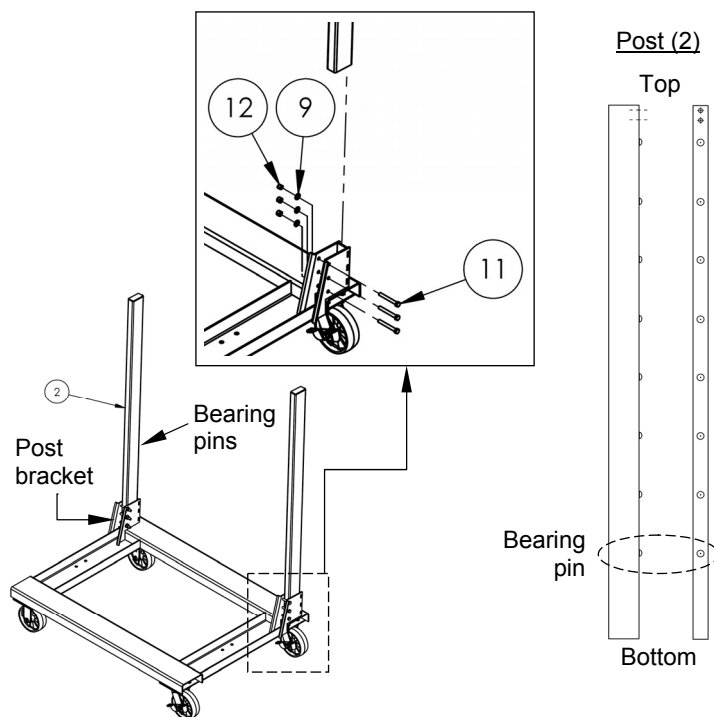
Item no.	Part no.	Description	Quantity
1	16-514-241	Weldment, base:	1
	16-514-242	CANT-3048	
	16-514-243	CANT-3648	
	16-514-243	CANT-3060	
2	16-514-244	Weldment, upright post	2
3	16-014-402	Frame, angle, cross-support:	1
	16-014-403	CANT-3048 & CANT-3648	
4	16-132-261	6in. x 2in. glass filled nylon swivel	2
		caster with brake	
5	16-132-263	6in. x 2in. glass filled nylon rigid caster	2
6	21-024-021	Cap, rectangular glide	2
7	16-514-245	Weldment, arm:	6
	16-514-246	24in. arm (CANT-3048 & CANT-3060) 30in. arm (CANT-3060)	
8	11105	$\frac{3}{8}$ in. - 16 x 1in. HHCS #2 zinc-plated bolt	4
9	33008	$\frac{3}{8}$ in. USS zinc-plated flat washer	32
10	36106	$\frac{3}{8}$ in. - 16 zinc-plated hex nut	4
11	11115	$\frac{3}{8}$ in. - 16 x 3in. HHCS #2 zinc-plated bolt	6
12	37024	$\frac{3}{8}$ in. - 16 nylon lock nut	28
13	11113	$\frac{3}{8}$ in. - 16 x 2 $\frac{1}{2}$ in. HHCS #2 zinc-plated bolt	6
14	11107	$\frac{3}{8}$ in. - 16 x 1 $\frac{1}{4}$ in. HHCS #2 zinc-plated bolt	16

**Assembly instructions:**

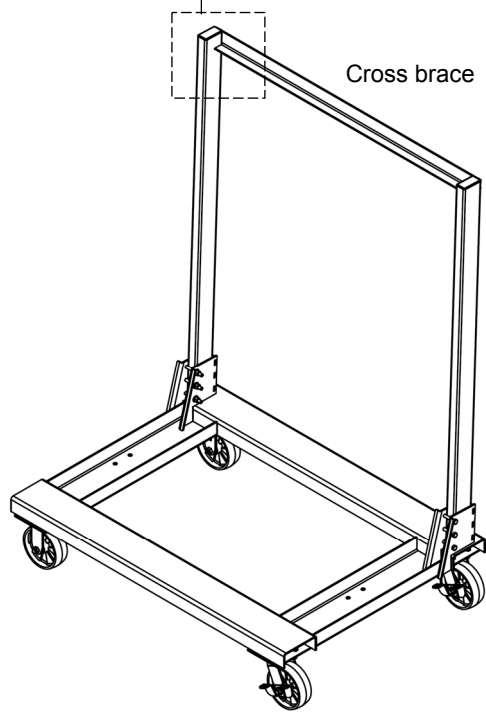
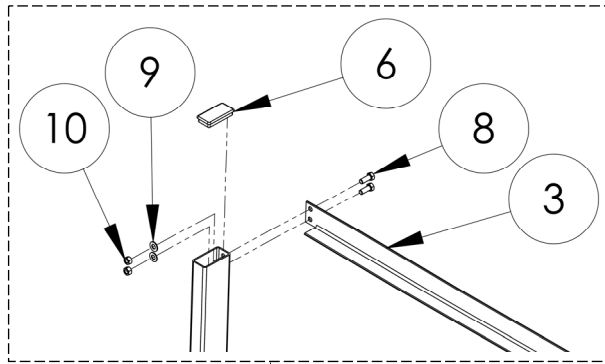
**Step 1:** Attach casters (5) to the underside of the base frame using the hardware indicated in the diagram below. Install rigid casters on one side and swivel casters on the opposite side as shown. Before continuing to step 2, apply the brakes of both swivel casters by pressing the ON side down.



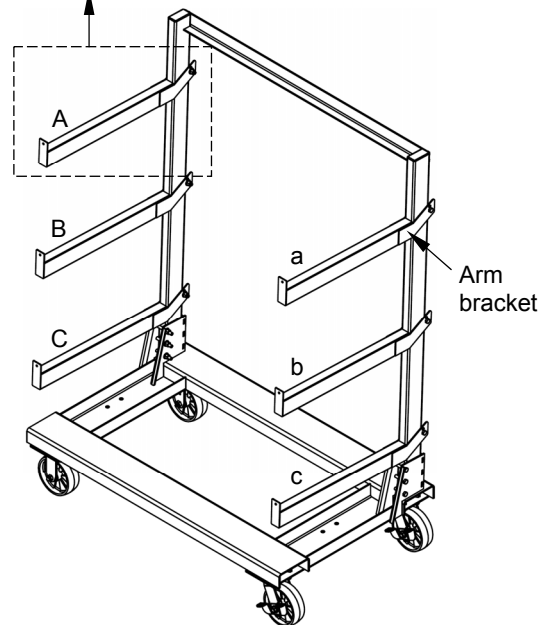
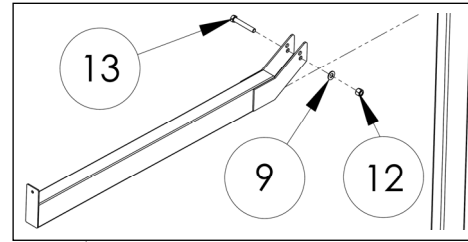
**Step 2:** Attach the upright posts (2) to the post brackets of the base (1) using  $\frac{3}{8}$ in. hardware (9; 11; & 12) as shown below. Install posts with bearing pins facing outwards.



**Step 4:** Attach the cross brace (3) to the tops of the posts. After installing the cross brace, press caps (6) into the top of each post.



**Step 3:** Position the arms by sliding the arm brackets around the posts at the desired levels. Then, install the retaining hardware (9; 12; & 13) through the brackets of each arm. Arm are held in place by resting bolts on top of bearing pins. Make sure that pairs of arms are located at the same level (A at same level as a; B with b; and C with c).



**NOTE:** There are 2 holes in each arm bracket to allow the arms to incline at either 2 degrees or 7 degrees above horizontal. Determine the degree of inclination necessary for your application and then install bolts through the appropriate bolt holes. (See "Arm inclination" on p. 3.)

### Use instructions:

Always load the rack from the bottom up.

1. Each arm pair (A-a; B-b; C-c in Step 3 above) can support 400 lb. at most.
2. Center all loads applied to arm pairs.
3. Do not apply more than a total of 2,000 pounds to the rack.

### Inspections:

Perform the inspections explained below and maintain the product as described below to ensure that the unit is and remains in normal operating condition.

**WARNING** If a problem is discovered during an inspection, restore the unit to normal operating condition **BEFORE** using it again. DO NOT use the unit if repairs are incomplete! DO NOT modify the unit in any way. A "modification" is a change that alters the product from original condition, like bending the structural members or removing parts. Modifications might make the rack unsafe to use and *automatically* void the limited warranty.

At least once per month:

1. Check hardware. All nuts, bolts and washers must be in normal condition and be securely fastened together.
2. Look for damage or corrosion that might compromise the structural integrity of the base frame or upright posts. If any structural damage is present, immediately tag the rack out of service. Replace all damaged components and do not use the rack again until it has been fully restored to normal condition.
3. Confirm that all arms are square and rigid. Examine welds that connect arm brackets to the arms for damage. Examine bolt holes in the brackets as well. Confirm that all bolt holes are circular rather than elongated or warped.



**Maintenance:**

- 1: Remove dirt and other matter from all surfaces.
- 2: Cover exposed metal with touchup paint.
- 3: Perform all adjustments, replacements and/or repairs indicated from inspection.

**LIMITED WARRANTY**

Vestil Manufacturing Corporation ("Vestil") warrants this product to be free of defects in material and workmanship during the warranty period. *Our warranty obligation is to provide a replacement for a defective original part if the part is covered by the warranty, after we receive a proper request from the warrantee (you) for warranty service.*

**Who may request service?**

Only a warrantee may request service. *You are a warrantee if* you purchased the product from Vestil or from an authorized distributor AND Vestil has been fully paid.

**What is an "original part"?**

An original part is a part *used to make the product as shipped* to the warrantee.

**What is a "proper request"?**

A request for warranty service is proper if Vestil receives: 1) a photocopy of the Customer Invoice that displays the shipping date; AND 2) a written request for warranty service including your name and phone number. Send requests by any of the following methods:

<u>Mail</u>	<u>Fax</u>	<u>Email</u>
Vestil Manufacturing Corporation 2999 North Wayne Street, PO Box 507 Angola, IN 46703	(260) 665-1339 <u>Phone</u> (260) 665-7586	sales@vestil.com

In the written request, list the parts believed to be defective and include the address where replacements should be delivered.

**What is covered under the warranty?**

After Vestil receives your request for warranty service, an authorized representative will contact you to determine whether your claim is covered by the warranty. Before providing warranty service, Vestil may require you to send the entire product, or just the defective part or parts, to its facility in Angola, IN. The warranty covers defects in the following *original* dynamic components: motors, hydraulic pumps, electronic controllers, switches and cylinders. It also covers defects in *original* parts that wear under normal usage conditions ("wearing parts"): bearings, hoses, wheels, seals, brushes, batteries, and the battery charger.

**How long is the warranty period?**

The warranty period for original dynamic components is 30 days. For wearing parts, the warranty period is 30 days. The warranty periods begin on the date when Vestil ships the product to the warrantee. If the product was purchased from an authorized distributor, the periods begin when the distributor ships the product. Vestil may, at its sole discretion, extend the warranty periods for products shipped from authorized distributors by *up to* 30 days to account for shipping time.

**If a defective part is covered by the warranty, what will Vestil do to correct the problem?**

Vestil will provide an appropriate replacement for any *covered* part. An authorized representative of Vestil will contact you to discuss your claim.

**What is not covered by the warranty?**

1. Labor;
2. Freight;
3. Occurrence of any of the following, which automatically voids the warranty:
  - Product misuse;
  - Negligent operation or repair;
  - Corrosion or use in corrosive environments;
  - Inadequate or improper maintenance;
  - Damage sustained during shipping;
  - Collisions or other incidental contacts causing damage to the product;
  - Unauthorized modifications: DO NOT modify the product IN ANY WAY without first receiving written authorization from Vestil. Modification(s) might make the product unsafe to use or might cause excessive and/or abnormal wear.

**Do any other warranties apply to the product?**

Vestil Manufacturing Corp. makes no other express warranties. All implied warranties are disclaimed to the extent allowed by law. Any implied warranty not disclaimed is limited in scope to the terms of this Limited Warranty.

