

VESTIL MANUFACTURING CORP.
2999 N. Wayne St., Angola, IN 46703
Ph: 260-665-7586 · Fax: 260-665-1339
E-mail: sales@vestil.com · www.vestil.com

OWNER'S MANUAL

MODEL DGD-A, DGS-A, & DGS-AG

Assembly / Installation Instructions	2	Troubleshooting	3
Operation Instructions	2 - 3	Center of Gravity diagrams.....	7
Routine Maintenance & Safety Checks	3	Safety Label Identification	8
Exploded Structural Parts Drawing & BOM	4 - 6	Warranty	9

⚠WARNING Material handling is dangerous. To reduce the likelihood of serious personal injury, each person who might use or maintain this product should:

- Read and understand the owner's manual before using or performing maintenance on the drum handler.
- Unload the handler before maintaining/servicing the handler.
- DO NOT use the handler unless all labels shown on p. 7 are in place and readable.
- DO NOT use the handler if any damage or unusual movement is observed, or if it seems to be malfunctioning. Notify your supervisor or maintenance personnel if you notice anything out of the ordinary.
- Always watch the drum grippers and the drum carefully while using the drum handler.
- Before transporting a drum, elevate the forks sufficiently to raise the drum a few inches off of the ground. Transport the drum as close to the ground as possible.
- DO NOT exceed the maximum rated load of your model drum handler. The load rating, in pounds, is shown on the machine data plate. It indicates the net capacity of the drum handler with a static load that is centered and evenly distributed.
- Keep all personnel clear of the machine when it is in operation.
- Only use DGS-A and DGD-A units to lift and transport steel drums.
- DO NOT modify the handler unless you are CERTAIN that the handler will be safe to use afterwards. Any modification automatically voids the limited warranty.

TO ORDER REPLACEMENT PARTS:

We take pride in using quality parts on the equipment we manufacture. We are not responsible for equipment problems resulting from the use of unapproved replacement parts.

To order replacement or spare parts for this equipment, contact the factory.

In any communication with the factory please be prepared to provide the machine's serial number, which is indicated on the machine dataplate.

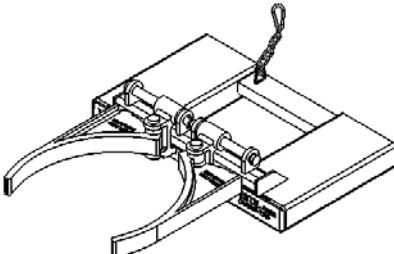
RECEIVING INSTRUCTIONS

It is possible that the unit could incur damage during transit.

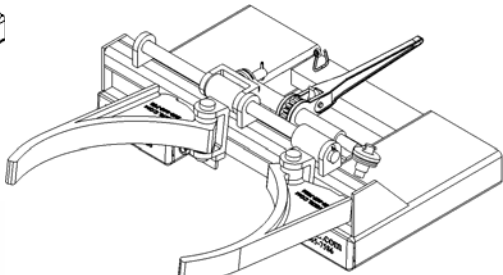
Inspect the unit closely when it arrives. *If you see evidence of damage or rough handling to either the packaging or to the product when it is being unloaded, immediately make a note of it on the Bill Of Lading!*

It is important that you remove the product's packaging upon its arrival to ensure that there is no concealed damage or to enable a timely claim with the carrier for freight damage.

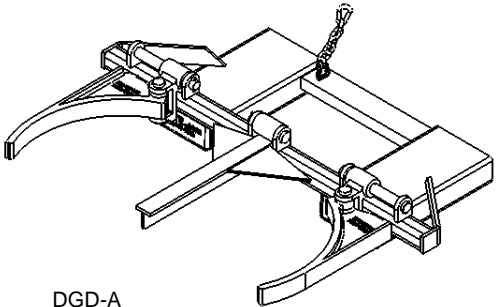
Also verify that the product and its specifications are as ordered.



DGS-A







DGS-AG



DGD-A

This manual uses SIGNAL WORDS to classify personal injury risks or situations that might lead to property damage, as well as to draw attention to safety messages. The reader must understand that each signal word indicates the seriousness of the described hazard.


 DANGER	Identifies a hazardous situation which, if not avoided, WILL result in DEATH or SERIOUS INJURY . Use of this signal word is limited to the most extreme situations.
 WARNING	Identifies a hazardous situation which, if not avoided, COULD result in DEATH or SERIOUS INJURY .
 CAUTION	Indicates a hazardous situation which, if not avoided, COULD result in MINOR or MODERATE injury.
 NOTICE	Identifies practices likely to result in product/property damage, such as operation that might damage the product.

SPECIFICATIONS

MODEL	DRUM VOLUME AND MATERIAL	UNIFORM CAPACITY IN POUNDS	OVERALL DIMENSIONS (WxDxH) IN INCHES	FORK POCKET CENTERS IN POUNDS	FORK POCKET DIMENSIONS (WxH) IN INCHES	NET WEIGHT IN POUNDS
DGS-A	30 GAL. & 55 GAL. STEEL	800	26IN. X 35IN. X 8IN.	19¾IN.	7¼IN. X 2½IN.	105 (47.7KG)
DGS-55-D	55 GAL. STEEL	1,500	28¼IN. X 24IN. X 8IN.	13½IN.	6¼IN. X 2IN.	109 (49.5KG)
DGS-AG	30GAL.; 55GAL.; 85GAL. STEEL FIBER PLASTIC	1,500 (STEEL & FIBER) 1,000 (PLASTIC)	34 ¹ / ₈ IN. X 28IN. X 9½IN.	19¾IN.	5 ⁵ / ₈ IN. X 1 ⁵ / ₈ IN.	130 (59.1KG)
DGD-A	30 GAL. & 55 GAL. STEEL	1,500	45IN. X 36IN. X 8IN.	24IN.	7¼IN. X 2½IN.	96 (43.6KG)
DGD-55-D	55GAL. STEEL	2,000	46IN. X 24¼IN. X 9½IN.	24IN.	7¼IN. X 2½IN.	185 (84.1KG)

OPERATION INSTRUCTIONS – DGD-A / DGS-A

The standard model DGD-A / DGS-A is suitable for lifting and transporting open or closed standard 30 gallon and 55-gallon steel drums in most (non classified) industrial locations which do not involve hazardous materials.

 WARNING	DO NOT exceed the DGD-A / DGS-A's load ratings. Injury to personnel or permanent damage to the loading arms, the drum(s), or drum contents, could result from exceeding the listed capacity. <ul style="list-style-type: none"> • All persons involved in the use of this drum handler should read and apply these instructions! • Inspect the safety chain and lifting arms daily. • Although your drum handler can lift loads equal to or less than its uniform capacity (see "Specifications" above), the <u>drum</u> itself (lip or rim) must be capable of supporting the full weight of the load as well.
--	--

- 1.) Adjust the forks so that the inside width between the forks will fit into the fork pockets.
- 2.) Drive the truck forward to slip forks into the fork sleeves. Attach safety chain the mast to secure drum lifter to forks.

- 3.) DGD-A & DGS-A: Raise and tilt the forks forward to separate the arms slightly

DGS-AG: Raise the forks and adjust the tilt so that the gripper arms are parallel to the floor. The left and right side gripper cast brackets (item numbers 13 & 14 on p. 6) must not contact the cross support of the frame (see p. 6), because contact will prevent the gripper from moving properly. Adjust the tilt of the forks so that the cast brackets do not contact the cross-support. Ratchet the gripper arms apart sufficiently so that a drum will fit between them. NOTE: You will have to grasp the shaft of the load binder (see p. 6) for the ratchet to function.

- 4.) DGD-A & DGS-A: Lower the gripper arms over the top of the drum until the arms are at the desired lifting point on the drum.

DGS-AG: Drive the fork lift toward the drum and adjust the height of the forks so that the gripper arms will be just below the ridge of the drum. Drive the fork lift forward until the drum presses against the backs of the gripper arms. Ratchet the gripper arms together until they firmly contact the sides of the drum just below the ridge. NOTE:

Be very careful not to over-tighten the grippers when using this device to engage plastic or fiber drums. Over-tightening the grippers might crack or puncture the drum.

5.) DGD-A & DGS-A: Raise the forks and tilt them back. Adjust the elevation of the drum so that it is as close to the floor as possible while transporting it.

DGS-AG: Elevate the forks sufficiently to raise the drum a few inches from the ground, and transport the drum to the desired location.

6.) To release the drum, tilt the forks forward, lower drum to the ground and back away from the drum.

ROUTINE MAINTENANCE & SAFETY CHECKS – DGD-A / DGS-A

⚠WARNING: Identify all potential hazards and comply with applicable safety procedures before beginning work. Only qualified individuals trained to understand mechanical devices and their associated hazards should attempt troubleshooting and repair of this equipment.

(A) Before each use inspect for the following:

- 1.) Damage or structural deformation to the structural members, the fork tubes, lifting arms, retaining/safety chain & bracket etc.
- 2.) Unusual noise or binding, or evidence thereof.
- 3.) Proper functioning of the lock.
- 4.) Apparent damage or fatigue to the safety, strap / chain (used to secure the drum gripper to the fork truck mast), or to the safety latch at the end of the strap / chain.

(B) Inspect monthly for:

- 1.) Pivot point wear.
- 2.) Integrity of the retaining hardware on all pivot point pins.
- 3.) The integrity of the hook, chain and chain retaining brackets.
- 4.) Looseness, wear, or damage to the drum lifting arms.
- 5.) Unusual noises or movement during operation.
- 6.) Signs of excessive wear, or damage to any part of the safety strap, including the strap hooks safety latch.
- 7.) All the information, safety, and warning labels being in place and in good condition.
- 8.) The need to clean off dirt and debris.

(C) Yearly inspection

- 1.) Test the drum gripper under full load. Remove the drum(s) and inspect all of the welds for cracks and the structural parts for signs of fatigue or deformation.

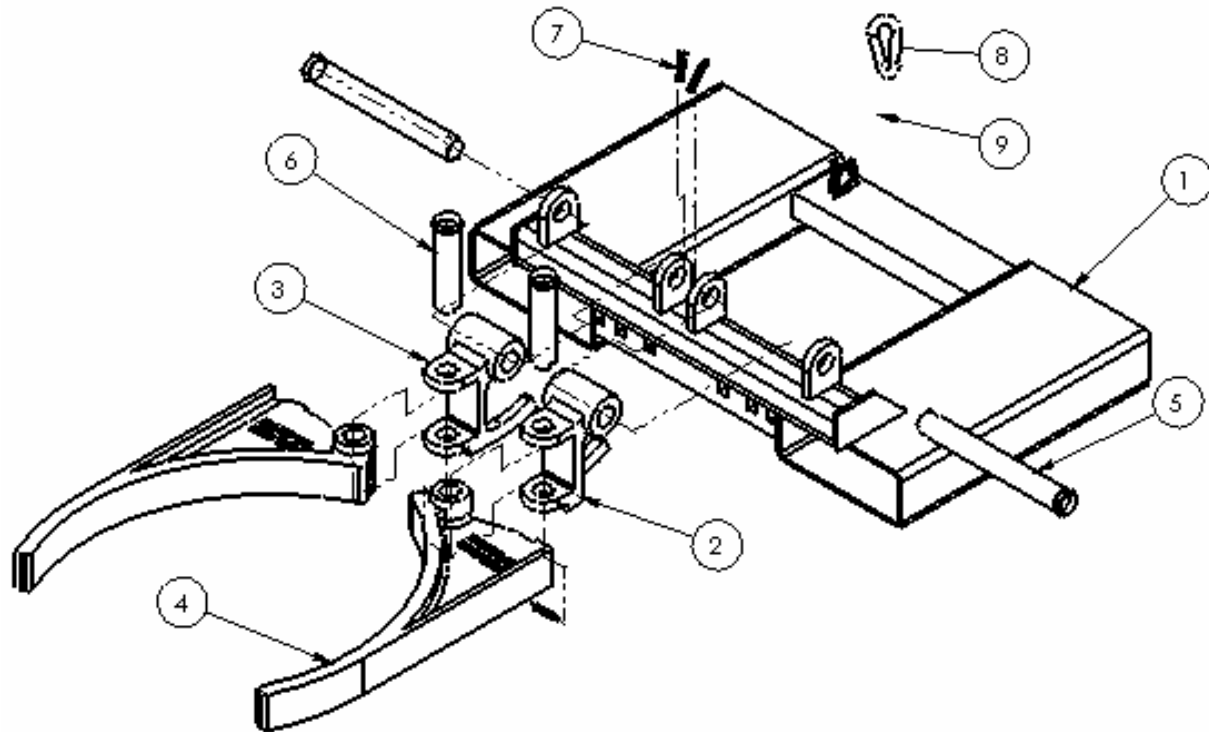
TROUBLESHOOTING GUIDE --

Warning: Before performing any repair or trouble shooting task, always unload the drum handler.

Contact the factory for assistance with any problems not addressed below.

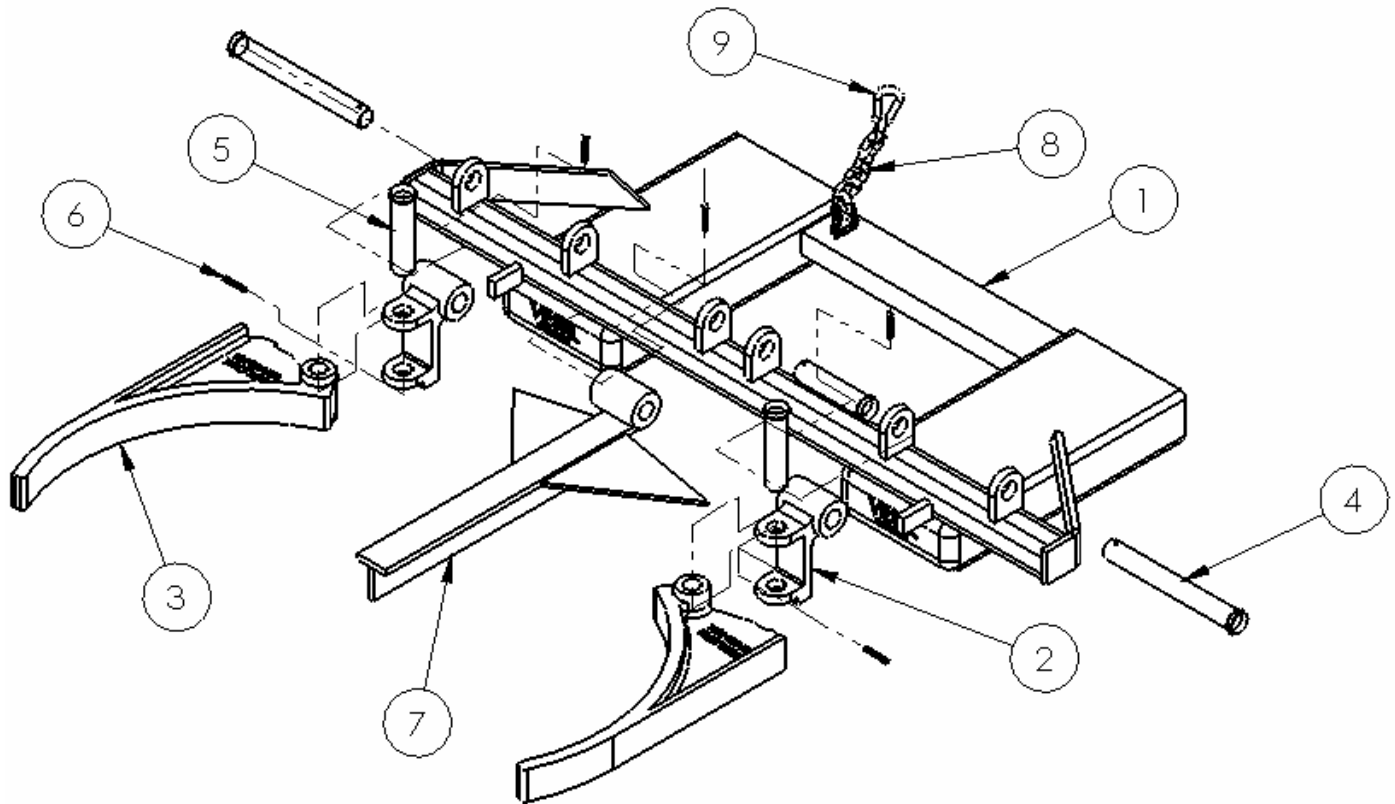
<u>Problem:</u>	<u>Possible cause(s):</u>	<u>Action:</u>
Drum won't fit between the gripping arms.	Gripping arms adjusted for smaller drum. Drum is not a standard size drum.	Readjust gripping arms. Adjust/tilt the mast of the fork truck forward to separate the arms.
Drums slip out of the gripping arms when lifted.	Wrong size or type of drum Arms or center support not in place properly.	Tilt the mast of the fork truck back
Gripping arms are not parallel.	Locking tabs are not secured in locking slots Debris/obstruction Damage or structural deformation	Move gripping arms until locking slots match locking tabs. Rotate gripping arm down to insert locking tab into locking slot.

EXPLODED PARTS VIEW AND BILL OF MATERIALS – DGS-A



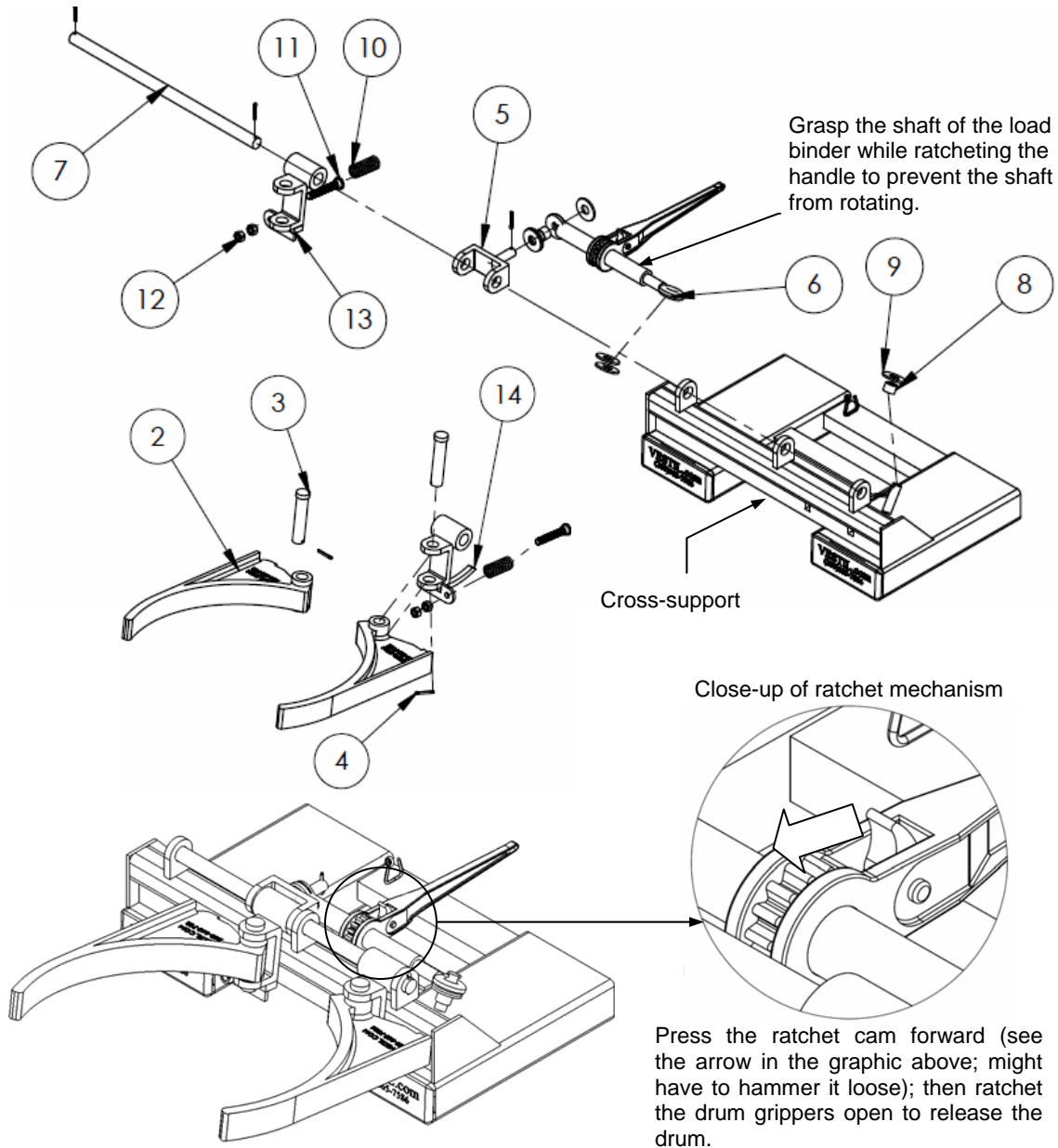
ITEM NO.	PART NUMBER	DESCRIPTION	QTY
1	09-514-087	FRAME, WELDMENT, DGS	1
2	40-512-001	HINGE, CASTING, ARM, FMDL SERIES	1
3	40-512-001	HINGE, CASTING, ARM, FMDL SERIES	1
4	40-514-016	FRAME, CASTING, ARM, FMDL SERIES	2
5	40-112-001	PIN, MAIN, CLEVIS, FMDL SERIES	2
6	15-112-014	PIN, RETAINING, Ø1 CLEVIS x 4 1/2 LG.	2
7	65125	COTTER PIN Z PLATED, 3/16 x 1 1/2	4
8	08-145-008	SNAP HOOK	1
9	08-145-007	3/16" ASSEMBLY, CHAIN	1

EXPLODED PARTS VIEW AND BILL OF MATERIALS – DGD-A



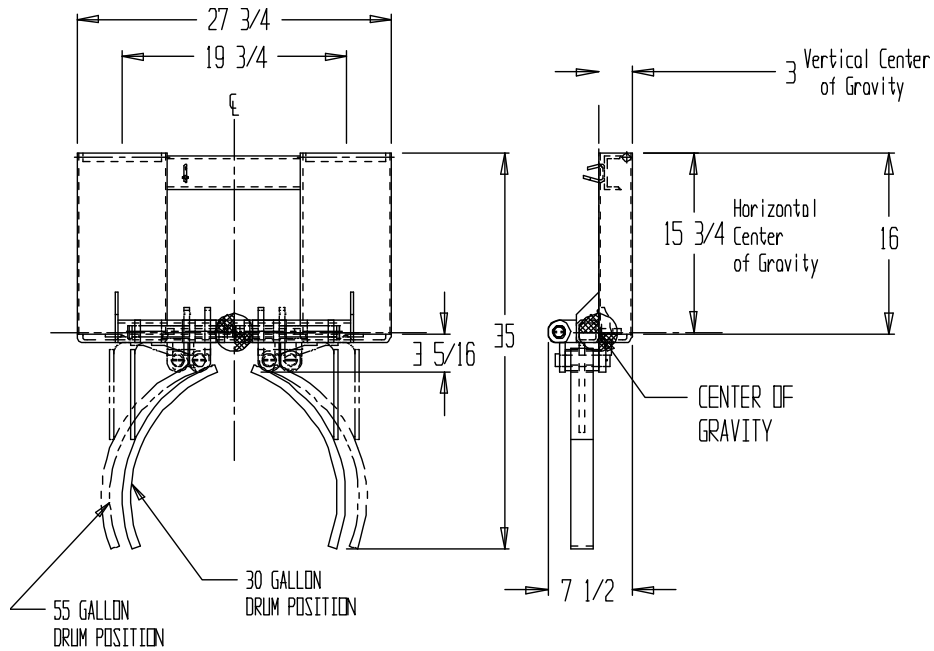
ITEM NO.	PART NUMBER	DESCRIPTION	QTY
1	09-514-085	FRAME, WELDMENT, BASE, DGD	1
2	40-512-001	HINGE, CASTING, ARM, FMDL SERIES	2
3	40-514-016	FRAME, CASTING, ARM, FMDL SERIES	2
4	40-112-001	PIN, MAIN, CLEVIS, FMDL SERIES	2
5	15-112-014	PIN, RETAINING, Ø1 CLEVIS x 4 1/2 LG.	3
6	65125	COTTER PIN Z PLATED, 3/16 x 1 1/2	5
7	09-514-086	FRAME, WELDMENT, MIDDLE ATTACHMENT, DGD	1
8	08-145-007	3/16" ASSEMBLY, CHAIN	1
9	08-145-008	SNAP HOOK	1

EXPLODED PARTS VIEW AND BILL OF MATERIALS – DGS-AG



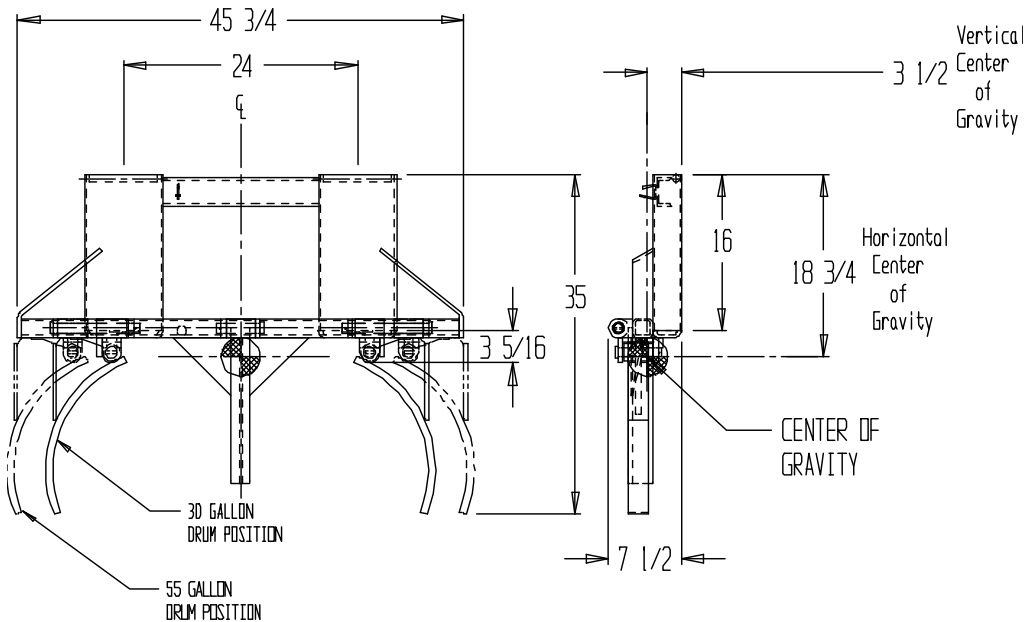
Item no.	Engineering part no.	Description	Quantity
1	40-514-060	Frame weldment	1
2	40-514-016	FMDL-series arm casting frame	2
3	15-112-014	1in. x 4½in. long retaining pin	2
4	65125	¾ in. x 1½in. zinc-plated cotter pin	6
5	40-514-059	Come-along post gripper bracket weldment	1
6	30-001-213-001	Load binder without hooks	1
7	40-112-013	Gripper guide pin	1
8	40-113-009	Shim/spacer	2
9	33018	¾ in. zinc-plated USS flat washer	6
10	40-146-003	Spring	2
11	40-537-007	Spring stopper weldment	2
12	36109	½ in. -13 UNC hex nut	4
13	40-516-009	Left side gripper casting bracket	1
14	40-516-010	Right side gripper casting bracket	1

CENTER OF GRAVITY VIEW- DGS-A



Horizontal Center of Gravity: 15 3/4"
 Vertical Center of Gravity: 3"
 Weight (Lost Load): 96 lbs
 Effective (unit) Thickness: Fork Length minus 16"

CENTER OF GRAVITY VIEW- DGD-A



Horizontal Center of Gravity: 18 3/4"
 Vertical Center of Gravity: 3 1/2"
 Weight (Lost Load): 136 lbs
 Effective (unit) Thickness: Fork Length minus 16"

SAFETY LABEL IDENTIFICATION

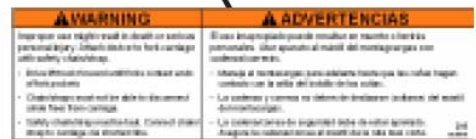
Periodically inspect the labels on the drum handler should. Clean the labels to the extent necessary to maintain good legibility from a reasonable viewing distance. Replace any label that is damaged. Contact the manufacturer for replacement labels.

MODEL/MODELO/MODELE	_____
CAPACITY	_____ lbs.
CAPACIDAD/CAPACITE	_____ kg.
SERIAL/SERIE/SERIE	_____

287
(COVERED WITH LABEL 815)



527



218

LIMITED WARRANTY

Vestil Manufacturing Corporation ("Vestil") warrants this product to be free of defects in material and workmanship during the warranty period. Our warranty obligation is to provide a replacement for a defective original part if the part is covered by the warranty, after we receive a proper request from the warrantee (you) for warranty service.

Who may request service?

Only a warrantee may request service. *You are a warrantee if* you purchased the product from Vestil or from an authorized distributor AND Vestil has been fully paid.

What is an "original part"?

An original part is a part used to make the product as shipped to the warrantee.

What is a "proper request"?

A request for warranty service is proper if Vestil receives: 1) a photocopy of the Customer Invoice that displays the shipping date; AND 2) a written request for warranty service including your name and phone number. Send requests by any of the following methods:

Mail
Vestil Manufacturing Corporation
2999 North Wayne Street, PO Box 507
Angola, IN 46703

Fax
(260) 665-1339
Phone
(260) 665-7586

Email
sales@vestil.com

In the written request, list the parts believed to be defective and include the address where replacements should be delivered.

What is covered under the warranty?

After Vestil receives your request for warranty service, an authorized representative will contact you to determine whether your claim is covered by the warranty. Before providing warranty service, Vestil may require you to send the entire product, or just the defective part or parts, to its facility in Angola, IN. The warranty covers defects in the following original dynamic components: motors, hydraulic pumps, electronic controllers, switches and cylinders. It also covers defects in original parts that wear under normal usage conditions ("wearing parts"), such as bearings, hoses, wheels, seals, brushes, and batteries.

How long is the warranty period?

The warranty period for original components is 90 days. The warranty period begins on the date when Vestil ships the product to the warrantee. If the product was purchased from an authorized distributor, the period begins when the distributor ships the product. Vestil may extend the warranty period for products shipped from authorized distributors by up to 30 days to account for shipping time.

If a defective part is covered by the warranty, what will Vestil do to correct the problem?

Vestil will provide an appropriate replacement for any covered part. An authorized representative of Vestil will contact you to discuss your claim.

What is not covered by the warranty?

1. Labor;
2. Freight;
3. Occurrence of any of the following, which automatically voids the warranty:
 - Product misuse;
 - Negligent operation or repair;
 - Corrosion or use in corrosive conditions;
 - Inadequate or improper maintenance;
 - Damage sustained during shipping;
 - Accidents involving the product;
 - Unauthorized modifications: DO NOT modify the product IN ANY WAY without first receiving written authorization from Vestil. Modification(s) might make the product unsafe to use or might cause excessive and/or abnormal wear.

Do any other warranties apply to the product?

Vestil Manufacturing Corp. makes no other express warranties. All implied warranties are disclaimed to the extent allowed by law. Any implied warranty not disclaimed is limited in scope to the terms of this Limited Warranty.

