



**VESTIL MANUFACTURING CORP.**

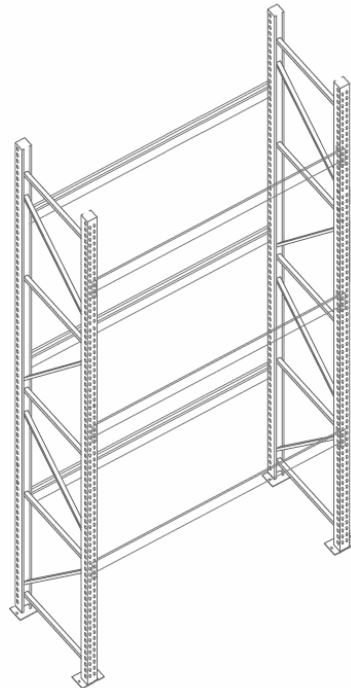
2999 North Wayne Street, P.O. Box 507, Angola, IN 46703

Telephone: (260) 665-7586 -or- Toll Free (800) 348-0868

Fax: (260) 665-1339

www.vestilmfg.com e-mail: [sales@vestil.com](mailto:sales@vestil.com)

**PRTD-SERIES PALLET RACKS**  
INSTRUCTION MANUAL



**Receiving instructions:**

After delivery, IMMEDIATELY remove the packaging from the Hook-Base in a manner that preserves the packaging and maintains the orientation of the product in the packaging; then inspect the product closely to determine whether it sustained damage during transport. **If damage is discovered during the inspection, immediately record a complete description of the damage on the bill of lading.** If the product is undamaged, discard the packaging.

**NOTES:**

- 1) Compliance with laws, regulations, codes, and non-voluntary standards enforced in the location where the product is *used* is exclusively the responsibility of the owner/end-user.
- 2) VESTIL is **not liable** for any injury or property damage that occurs as a consequence of failing to apply either:
  - a) Instructions in this manual; or b) information provided on labels affixed to the product. Neither is Vestil responsible for *any* consequential damages sustained as a result of failing to exercise sound judgment while assembling, installing, using or maintaining this product.

**Table of Contents**

Hazard identification: explanation of signal words.....	2
Safety Guidelines.....	2
Product specifications.....	3
Installation & maintenance.....	4-5
Limited warranty.....	6

## Hazard Identification--Explanation of SIGNAL WORDS

This manual uses SIGNAL WORDS to indicate the likelihood of personal injuries, as well as the probable seriousness of those injuries, if the product is misused in the ways described. Other signal words call attention to uses of the product likely cause property damage.

The signal words used appear below along with the meaning of each word:



Identifies a hazardous situation which, if not avoided, **WILL** result in **DEATH** or **SERIOUS INJURY**. Use of this signal word is limited to the most extreme situations.



Identifies a hazardous situation which, if not avoided, **COULD** result in **DEATH** or **SERIOUS INJURY**.



Indicates a hazardous situation which, if not avoided, **COULD** result in **MINOR** or **MODERATE** injury.



Identifies practices likely to result in product/property damage, such as operation that might damage the product.

Each person who assembles, installs, uses, or maintains this product should read the entire manual **in advance and fully understand the directions. If after reading the manual you do not understand an instruction, ask your supervisor or employer for clarification, because failure to adhere to the directions in this manual might result in serious personal injury.**

## SAFETY GUIDELINES

Vestil diligently strives to identify foreseeable hazards associated with the use of its products. However, material handling is inherently dangerous and no manual can address every conceivable risk. The end-user ultimately is responsible for exercising sound judgment at all times.



Electrocution might result if any part of the rack system or items or materials placed on the rack contacts electrified wires. Reduce the likelihood of electrocution by applying **common sense**:

➤ **DO NOT** *install the rack in a location where contact with electrified wires will occur.*



If this product is used or assembled improperly or carelessly, people in the area might sustain serious personal injuries or even be killed. **ALWAYS** use the product properly:

- **Failure to read and understand the entire manual before assembling, installing, loading or servicing the product constitutes misuse.** Read the manual to refresh your understanding of proper use and maintenance procedures as necessary.

- **DO NOT** exceed the maximum rated load.

- Inspect the rack periodically (AT LEAST once per month). **DO NOT** continue to use the rack if the inspection reveals structural damage. Examples of structural damage include: 1) warped, deformed, or damaged posts (uprights) or beams; 2) cracked welds; 3) enlargement of openings that receive beam studs; 4) corrosion, severe wear, or other condition that affects the ability of the product to support applied weight; 6) damaged, deformed or cracked cross-supports. Immediately tag out the rack, unload it completely, and replace each part that fails to pass an inspection. **DO NOT** use the product until it is fully restored to normal condition. **ONLY** use manufacturer-approved replacement parts.

- **DO NOT** use the product if any unusual noise or movement is observed. If a malfunction occurs, remove the unit from service and notify your supervisor or maintenance personnel about the issue.

- All loads stored on the rack must fit within the dimensions of the rack. **DO NOT** store any load that hangs over the rack.

- **DO NOT** use the pallet rack **UNLESS** it is securely anchored to the ground.

- **ALWAYS** evenly distribute and center the load on the rack.

- **ONLY** use this rack on even, level surfaces.

- **DO NOT** remove or obscure any label. All product labels must be readable and undamaged.

- **DO NOT** climb or sit on the rack.

- **DO NOT** modify the rack in any way. **Unauthorized modifications automatically void the limited warranty (see p. 6) and might make the rack unsafe to use.**



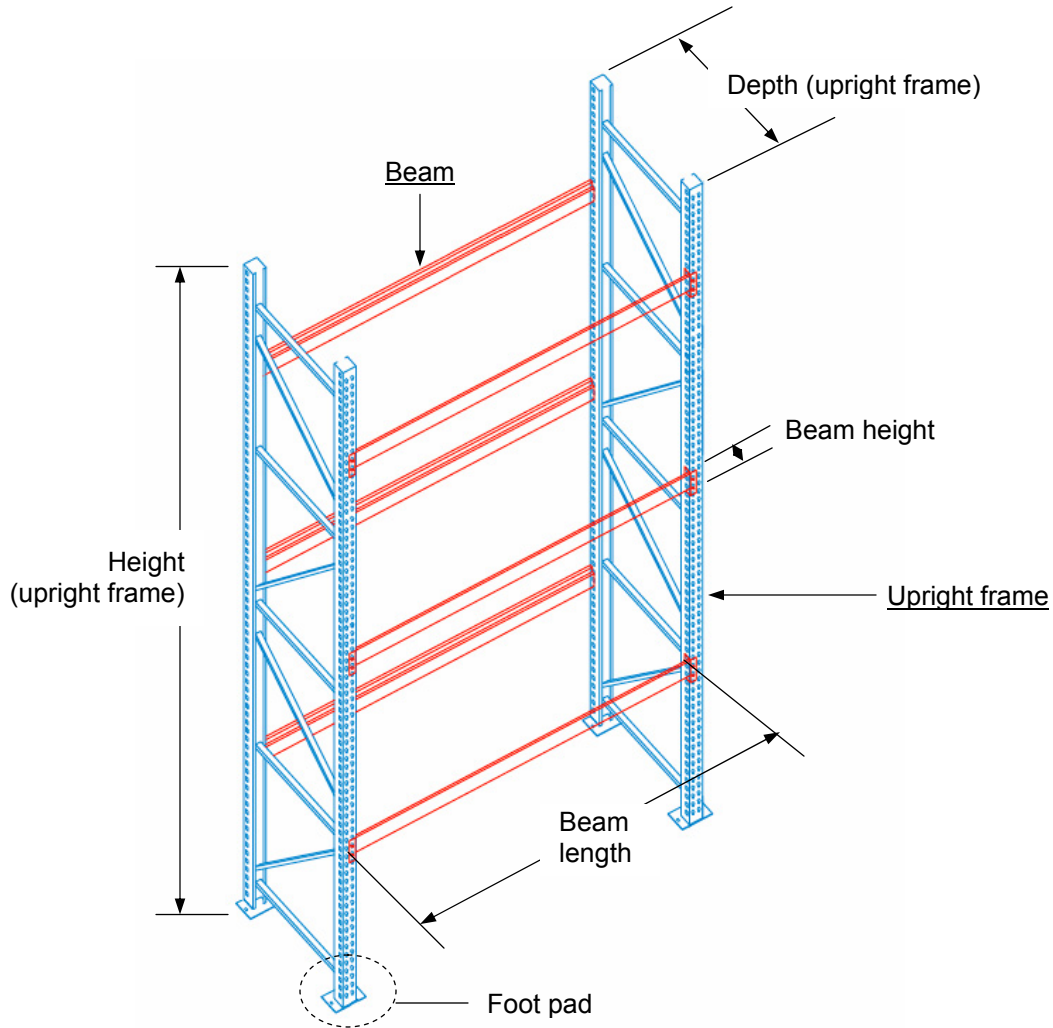
Proper maintenance is essential for this product to function properly and to last as long as possible.

- Always use this product in accordance with the instructions in this manual and consistent with any training relevant to the storage of materials on racks.

- Keep the rack clean & dry.

Product Specifications by Model:

Upright Frame Model	Capacity in pounds (kg)	Upright frame height	Upright frame depth	Net Weight
PRTD-10-42-19	19,380 (~8,809kg)	120in. (~305cm)	42in. (~107cm)	53 lbs (24.1kg)
PRTD-10-42-24	24,000 (~10,909kg)	120in. (~305cm)	42in. (~107cm)	65 lbs (29.5kg)
PRTD-12-42-19	19,380 (~8,809kg)	144in. (~366cm)	42in. (~107cm)	66 lbs (30kg)
PRTD-12-42-24	24,000 (~10,909kg)	144in. (~366cm)	42in. (~107cm)	78 lbs (35.5kg)
PRTD-14-42-19	19,380 (~8,809kg)	168in. (~427cm)	42in. (~107cm)	76 lbs (34.5kg)
PRTD-14-42-24	24,000 (~10,909kg)	168in. (~427cm)	42in. (~107cm)	90 lbs (40.9kg)
PRTD-16-42-19	19,380 (~8,809kg)	192in. (~488cm)	42in. (~107cm)	83 lbs (37.7kg)
PRTD-16-42-24	24,000 (~10,909kg)	192in. (~488cm)	42in. (~107cm)	102 lbs (46.4kg)



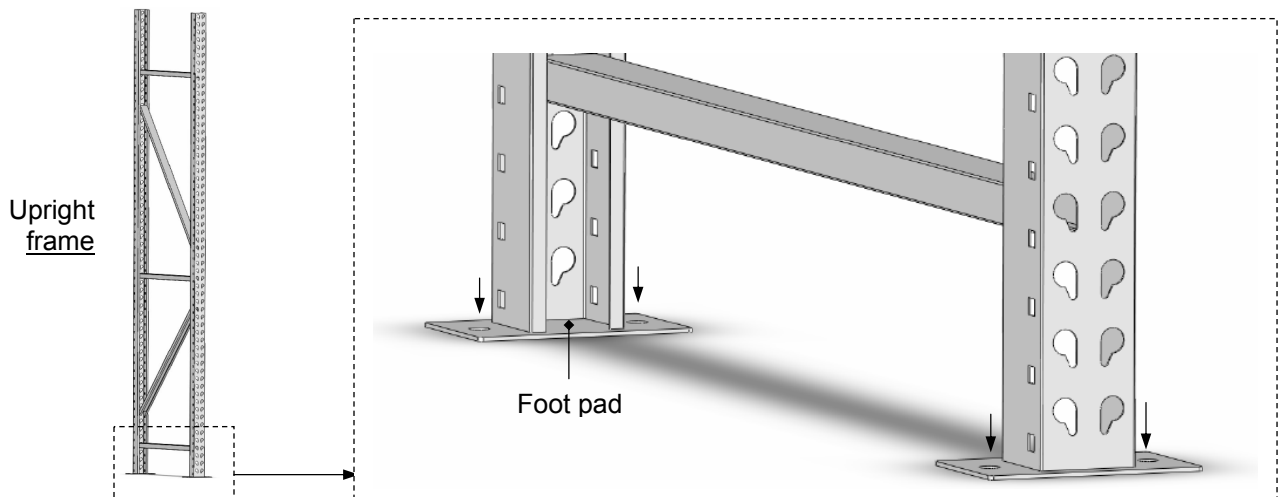
Beam Model	Capacity per Pair	Beam length	Beam height	Net Weight
BEAM-S-850	5,000 lbs (~2,272.7kg)	96 in. (~244cm)	6in. (~15.2cm)	33 lbs (~15 kg)
BEAM-S-870	7,000 lbs (~3,181.78kg)	96 in. (~244cm)	6in. (~15.2cm)	31 lbs (~14.1 kg)
BEAM-S-960	6,000 lbs (~2727.3kg)	108 in. (~274cm)	6in. (~15.2cm)	35lbs (~15.9 kg)
BEAM-S-970	7,000 lbs (~3,181.78kg)	108 in. (~274cm)	6in. (~15.2cm)	50 lbs (~22.7 kg)
BEAM-S-1050	5,000 lbs (~2,272.7kg)	120 in. (~305cm)	6in. (~15.2cm)	38 lbs (~17.3 kg)
BEAM-S-1070	7,000 lbs (~3,181.78kg)	120 in. (~305cm)	6in. (~15.2cm)	38 lbs (~17.3 kg)

## Installation

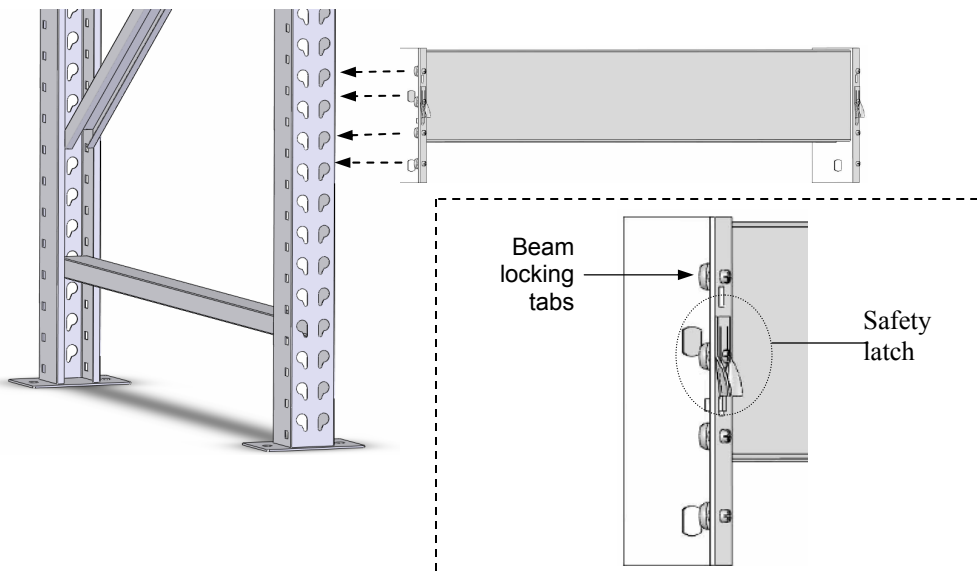
Installation requires lifting and manipulating components which individually might weigh as much as 102 pounds. We recommend that at least 3 people work together to install this pallet rack system.

1. Install the pallet rack on a level, even surface. Be certain to account for necessary aisle space, for example to accommodate lifting equipment, when selecting the installation location.
2. Position an upright frame piece in its desired location and mark the floor with the positions of the bolt holes in the foot pads (marked with arrows in FIG. 1 below).
3. To anchor the upright frame piece to the floor requires appropriately-matched anchor bolts selected by your building engineer. To match the diameter of the bolt holes in the foot pads of the upright frame pieces, anchor bolts should be  $\frac{1}{2}$  in. in diameter. Bolt length should be selected by your building engineer as well as the type of in-ground anchoring device.

**FIG. 1: Anchoring uprights to floor**



4. Drill holes for the anchor bolts and install the anchoring devices. Before bolting the upright frame to the ground, slide a lock washer followed by a flat washer onto each bolt; then slide the bolts through the bolt holes in the foot pads and into the anchoring device. Tighten the bolt to the anchor according to the instructions of the anchor bolt kit manufacturer.
5. Position the second upright frame piece, and mark the floor with the locations of the bolt holes. Repeat step 4 to anchor the upright to the floor. [NOTE: To position the second upright correctly, it might be necessary to install 2 beams as described in step 6.]
6. Install the beams. Insert the beam locking tabs into the teardrop openings in the uprights. Be sure to insert the locking tabs on both ends of the beam at the same height so that the beam is level. NOTE: The safety latches must extend into the top of a teardrop opening.



**Maintenance:**

At least once per month, inspect the pallet rack:

1. Check all hardware/fasteners to verify that all nuts, bolts and washers are in normal condition and are securely fastened together.
2. Look for damage or corrosion that might compromise the structural integrity of any beam or upright frame piece. If any structural damage is present, immediately tag the rack out of service. Replace all damaged components and do not use the rack again until it has been fully restored to normal condition.
3. Verify that all racks are level, plumb and square.

## LIMITED WARRANTY

Vestil Manufacturing Corporation ("Vestil") warrants this product to be free of defects in material and workmanship during the warranty period. Our warranty obligation is to provide a replacement for a defective original part if the part is covered by the warranty, after we receive a proper request from the warrantee (you) for warranty service.

### Who may request service?

Only a warrantee may request service. *You are a warrantee if* you purchased the product from Vestil or from an authorized distributor AND Vestil has been fully paid.

### What is an "original part"?

An original part is a part used to make the product as shipped to the warrantee.

### What is a "proper request"?

A request for warranty service is proper if Vestil receives: 1) a photocopy of the Customer Invoice that displays the shipping date; AND 2) a written request for warranty service including your name and phone number. Send requests by any of the following methods:

Mail  
Vestil Manufacturing Corporation  
2999 North Wayne Street, PO Box 507  
Angola, IN 46703

Fax  
(260) 665-1339  
Phone  
(260) 665-7586

Email  
sales@vestil.com

In the written request, list the parts believed to be defective and include the address where replacements should be delivered.

### What is covered under the warranty?

After Vestil receives your request for warranty service, an authorized representative will contact you to determine whether your claim is covered by the warranty. Before providing warranty service, Vestil may require you to send the entire product, or just the defective part or parts, to its facility in Angola, IN. The warranty covers defects in the following *original* dynamic components: motors, hydraulic pumps, electronic controllers, switches and cylinders. It also covers defects in *original* parts that wear under normal usage conditions ("wearing parts"), such as bearings, hoses, wheels, seals, brushes, and batteries.

### How long is the warranty period?

The warranty period for original components is 1 year. The warranty period begins on the date when Vestil ships the product to the warrantee. If the product was purchased from an authorized distributor, the period begins when the distributor ships the product. Vestil may extend the warranty period for products shipped from authorized distributors by *up to* 30 days to account for shipping time.

### If a defective part is covered by the warranty, what will Vestil do to correct the problem?

Vestil will provide an appropriate replacement for any *covered* part. An authorized representative of Vestil will contact you to discuss your claim.

### What is not covered by the warranty?

1. Labor;
2. Freight;
3. Occurrence of any of the following, which automatically voids the warranty:
  - Product misuse;
  - Negligent operation or repair;
  - Corrosion or use in corrosive environments;
  - Inadequate or improper maintenance;
  - Damage sustained during shipping;
  - Collisions or other incidental contacts causing damage to the product;
  - Unauthorized modifications: DO NOT modify the product IN ANY WAY without first receiving written authorization from Vestil. Modification(s) might make the product unsafe to use or might cause excessive and/or abnormal wear.

### Do any other warranties apply to the product?

Vestil Manufacturing Corp. makes no other express warranties. All implied warranties are disclaimed to the extent allowed by law. Any implied warranty not disclaimed is limited in scope to the terms of this Limited Warranty.

