



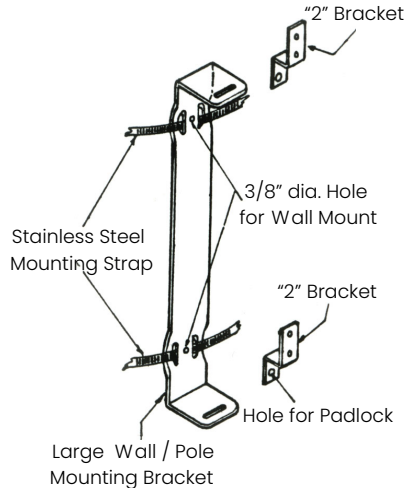
## B-1022 BRACKET INSTALLATION

### Bracket Kit Includes:

- (1) Large Pole/Wall Bracket
- (2) "2" Brackets
- (4) 1/4-20" x 1/2" Hex Head Bolts
- (4) 1/4-20" Nylock Nuts
- (2) Stainless Steel Straps

### Mounting

- 1) Decide proper height for basket and mount large bracket to pole or wall. Bottom of bracket should be positioned 3/4" higher than final height to bottom of basket.

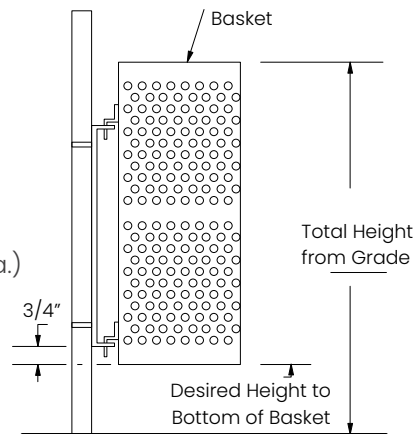


### For Pole Mount

- 2) Insert straps as show through the top and bottom of large bracket and tighten onto pole. Cut off any unused portion of the strap. (Approximately 2" beyond the clip.)

### For Wall Mount

- 2) Screw or bolt the large bracket, using the recommended hardware for your particular substrate, through the two large holes (3/8" dia.) located between the strap mounting slots on the large bracket.



### To Mount "2" Brackets

- 3) Mount both "2" brackets on the baskets, with the pad lock hole flange pointing down, using (2) 1/4-10 x 1/2" hex head bolts and (2) nylock nuts per bracket.