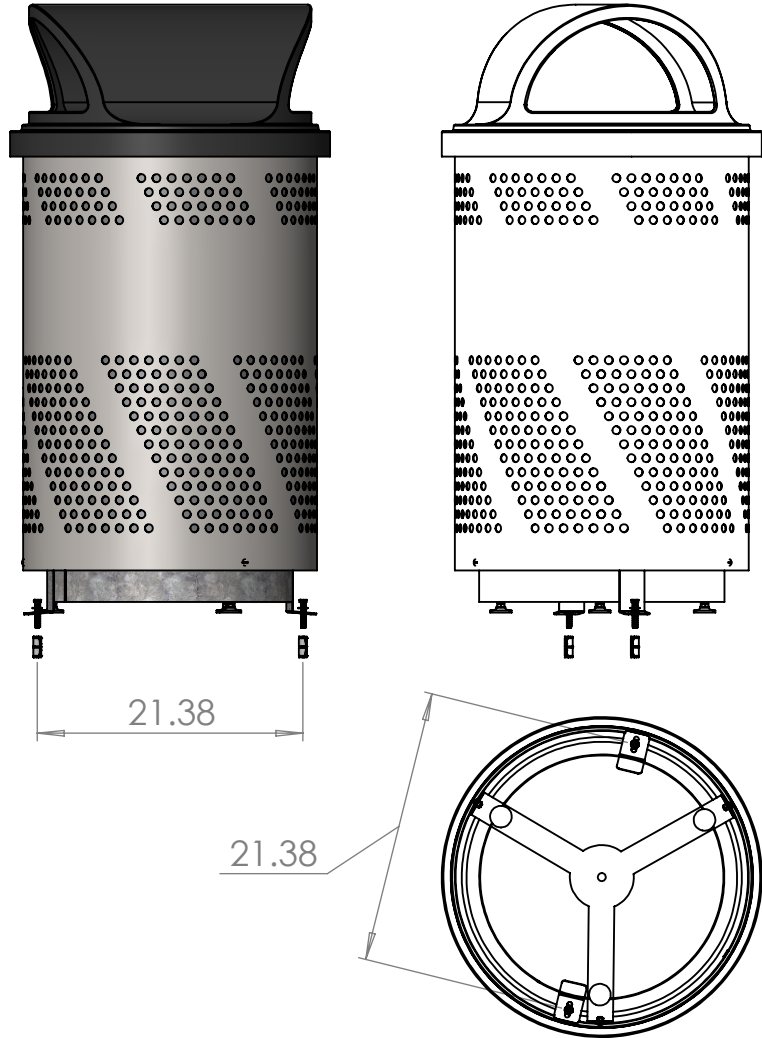
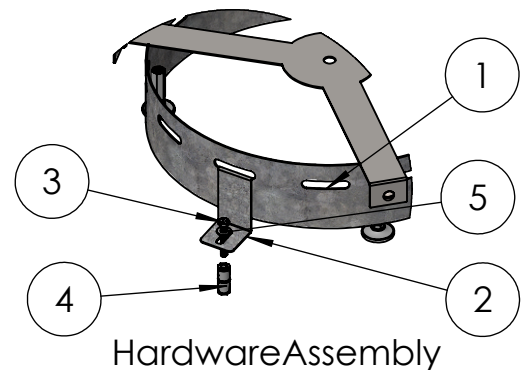


Instructions:

1. Roughly position unit in desired location and adjust leveling feet to a position which will be flush with mounting clip.
2. Ground Mounting clips should be positioned opposite each other. Hook top end thru obround hole in base ring, tab to the outside. Position the other clip on the opposite side.
3. Mark drill location, Hole center should be approximately 21-3/8"
4. To install anchor, drill a 5/8" diameter hole into the mounting surface, the approximate depth of the anchor. Insert the anchor into hole with threaded side down. Tap the anchor into the hole until it is flush with the surface. Repeat with second anchor.
5. Place unit with clips over the mounting anchors and thread the 5/16-18 x 2" hex head bolt thru the washer and then thru the anchor clip, into the concrete anchor. Tighten as required. If necessary to stabilize unit after tightening the mounting bolts, increase the height of one of the leveling feet to eliminate any rocking movement of the unit.



ITEM NO.	PART NUMBER	DESCRIPTION	QTY.
1	ARENA-X51	Arena can	1
2	80-XLV-002	Ground Mounting Clip	2
3	30-079-2	5/16-18 x 2" HHMS	2
4	45-400-A	5/16-18 Anchor	2
5	33-014	Galv Washer	2



Instruction: Ground Mounting Kit

Model Number: ARENA-X51

THIS DRAWING IS THE PROPERTY OF EX-CELL KAISER, LLC. ALL RIGHTS TO DESIGN AND INTENT ARE RESERVED TO BE USED ONLY FOR THE EXPLICIT WRITTEN PURPOSE AGREED TO BY EX-CELL, KAISER, LLC.