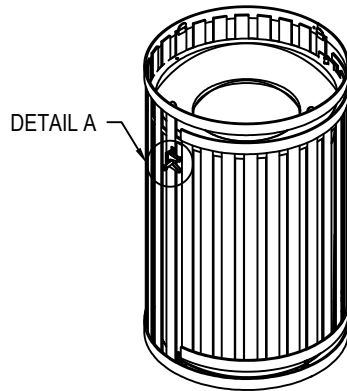
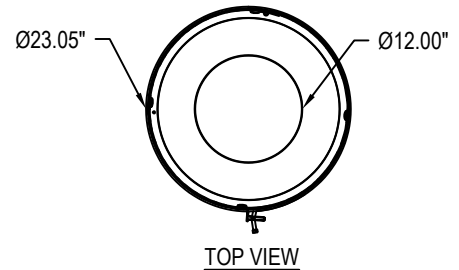


SELECT DESIRED STANDARD FINISH:

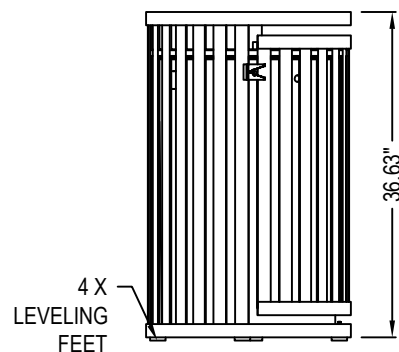
- COFFEE GLOSS
- HUNTER GREEN GLOSS
- BLACK GLOSS
- CUSTOM (ANY RAL COLOR MATCH)



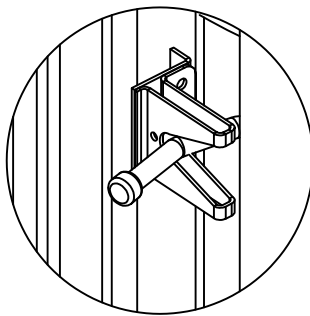
PERSPECTIVE
45 GALLON RECEPTACLE



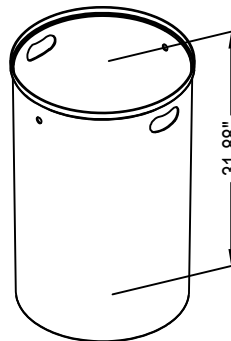
TOP VIEW



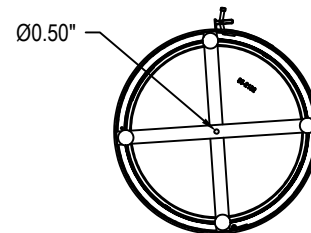
FRONT VIEW



DETAIL A



PERSPECTIVE
45 GALLON LINER



BOTTOM VIEW

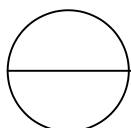
SPECIFICATIONS

BODY AND BOTTOM: 3/16" X 1.5" STEEL BARS. COMPLETELY WELDED CONSTRUCTION.

- PREPARED IN 5 STAGE PRETREATMENT AND ELECTROSTATICALLY POWDER COATED WITH TGIC POLYESTER POWDER COATING 2-3 MIL THICKNESS. MULTIPLE VARIATIONS.
- UL-94 RATED RIGID LEAKPROOF LINER, 45 GALLON CAPACITY. BLACK, LLDPE WITH CUT OUT LIFT HANDLE AND BAG RETENTION HOLES.
- UNIT SITS ON 4 LEVELING FEET WHICH ARE ADJUSTABLE.
- FLAT LID IS PERMANENTLY AFFIXED TO UNIT.
- GROUND MOUNTING KIT IS INCLUDED. (CONCRETE ANCHOR, 5/16-18 X 2.0" HEX HEAD BOLT AND 3/8 FLAT WASHER)

NOTES:

1. INSTALLATION TO BE COMPLETED IN ACCORDANCE WITH MANUFACTURER'S SPECIFICATIONS.
2. DO NOT SCALE DRAWING.
3. THIS DRAWING IS INTENDED FOR USE BY ARCHITECTS, ENGINEERS, CONTRACTORS, CONSULTANTS AND DESIGN PROFESSIONALS FOR PLANNING PURPOSES ONLY. THIS DRAWING MAY NOT BE USED FOR CONSTRUCTION.
4. ALL INFORMATION CONTAINED HEREIN WAS CURRENT AT THE TIME OF DEVELOPMENT BUT MUST BE REVIEWED AND APPROVED BY THE PRODUCT MANUFACTURER TO BE CONSIDERED ACCURATE.
5. CONTRACTOR'S NOTE: FOR PRODUCT AND COMPANY INFORMATION VISIT www.CADdetails.com/info AND ENTER REFERENCE NUMBER 5283-022



STREETSCAPE COLLECTION

45 GALLON OUTDOOR TRASH RECEPTACLE W/ FUNNEL TOP AND DOOR (SCTP-40)