

# DURATECH® STAINLESS STEEL

## SELF RETRACTING LIFELINES

### ANSI Z359.14-2014 Compliant

DuraTech® SRLs deliver proven performance and reliability that users depend on every day and, the reduced activation and arresting distances deliver lower minimum required fall clearances. Built with precision machined aluminum alloy drums and housings, dual internal inertial brake discs, brass pawls, lightweight manganese ratchet centers, and aluminum main shafts, DuraTech SRLs are available in a variety of lengths from 20' to 60' to fit most overhead fall arrest applications.

DuraTech® SRLs feature a side-payout housing design for uniform operation and reduced wear on the orifice and provide a stackable function for easy storage. Furnished with an internal braking system that delivers positive deceleration, a load-indicating swivel snap hook and our Recoil Spring hand-grip assembly to help prevent accidental user lock-up.

DuraTech® CS-series SRLs include 3/16" stainless steel cable lifelines for longer service life compared to standard galvanized steel cable. Additionally, we also offer CSS-series SRLs with additional stainless steel components including the load-indicating swivel snap hook and the internal pressure plate. All CS and CSS-series SRLs deliver the



**7268CSS**  
50' DuraTech Cable SRL



3/16" stainless steel cable featured on all CS and CSS-series



Stainless Steel Swivel Snap Hook and Pressure Plate included with CSS-series



Side-payout Housing featured on all CS and CSS-series

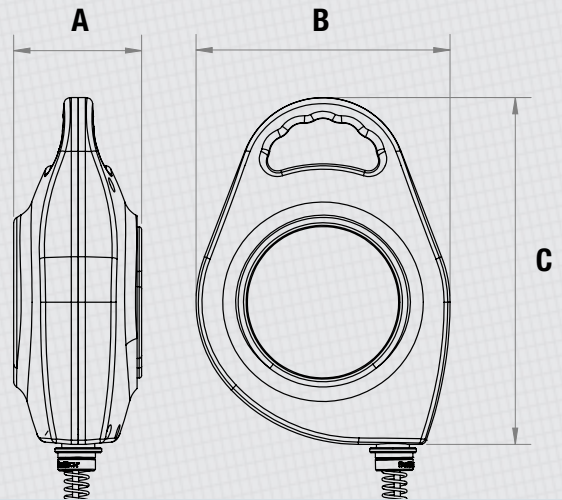


Unique housing design allows stackability among all sizes.

# DURATECH<sup>®</sup> STAINLESS STEEL

## SELF RETRACTING LIFELINES

DuraTech Stainless Steel SRLs	
Part #	Product Description
7227CS	20' DuraTech Cable SRL, Stainless Steel Cable
7232CS	30' DuraTech Cable SRL, Stainless Steel Cable
7268CS	50' DuraTech Cable SRL, Stainless Steel Cable
7265CS	60' DuraTech Cable SRL, Stainless Steel Cable
7227CSS	20' DuraTech Cable SRL, Stainless Steel Cable, Connector and Plate
7232CSS	30' DuraTech Cable SRL, Stainless Steel Cable, Connector and Plate
7268CSS	50' DuraTech Cable SRL, Stainless Steel Cable, Connector and Plate
7265CSS	60' DuraTech Cable SRL, Stainless Steel Cable, Connector and Plate



DuraTech Housing Dimensions			
Part #	A	B	C
7227CS 7227CSS	3¾"	6¾"	9½"
7232CS 7232CSS	4"	8"	11"
7268CS 7268CSS 7265CS 7265CSS	4½"	9¾"	12¾"

Performance Specifications		
Part #	7227CS 7227CSS 7232C 7232CSS	7265CS 7265CSS 7268C 7268CSS
ANSI SRL Class:	A	B
Average Arrest Force:	1,575 lbs Max	1,125 lbs Max
Max. Arrest Distance:	24" or Less	54" or less
Max. Arrest Force:	1,800 lbs	
Static Strength:	3,000 lbs Minimum	
User Capacity:	130 lbs to 310 lbs Maximum	

Material Specifications		
Cable Lifeline:	3/16" 7x19 Stainless Steel	3,400 lbs Min Static Strength
Lifeline Connector:	Alloy Steel Swivel Snap Hook	5,000 lbs Min Static Strength
	Stainless Steel Swivel Snap Hook	
Housing and Drum:	Aluminum Alloy	

Relevant Standards	
ANSI:	Z359.14-2014
OSHA:	1926.502, 1910.66