

Assembly Instruction

Guardrail Post Adaptor Sleeve for #7460A Parapet Clamp

This adaptor sleeve is intended to be placed in the top of the #7460A parapet clamp as a support bushing for the insertion of the #6401422 Temporary Guardrail Post. Please refer to the User's Instruction Manual for proper installation and use of both the #7460A Parapet Clamp and the #6401422 Temporary Guardrail Post.

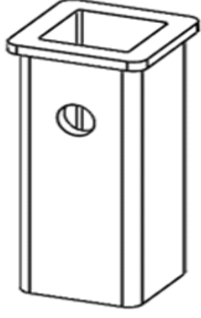
Table 1: Specifications for Guardrail Adaptor			
Part Number	Dimensions	Material	Guardrail Adaptor
6409PC	Overall: 3" x 3" x 4.3" Guardrail: 1.25" x 1.25"	Material: EPDM Rubber	

Figure 1: Insert Bushing Into Top of Parapet Clamp

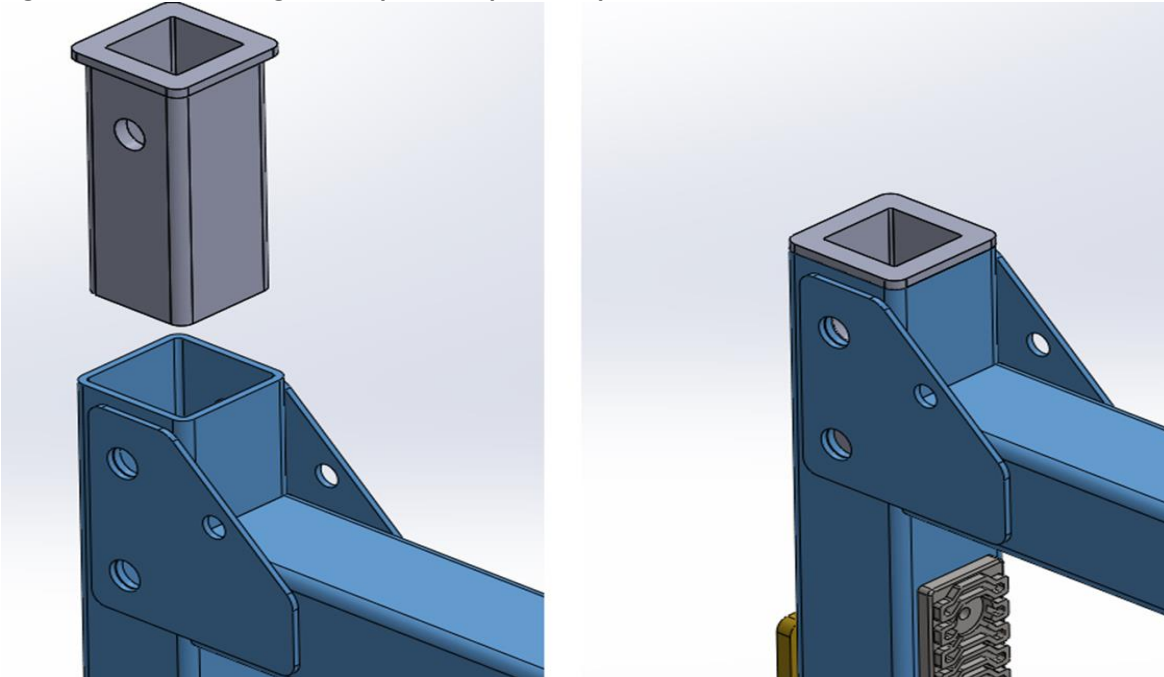


Figure 2: Installing #6401422 Temporary Guardrail Post

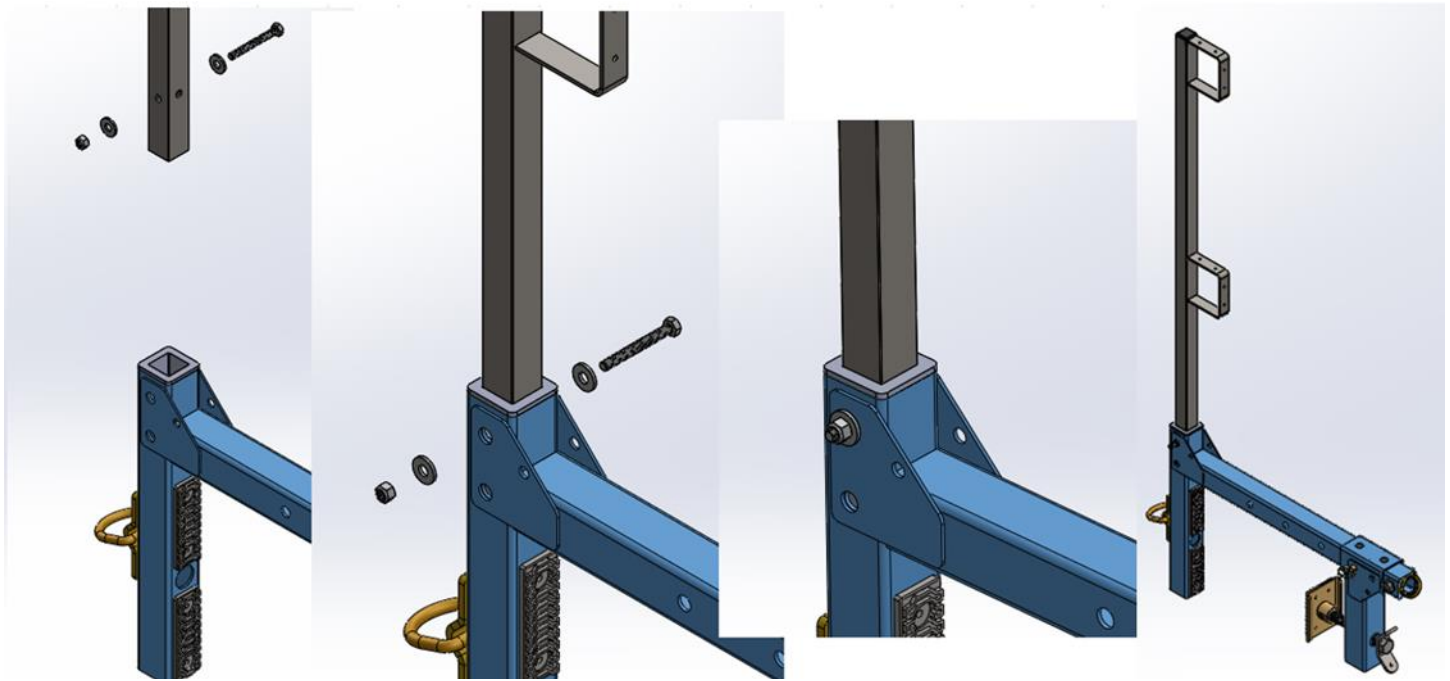
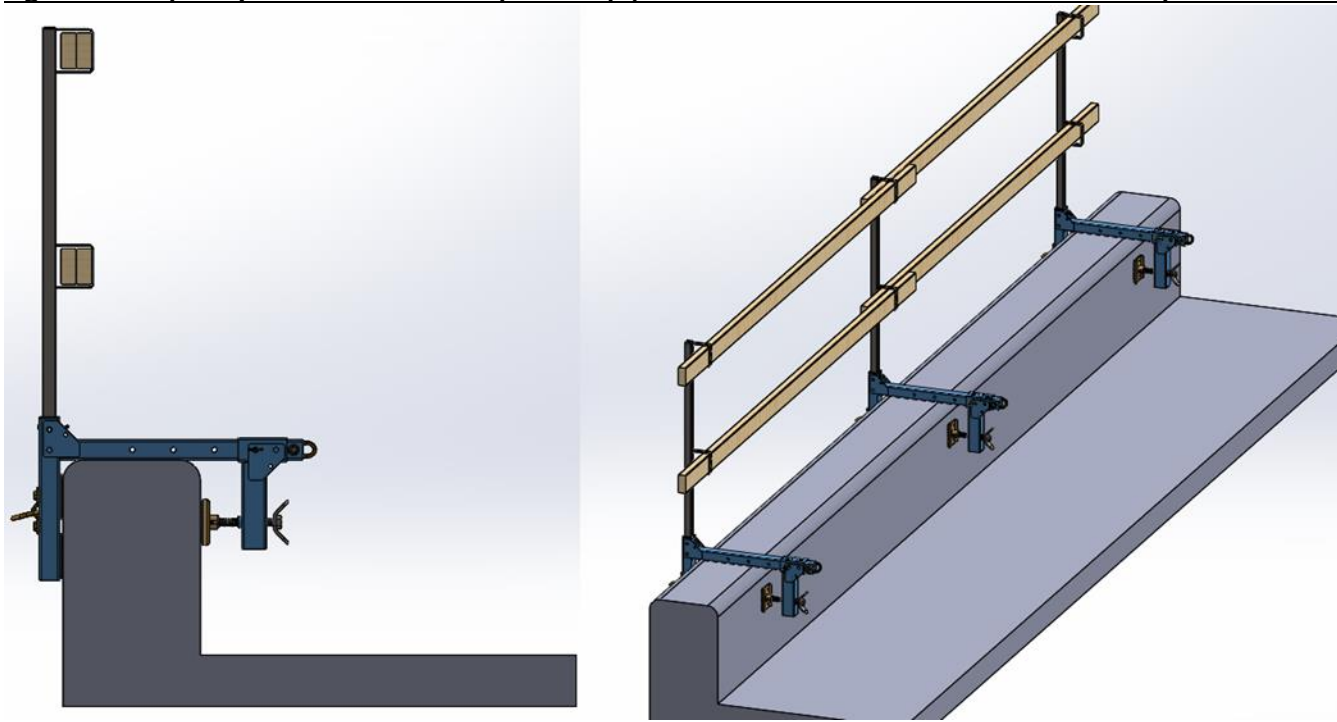


Figure 3: Temporary Guardrail With Parapet Clamp (Refer to User's Instruction Manual for Complete Installation)



FallTech
1306 South Alameda Street
Compton, CA 90221, USA
1-800-719-4619
1-323-752-0066
www.FallTech.com
2017[©]