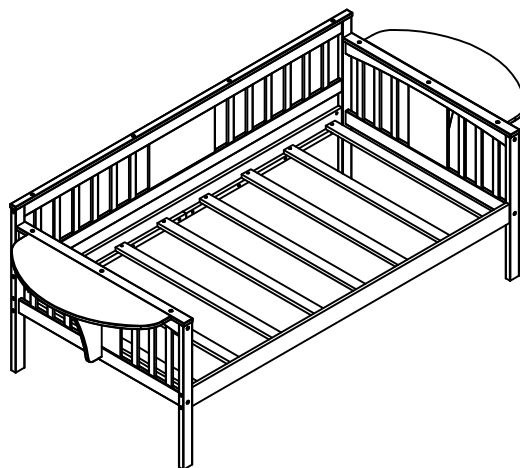


ASSEMBLY INSTRUCTIONS

TWIN BED

Thank you for purchasing this quality product. Be sure to check all packing materials carefully for small parts which may have come loose inside the carton during shipment. Separate, identify and count all parts and hardware. Compare with the parts list to be sure all parts are present.



**"DO NOT TIGHTEN SCREWS
UNTIL COMPLETELY ASSEMBLED"**

SIZE OF MATTRESS AND FOUNDATION (SUPPORT)

This bed is designed to use a twin mattress (37½"-38½"x74-75") and bunkie board (37½"x74"). The total thickness must not exceed **6"** inches. Do not use mattress without the proper bunkie board of safe foundation.

Note: There must be at least **5"** inches from top surface of mattress to top edge or guardrails.

REPLACEMENT PARTS.

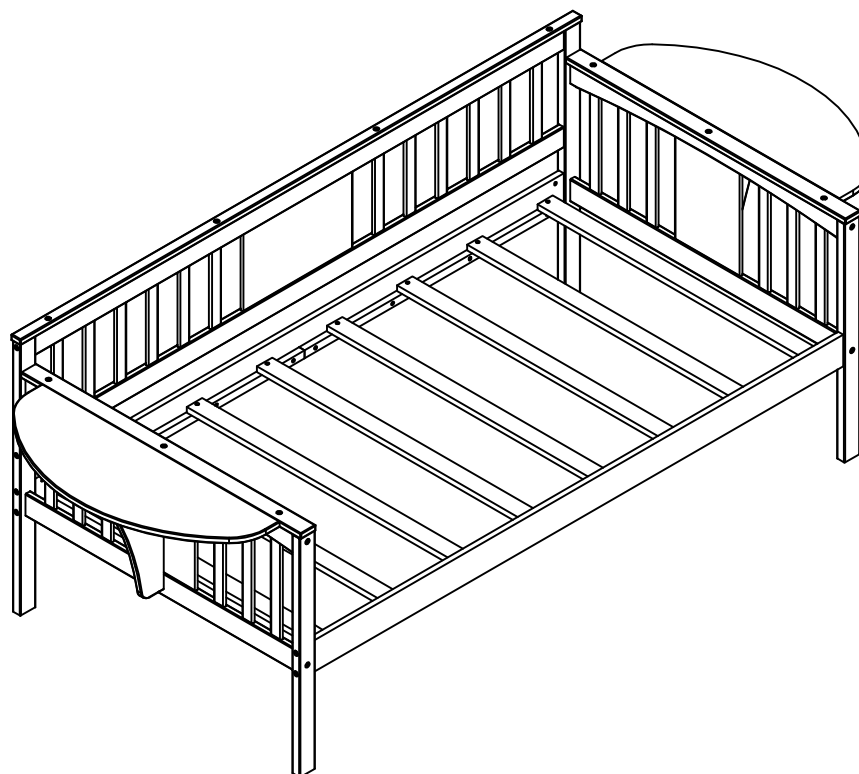
Replacement parts, including additional guardrails, may be obtained from place of purchase or original distributor.



IMPORTANT: PLEASE READ INSTRUCTIONS BEFORE STARTING THE ASSEMBLY

ASSEMBLY INSTRUCTIONS

TWIN BED



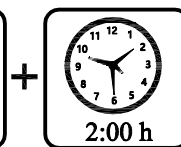
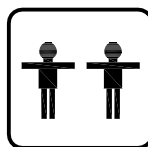
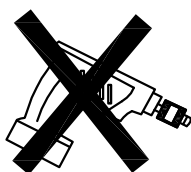
Thank you for purchasing this quality product. Be sure to check all packing materials carefully for small parts which may have come loose inside the carton during shipment. Separate, identify and count all parts and hardware.

Compare with the parts list to be sure all parts are present.

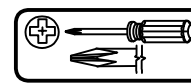
"DO NOT TIGHTEN SCREWS UNTIL COMPLETELY ASSEMBLED"



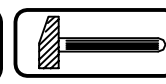
- * Use of power tool to assemble this product will invalidate any claim and damages this product making unsafe !!!
- * Please assemble on a clean soft surface to avoid damage.



Tools Required



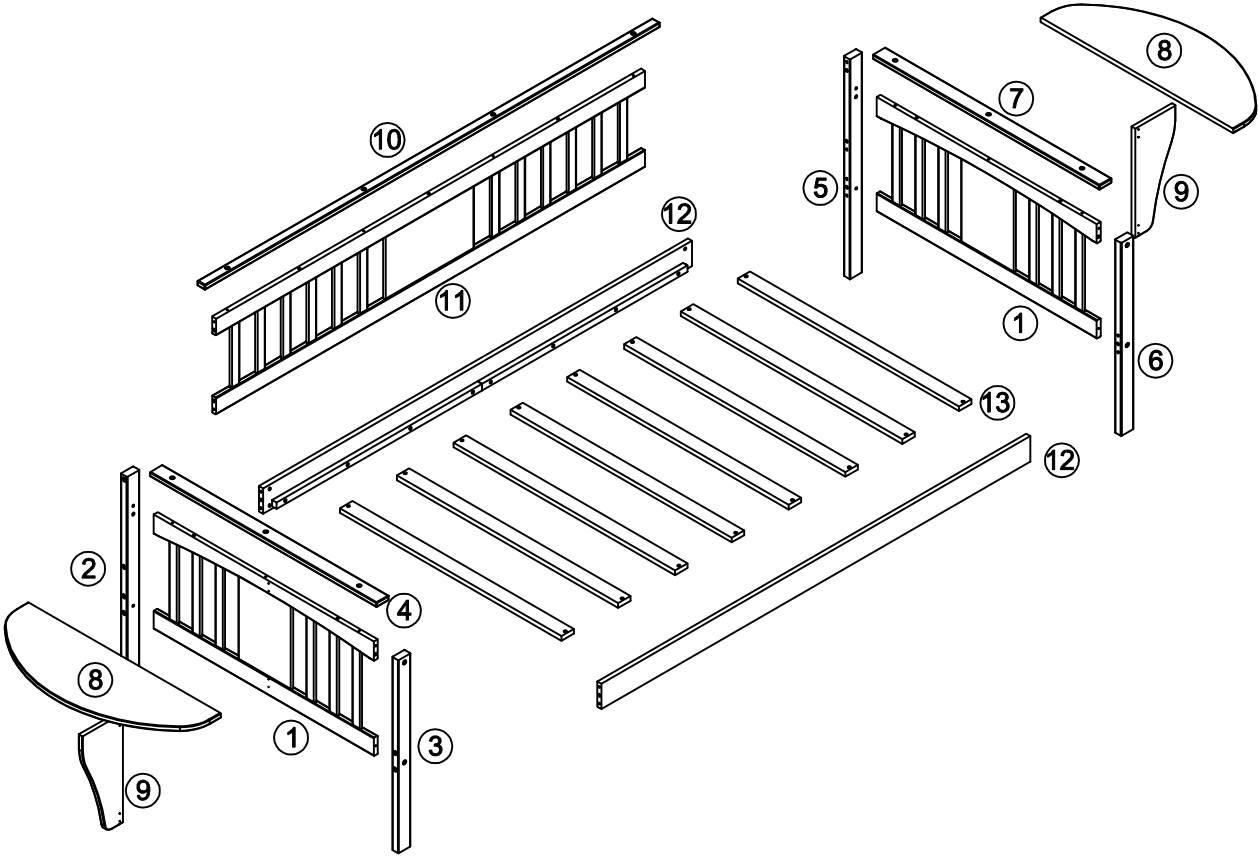
(Not included)



(Not included)

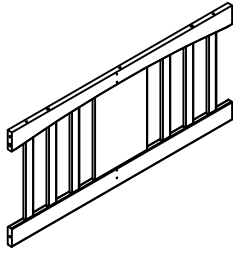
IMPORTANT:
PLEASE READ INSTRUCTIONS BEFORE STARTING THE ASSEMBLY

Detail View - TWIN BED



Part List

1 : Side Frame - 2pcs



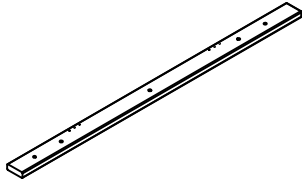
2 : Left Back Post - 1pc



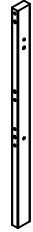
3 : Left Front Post - 1pc



4 : Left Cap - 1pc



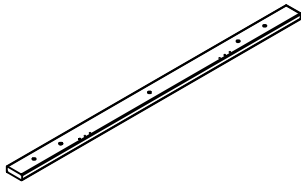
5 : Right Back Post - 1pc



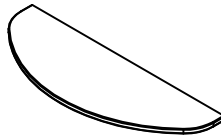
6 : Right Front Post - 1pc



7 : Right Cap - 1pc



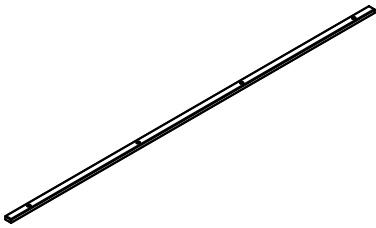
8 : Side Top Panel - 2pcs



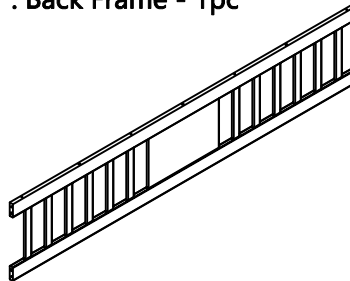
9 : Bracket - 2pcs



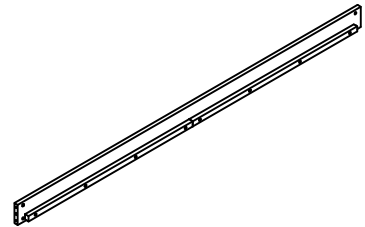
10 : Back Cap - 1pc



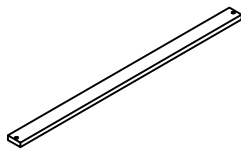
11 : Back Frame - 1pc



12 : Rail - 2pcs

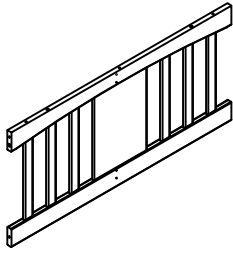


13 : Slat - 8pcs

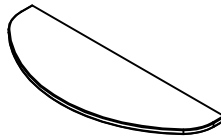


Part List - WF282117

1 : Side Frame - 2pcs



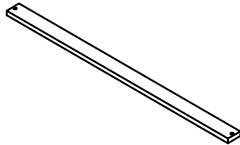
8 : Side Top Panel - 2pcs



9 : Bracket - 2pcs



13 : Slat - 8pcs



Part List - WF282118

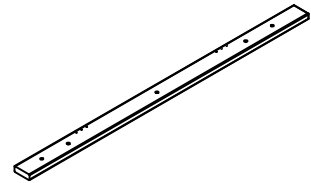
2 : Left Back Post - 1pc



3 : Left Front Post - 1pc



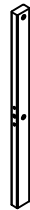
4 : Left Cap - 1pc



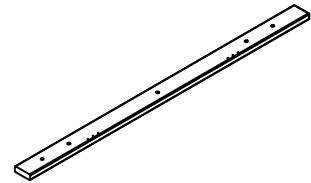
5 : Right Back Post - 1pc



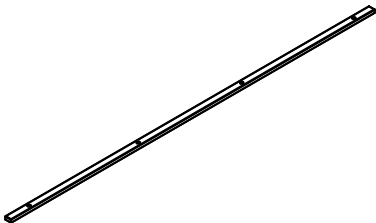
6 : Right Front Post - 1pc



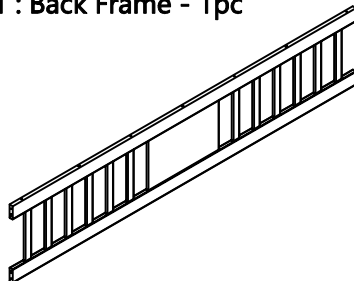
7 : Right Cap - 1pc



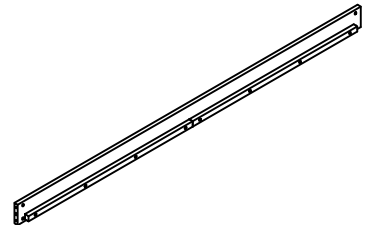
10 : Back Cap - 1pc














11 : Back Frame - 1pc



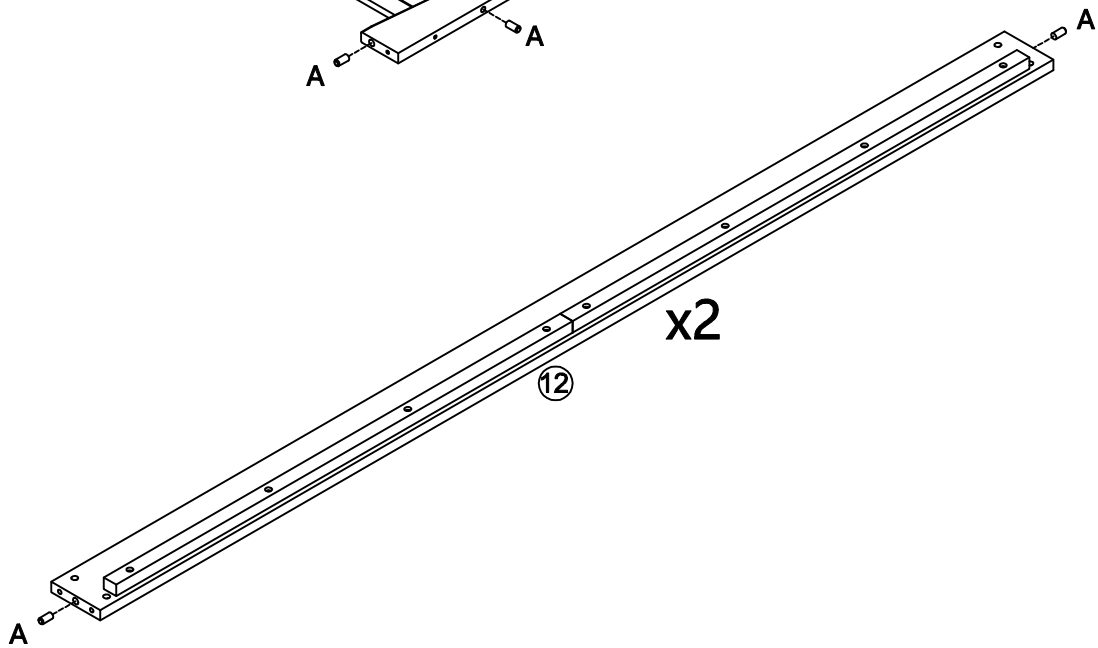
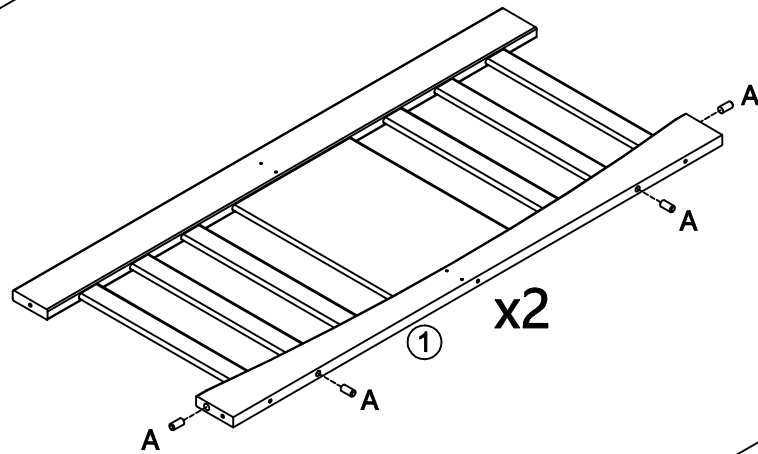
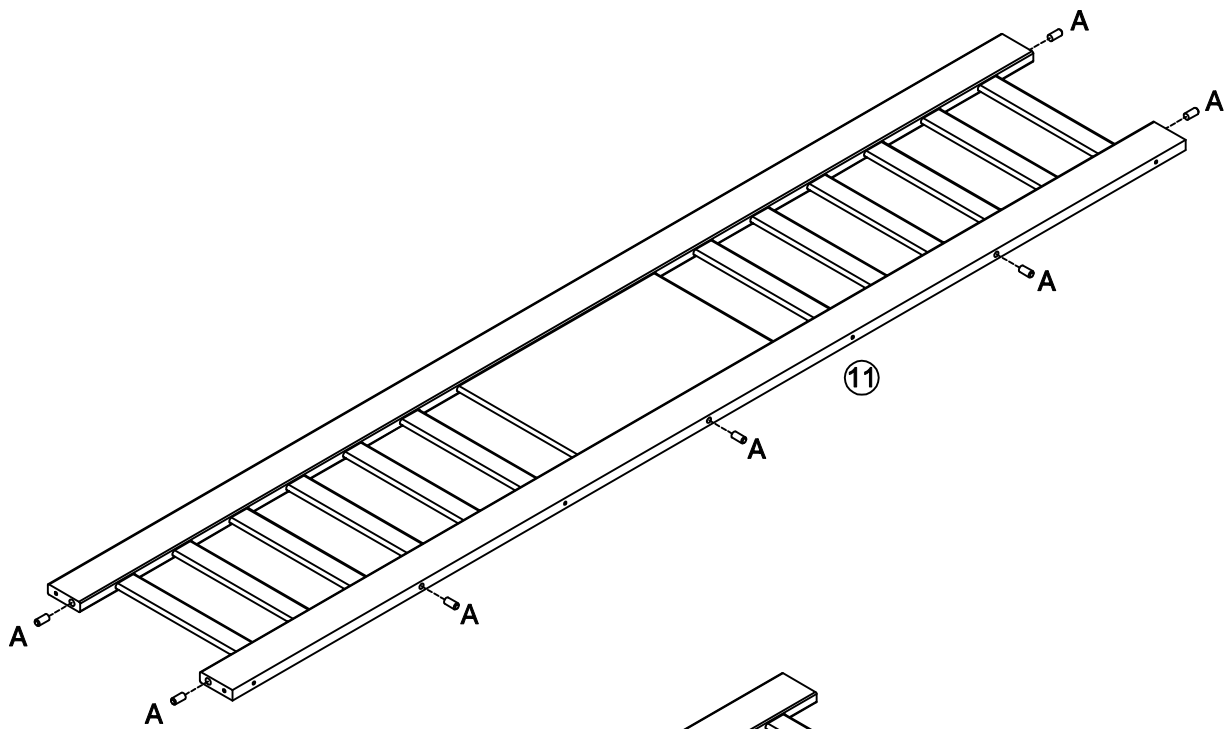
12 : Rail - 2pcs




Hardware List - WF282117

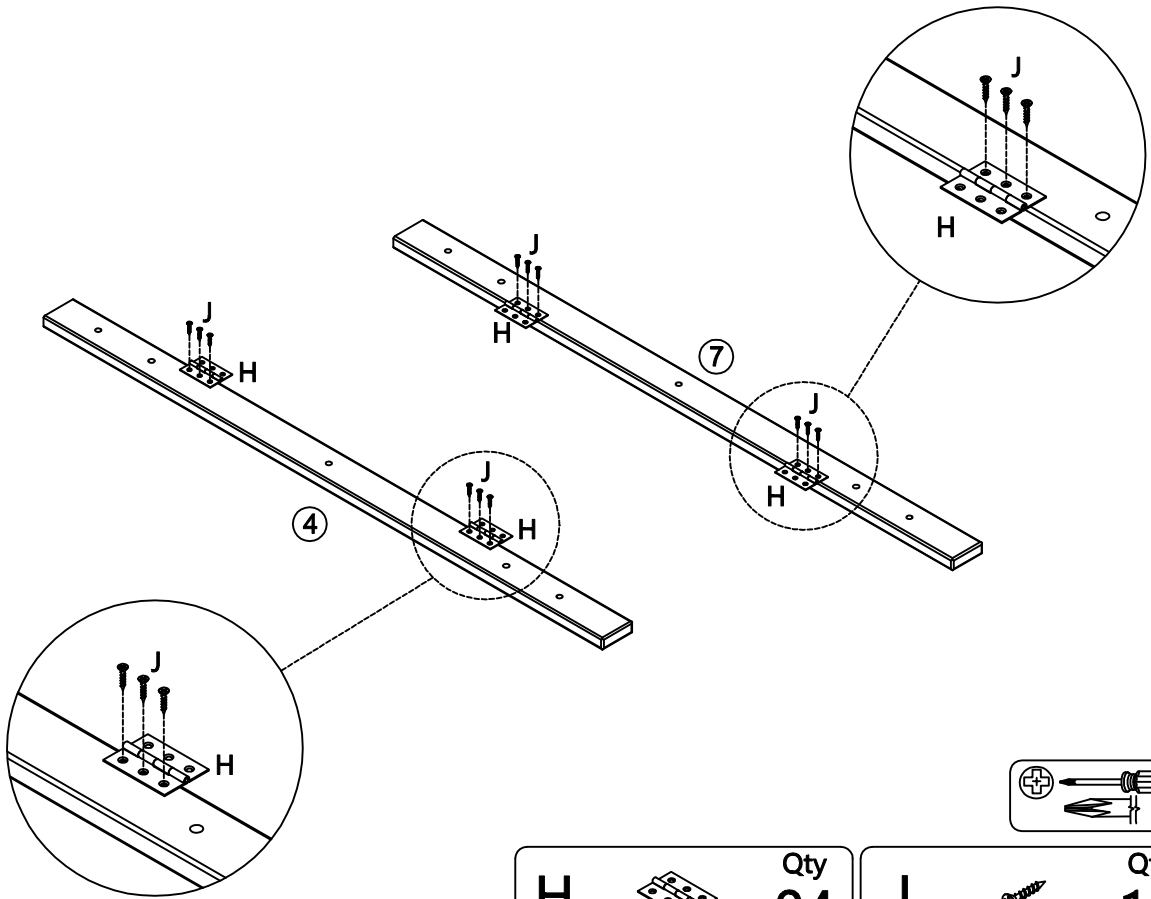
<p>A : Wood Dowel - 19pcs</p>  <p>∅ 10x40mm</p>	<p>B : Hex - Head Screw - 10pcs</p>  <p>∅ 6.2x32mm</p>	<p>C : Hex - Head Screw - 8pcs</p>  <p>∅ 6.2x50mm</p>
<p>D : Hex - Head Screw - 4pcs</p>  <p>∅ 6.2x70mm</p>	<p>E : Hex - Head Bolts - 8pcs</p>  <p>∅ 1/4"x70mm</p>	<p>F : Horizontal-Hole Bolts - 8pcs</p>  <p>∅ 1/4"x∅10x12.5mm</p>
<p>G : Round Head Screw - 16pcs</p>  <p>∅ 4x30mm</p>	<p>H : Hinge - 4pcs</p>  <p>55x40mm</p>	<p>I : Hinge - 4pcs</p>  <p>44x36mm</p>
<p>J : Flat Head Screw - 40pcs</p>  <p>∅ 3.5x14mm</p>	<p>Z : Allen Wrench - 1pc</p>  <p>4mm</p>	


Step: 1




A  Qty
19

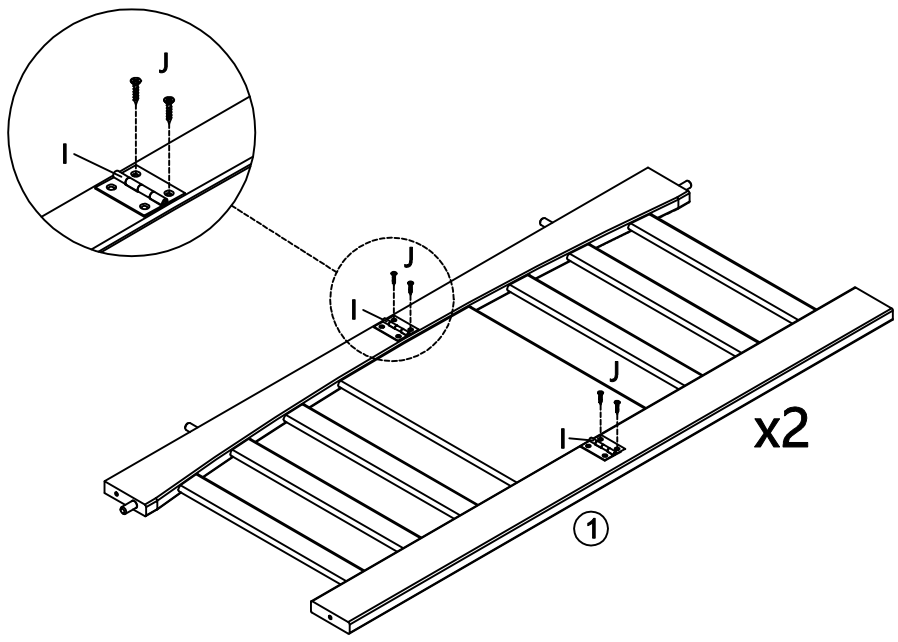
Step: 2




H		Qty 04
---	--	------------------

J		Qty 12
---	---	------------------

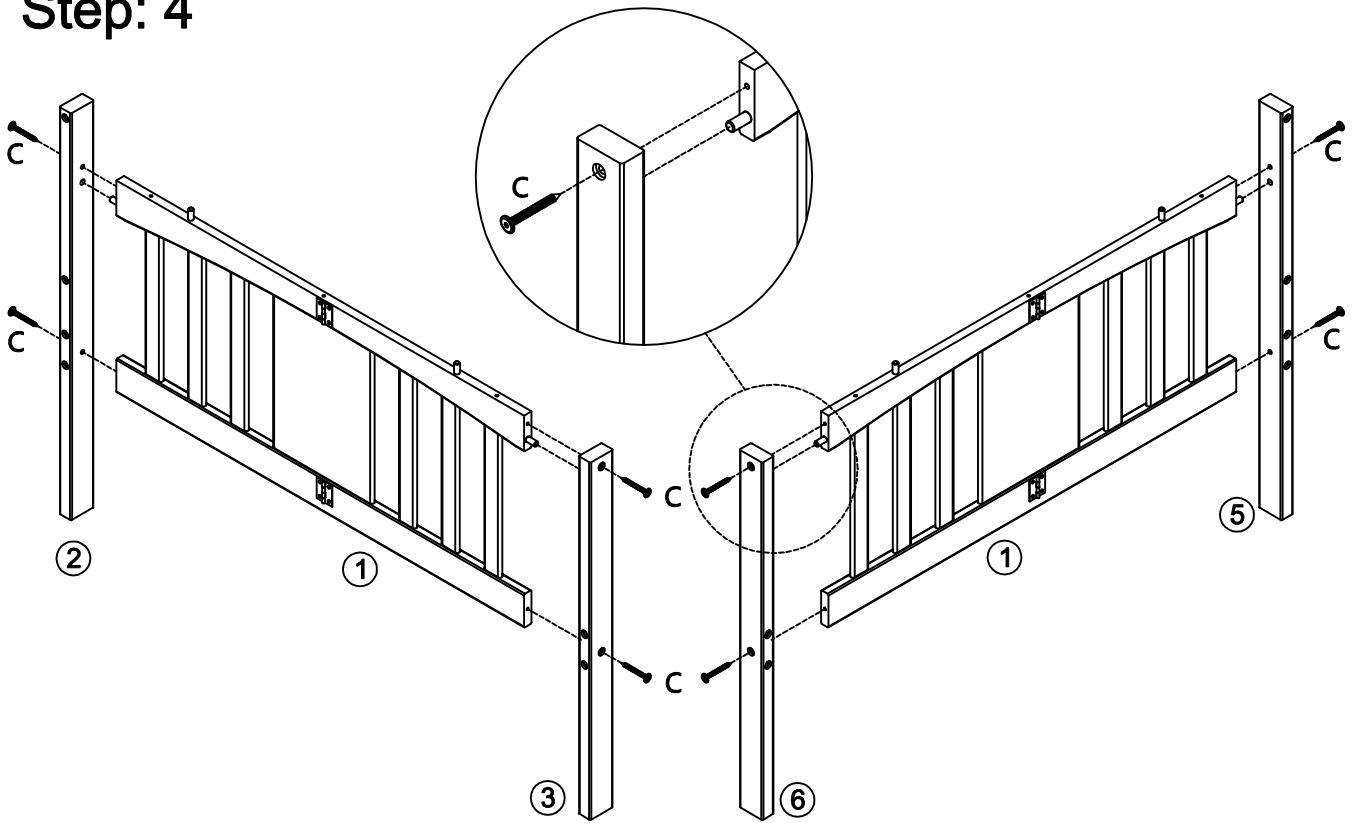
Step: 3



I		Qty 04
---	---	------------------

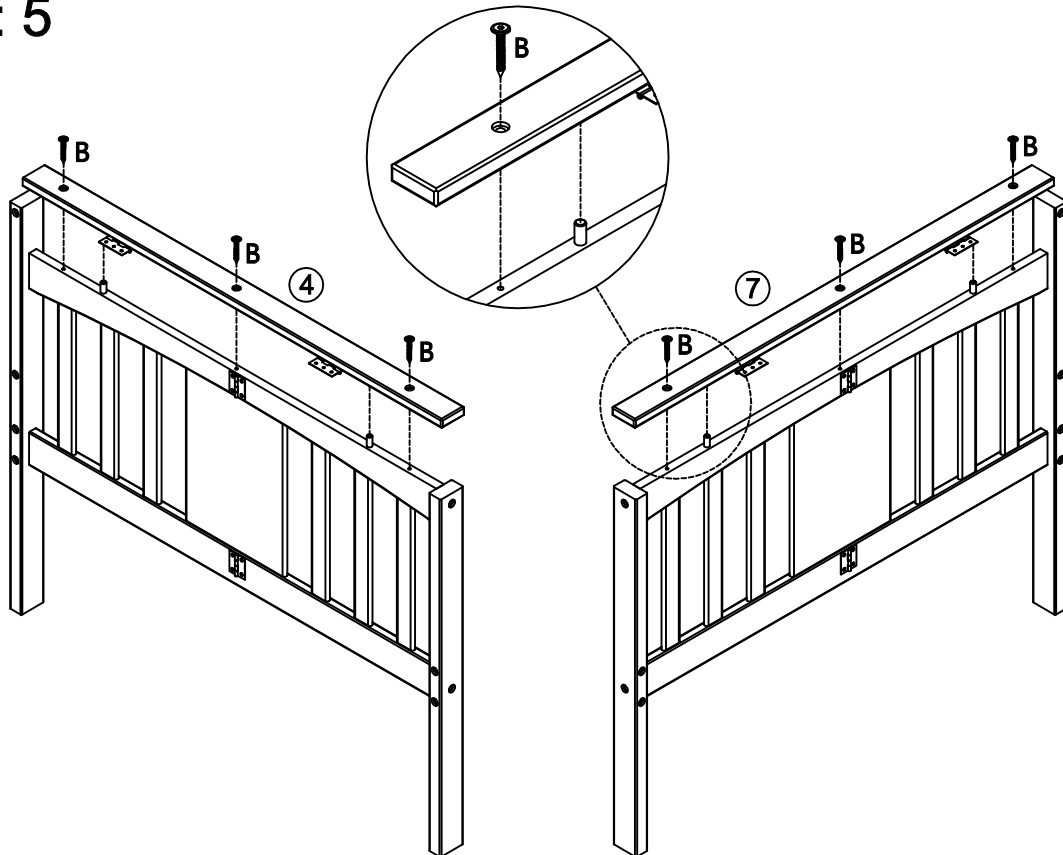
J		Qty 08
---	---	------------------

Step: 4



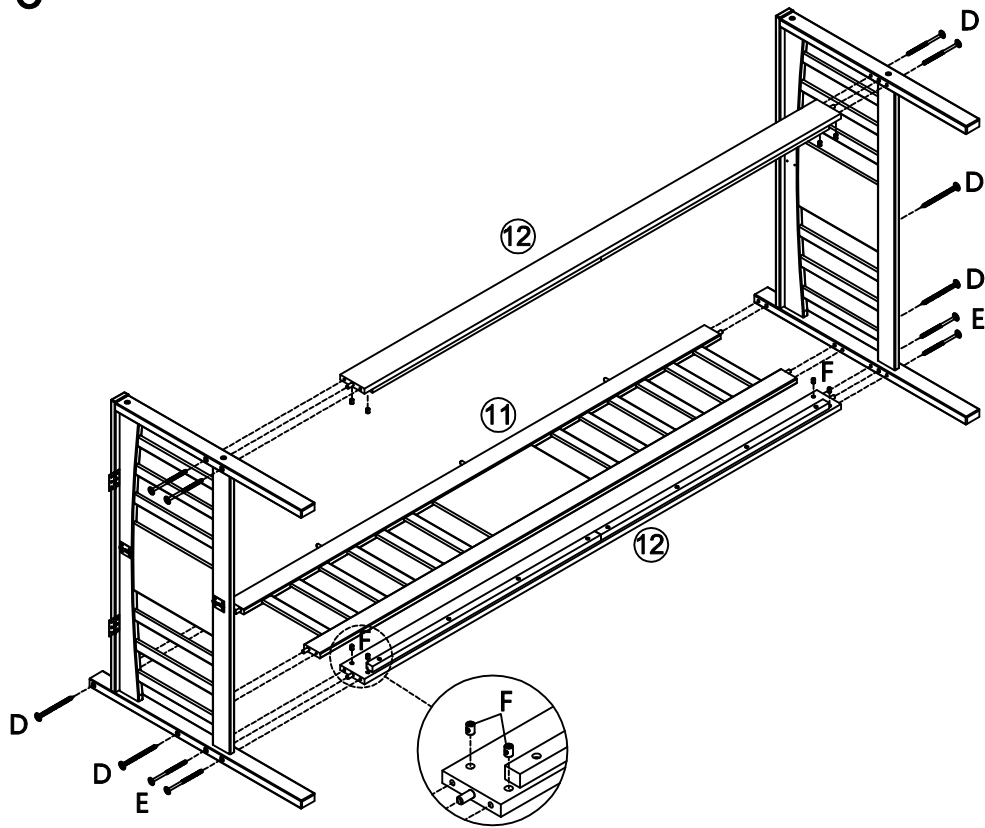
C		Qty 08	Z		Qty 01
----------	--	------------------	----------	---	------------------

Step: 5



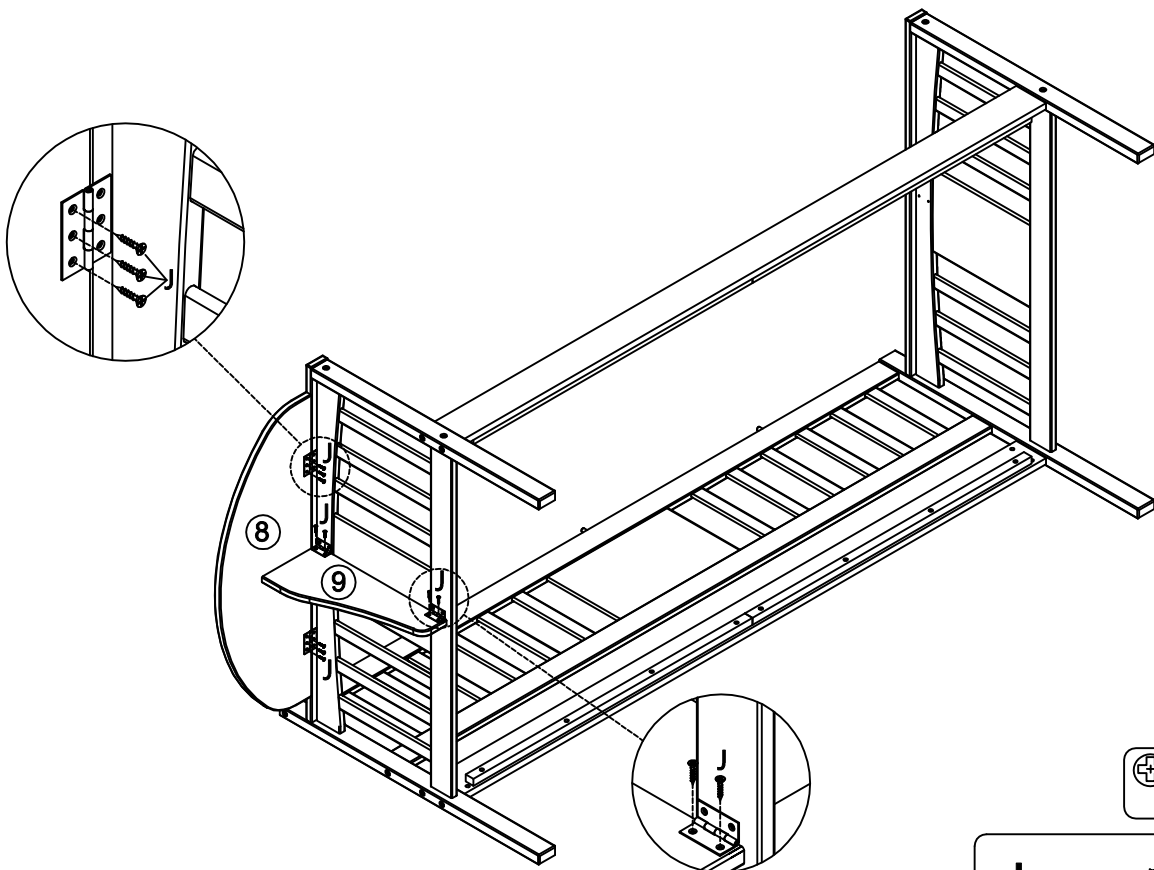
B		Qty 06	Z		Qty 01
----------	--	------------------	----------	---	------------------


Step: 6



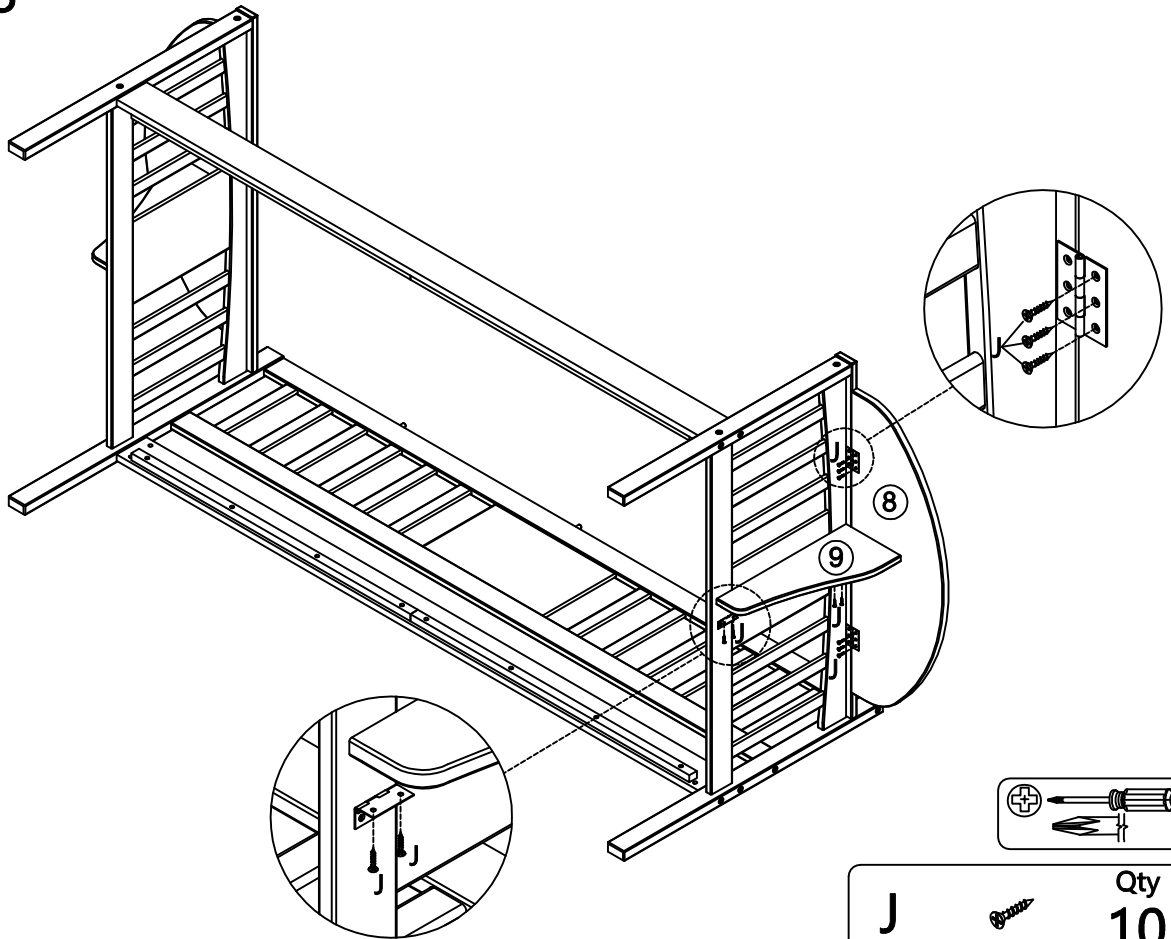
D 	Qty 04	E 	Qty 08	F 	Qty 08	Z 	Qty 01
--	------------------	--	------------------	--	------------------	--	------------------


Step: 7



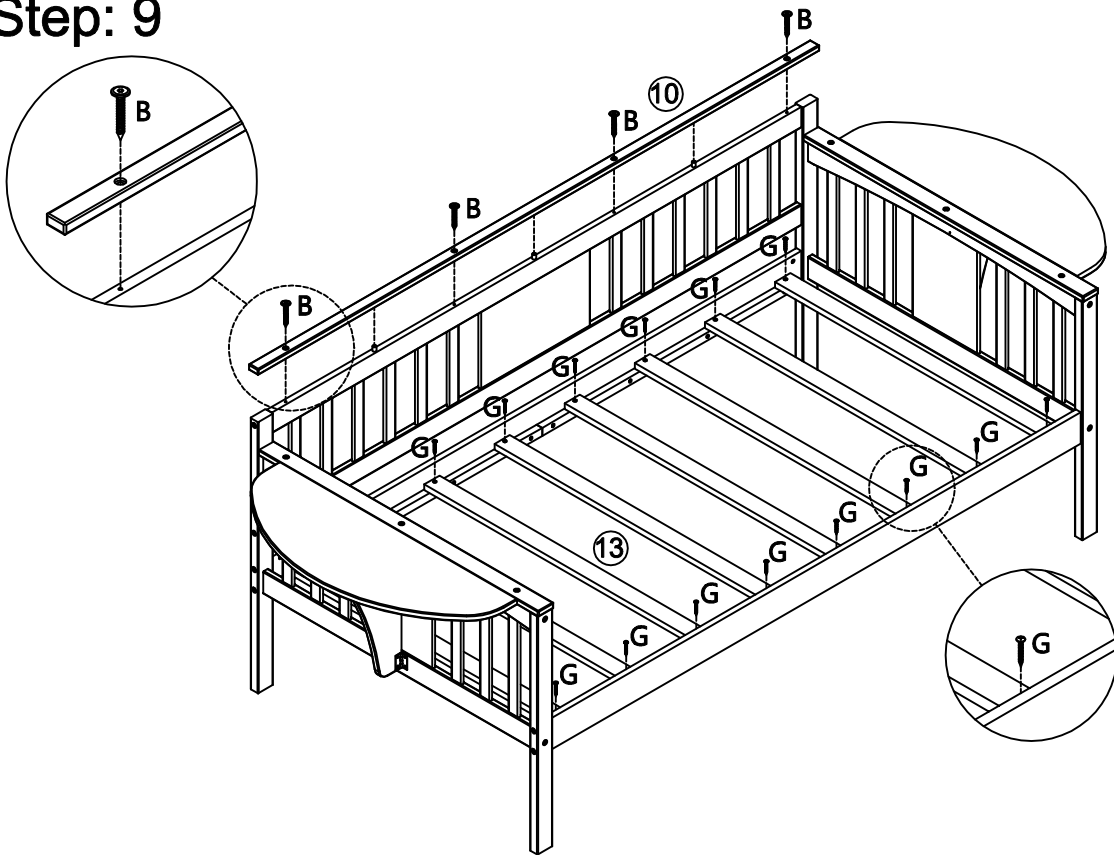
J 	Qty 10
--	------------------

Step: 8



J		Qty 10
----------	---	------------------

Step: 9



B		Qty 04	G		Qty 16	Z		Qty 01
----------	---	------------------	----------	--	------------------	----------	---	------------------

Step: 10

