



WARRANTY REGISTRATION

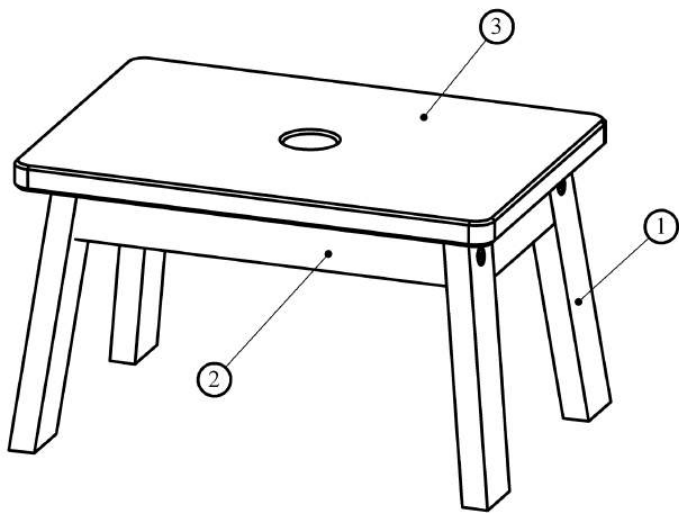
Thank you very much for choosing our product. We want to remind you that in the unlikely event of a manufacturing defect, we will happily replace free of charge within one year of your purchase date.

Please take a few minutes and register your product warranty by sending an email to support@beefurni.com:

1. Email title "Warranty"
2. Write "Order ID, Name & Address"
3. Click to send



PARTS AND HARDWARE LIST

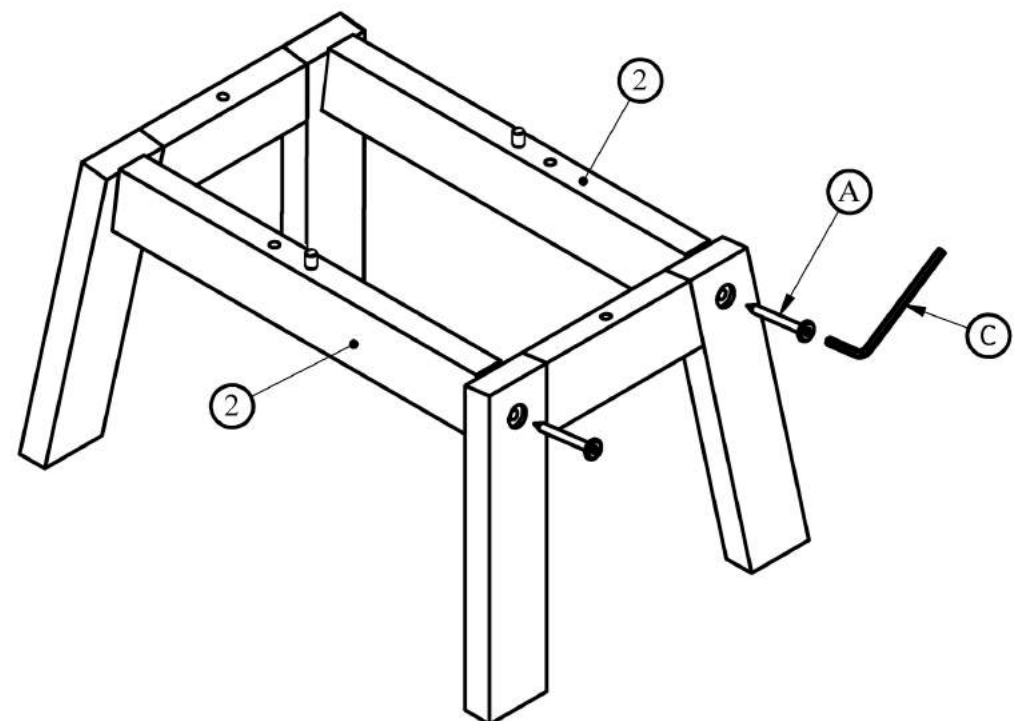
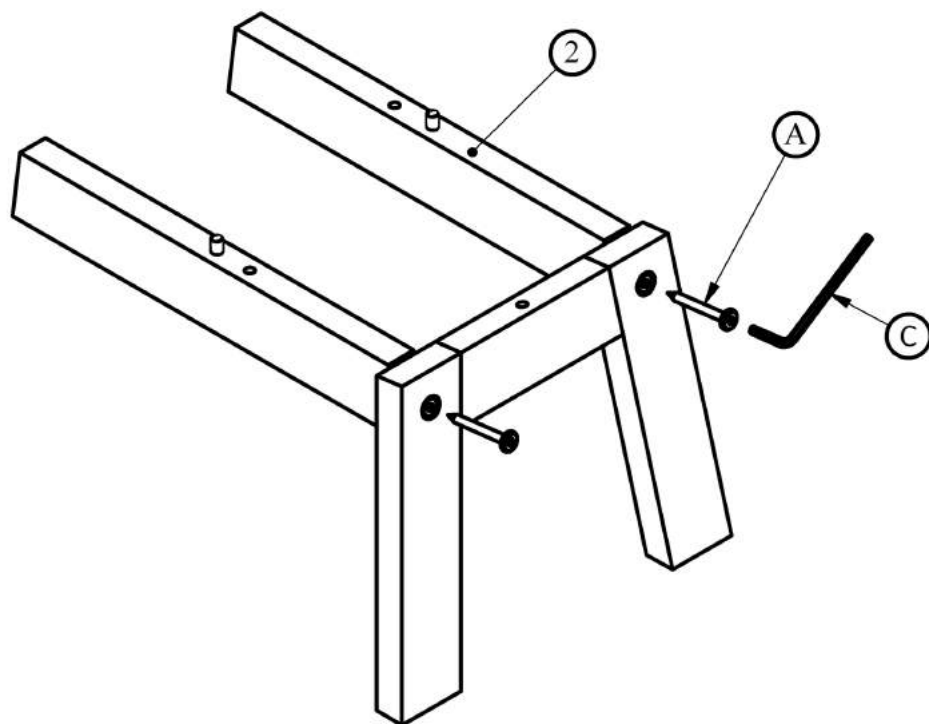


NO	DESCRIPTION	QTY	IMAGES
1	LEGS	2	
2	SUPPORTING BAR	2	
3	TOP	1	
A	SCREW M6x50	4	
B	SCREW M4x35	4	
C	ALLEN KEY K4	1	

***DO NOT tighten the screws until all of parts set into correct position!**

Step 1: Fix supporting Bar (2) with legs (1) by using Screw (A) with Allen Key K4 (C).

Step 2: Fix supporting Bar (2) with legs (1) by using Screw (A) with Allen Key K4 (C).



Step 3: Fix supporting Bar (2), legs (1) with top (3) by using Screw (B) with Screwdriver.

ASSEMBLY IS COMPLETE!

