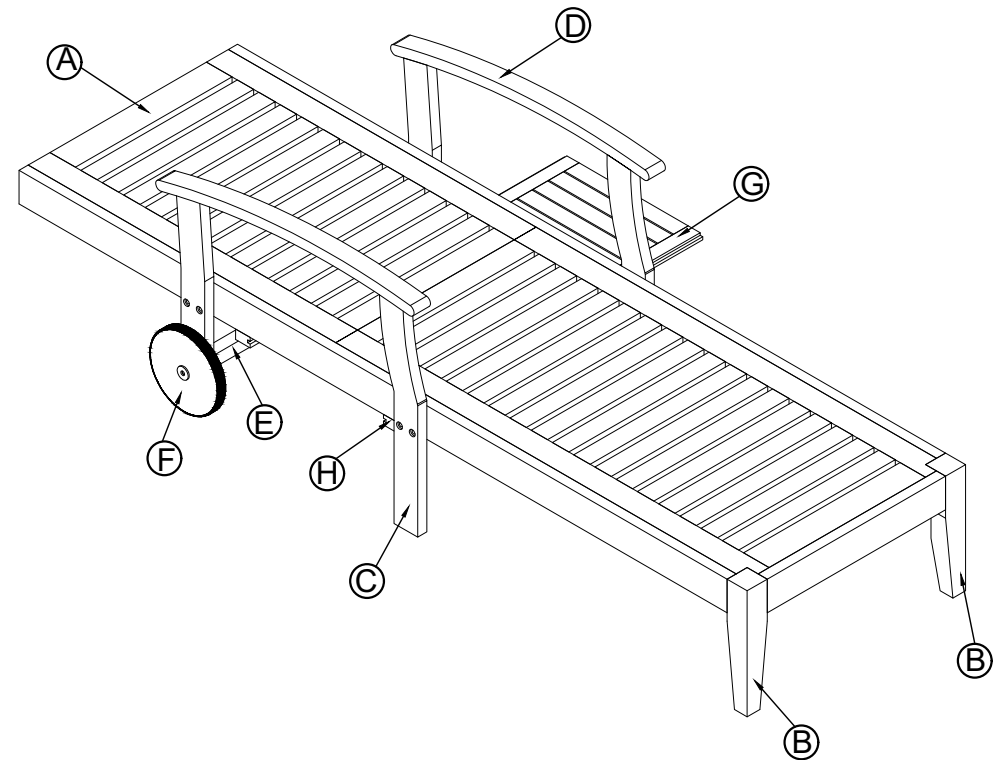
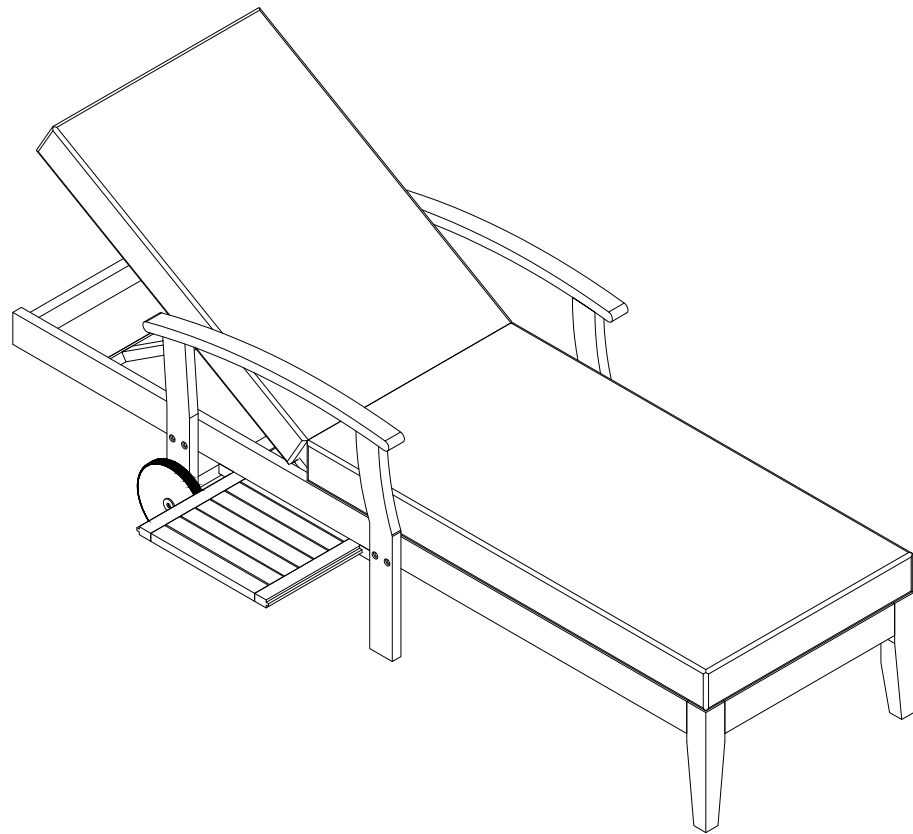
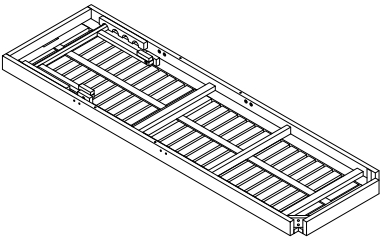

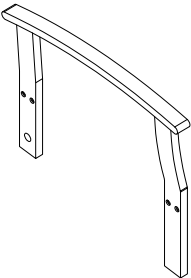
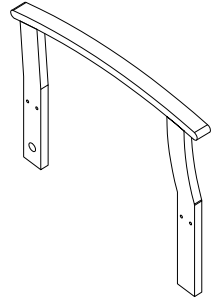
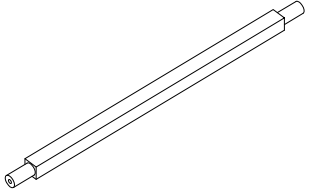
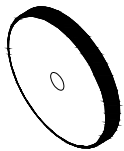
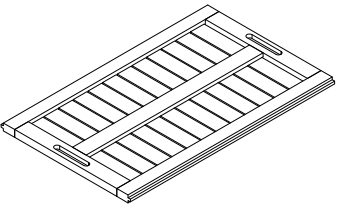
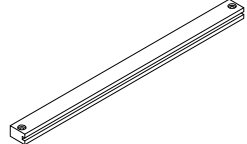
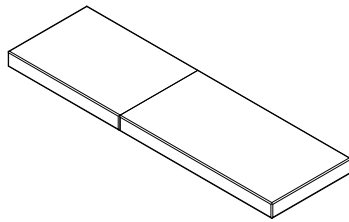
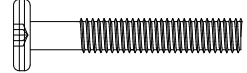
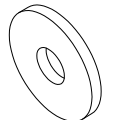
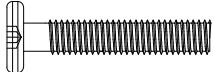
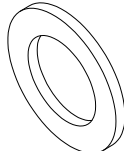
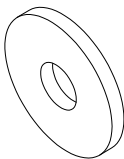


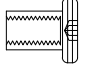


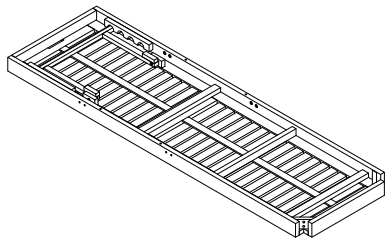
# DESCRIPTION

WF285023



<p><b>A</b></p>  <p>(1 pc)</p>	<p><b>B</b></p>  <p>(2 pcs)</p>	<p><b>C</b></p>  <p>(1 pc)</p>	<p><b>D</b></p>  <p>(1 pc)</p>	<p><b>E</b></p>  <p>(1 pc)</p>
<p><b>F</b></p>  <p>(2 pcs)</p>	<p><b>G</b></p>  <p>(1 pc)</p>	<p><b>H</b></p>  <p>(2 pcs)</p>	<p><b>I</b></p>  <p>(1 pc)</p>	<p><b>1</b></p>  <p>M8x60 (4 pcs)</p> <p><b>2</b></p>  <p>Ø8x20 (4 pcs)</p>
<p><b>3</b></p>  <p>M8x45 (8 pcs)</p>	<p><b>5</b></p>  <p>Ø25x50 (2 pcs)</p>	<p><b>6</b></p>  <p>Ø8x30 (2 pcs)</p>	<p><b>7</b></p>  <p>M6x40 (6 pcs)</p>	<p><b>8</b></p>  <p>Allen key 4 (2 pcs)</p>
<p><b>4</b></p>  <p>M8x15 (8 pcs)</p>				

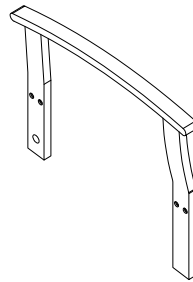
# CARTON CONTENT: WF285023



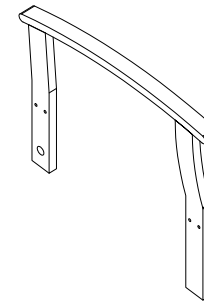
A x 1



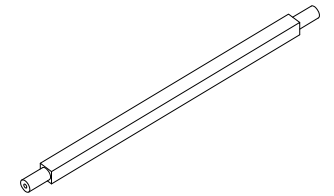
B x 2



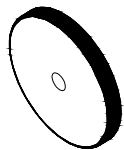
C x 1



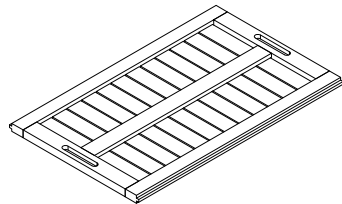
D x 1



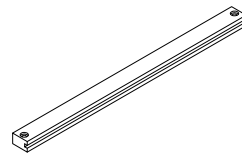
E x 1



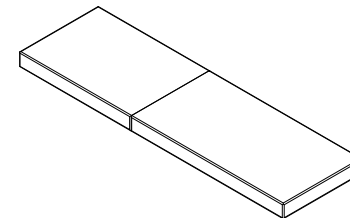
F x 2



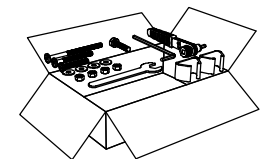
G x 1



H x 2

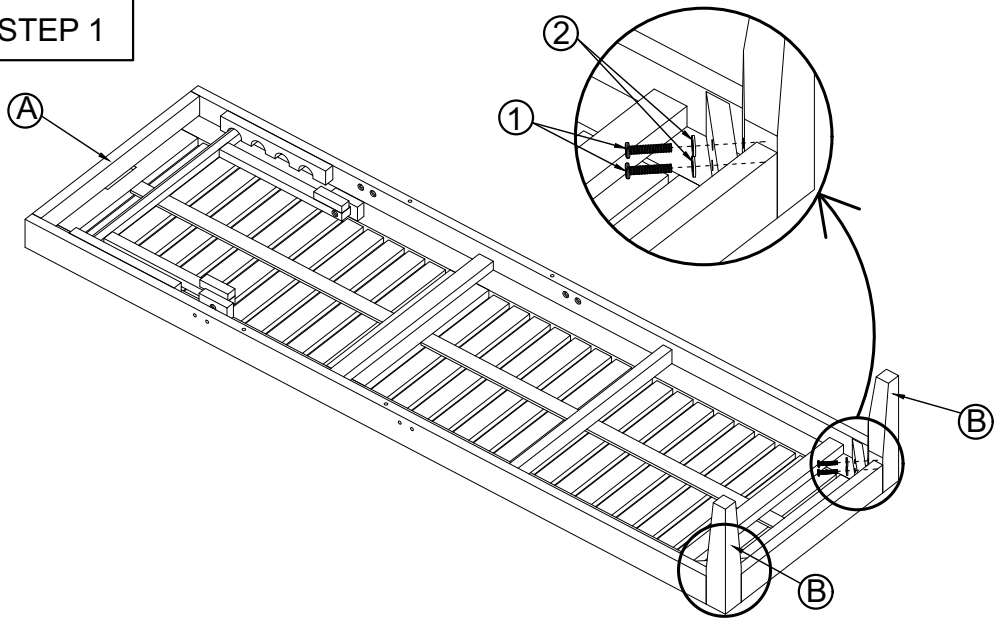


I x 1



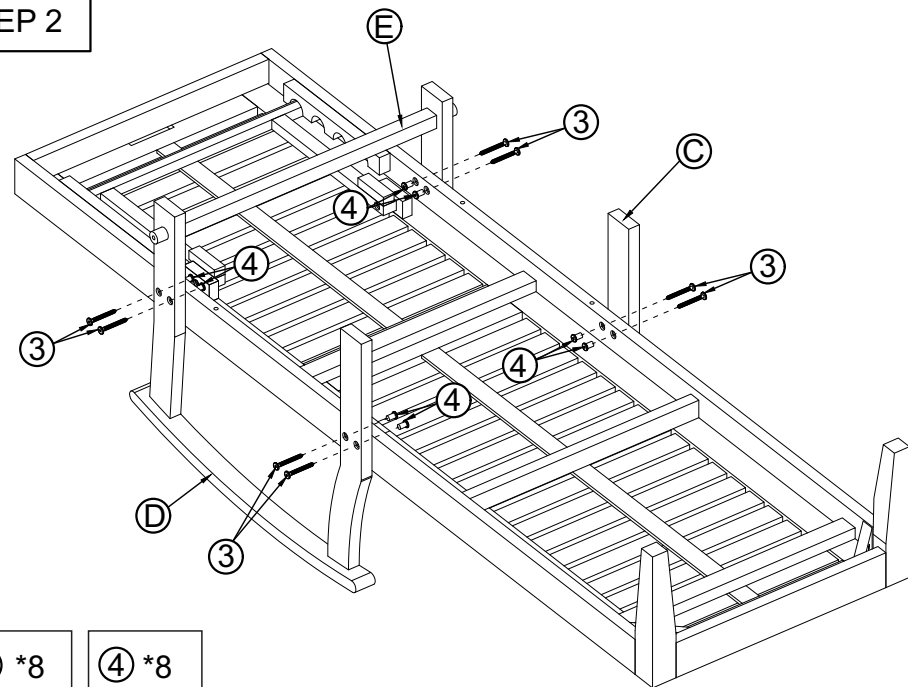
Hardware

STEP 1



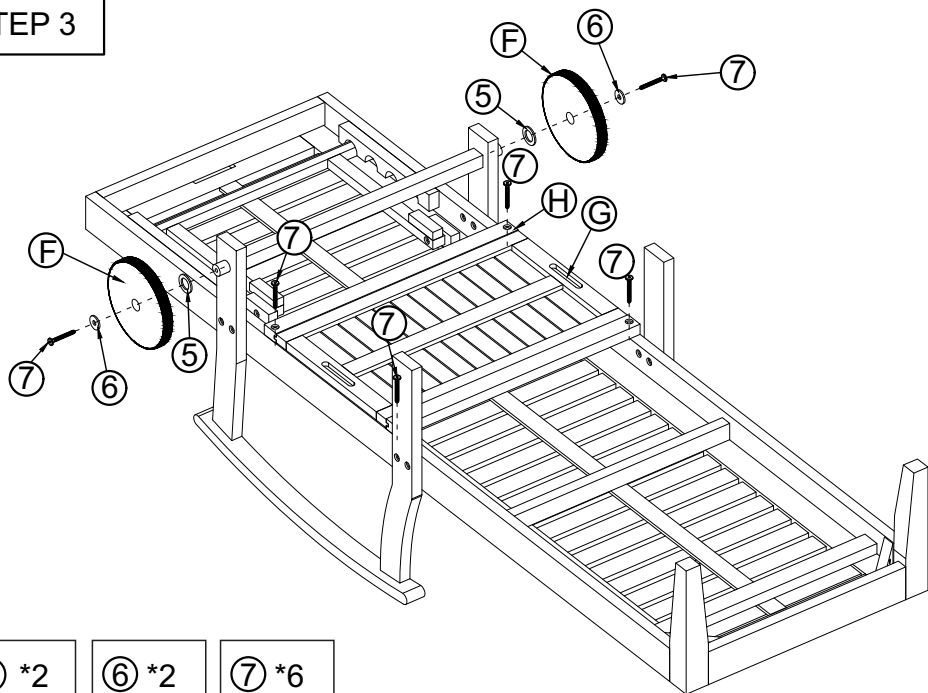
- ① \*4
- ② \*4

STEP 2



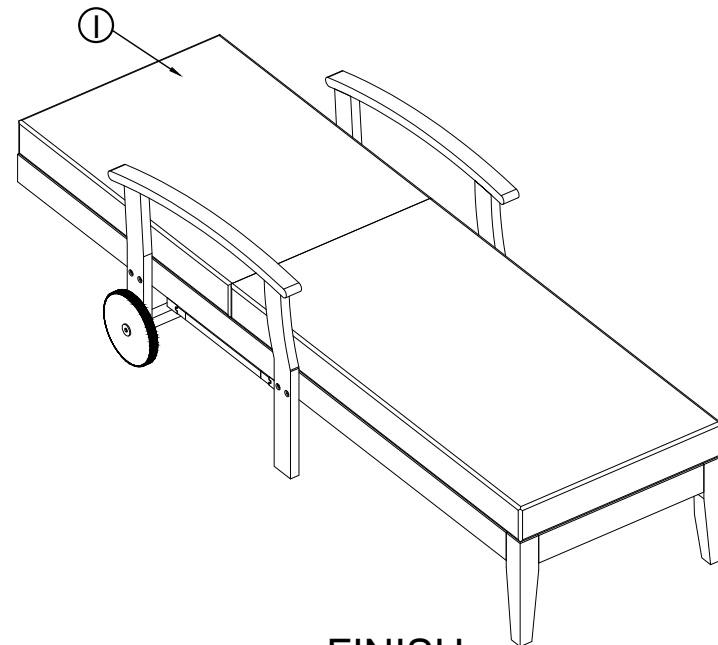
- ③ \*8
- ④ \*8

STEP 3



- ⑤ \*2
- ⑥ \*2
- ⑦ \*6

STEP 4



FINISH