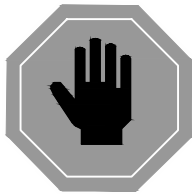


# INSTRUCTION MANUAL

Converting Futon Sofa  
with Cup Holders

Ver.3



**Hardware & parts  
are located in  
the compartment  
underneath the sofa.**

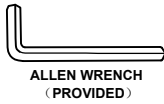
**Make sure to  
remove all items  
before assembly.**

## NOTICE

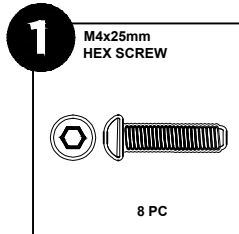
Please retain these instructions for future reference.

- Do not stand on or jump on any part of this item.
- Firmly secure all bolts and knobs before use.
- Reconfirm that all bolts and knobs are secure every 90 days.
- Do not use or store this item in the proximity of open flame or flammable/combustible chemicals.
- If any parts are missing, broken, damaged, or worn, stop using this product until repairs are made and/or factory replacement parts are installed.
- Do not use this item in a way inconsistent with the manufacturer's instructions as it could void the product warranty.
- This futon has a weight capacity of 500 lbs. Please do not exceed that amount of weight on the chair.

## TOOLS REQUIRED HARDWARE



ALLEN WRENCH  
(PROVIDED)



M4x25mm  
HEX SCREW

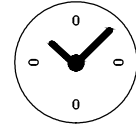
8 PC



500 LBS  
CAPACITY



1 PERSON  
ASSEMBLY

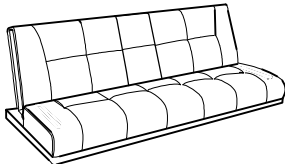


APPROXIMATELY  
15 MIN.  
ASSEMBLY

## PARTS

A

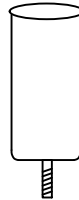
FUTON



1PC

B

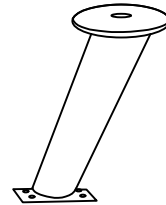
STRAIGHT LEG



2PC

C

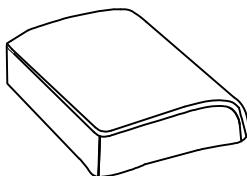
ANGLED LEG



2PC

D

ARMREST



2 PC

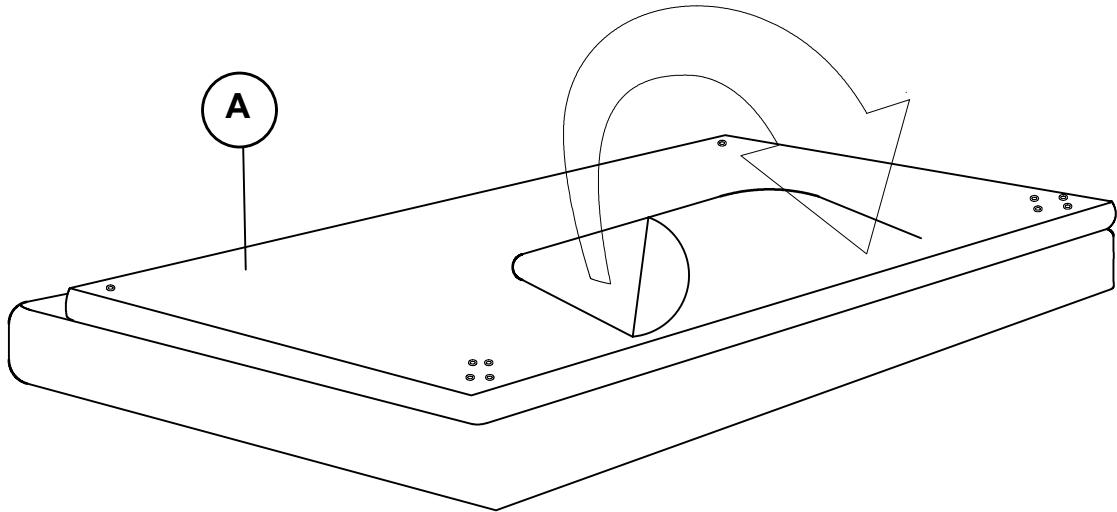
## CALIFORNIA PROPOSITION 65

**⚠ WARNING:** This product can expose you to Diisonony phthalate (DINP), which is known to the State of California to cause cancer. For more information go to [www.P65Warnings.ca.gov](http://www.P65Warnings.ca.gov)

## PRODUCT ASSEMBLY

1

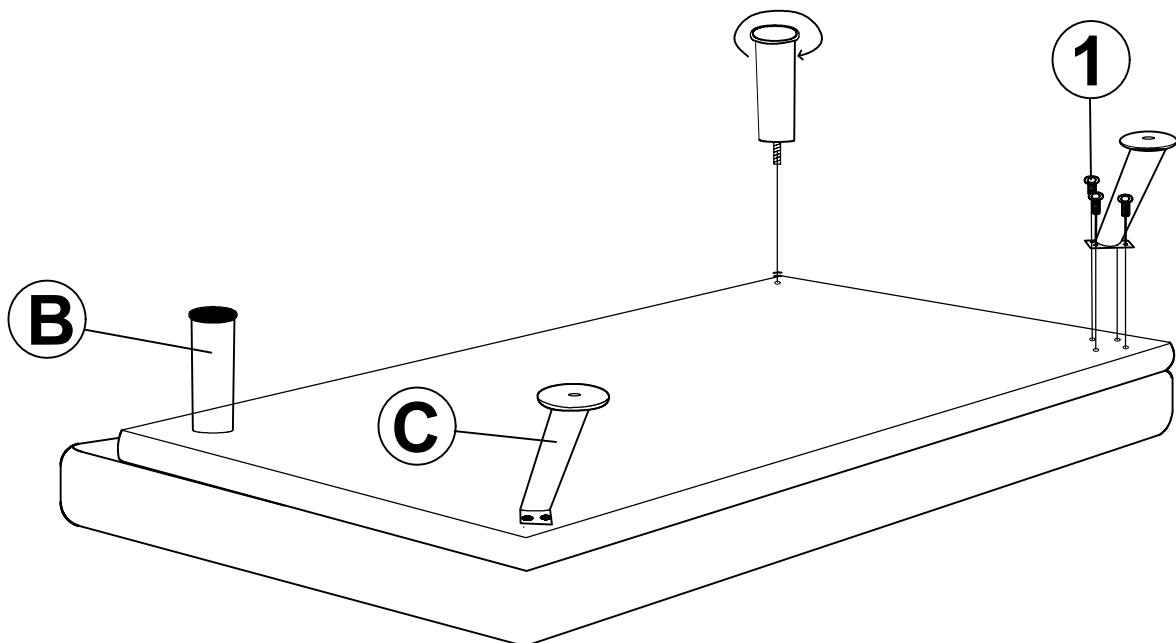
Remove legs and hardware from the zip compartment underneath the part A futon



2

Screw in the two part B straight legs.

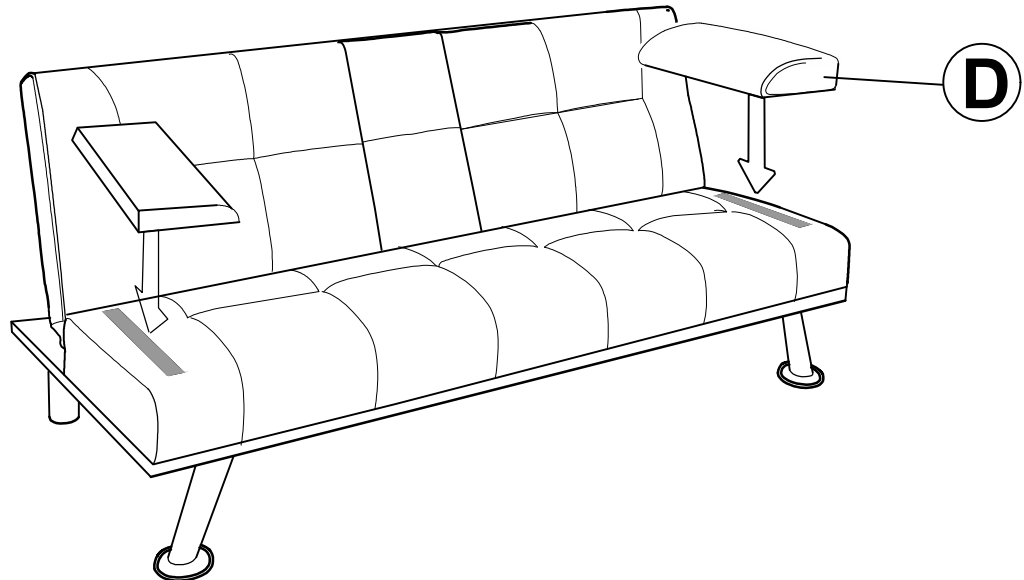
Attach the two part C angled legs with eight part 1 hex screws, four screws per leg.



## PRODUCT ASSEMBLY

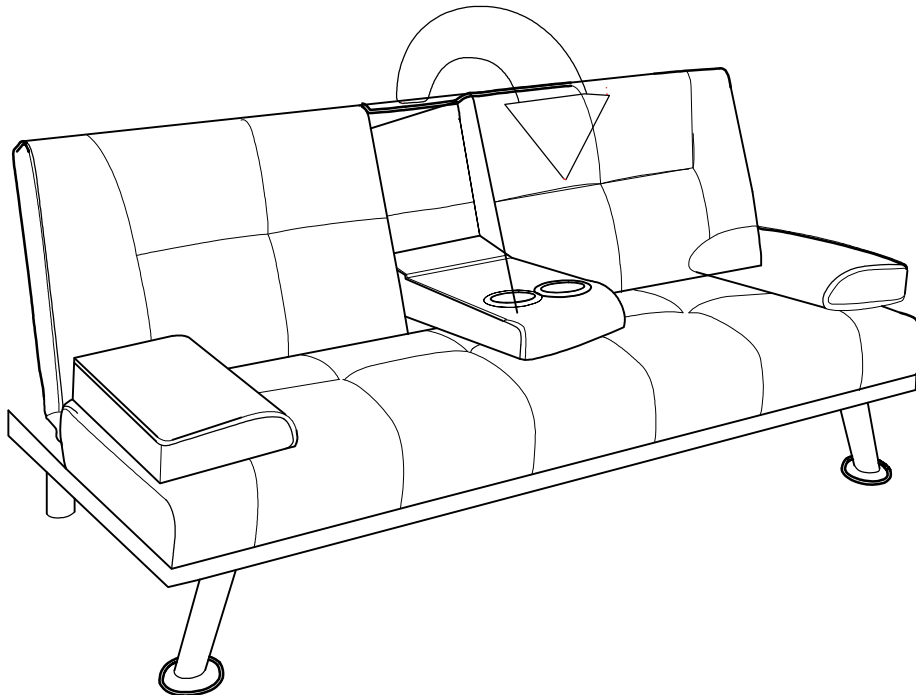
**3**

Attach part D armrests.



## CUPHOLDERS

Unfold the center armrest to access the two cupholders



## ADJUSTING THE FUTON

The futon locks at three positions: upright, leaning back, and flat.

To adjust the position, bring the backrest all the way forward, then lean it back to your desired position

