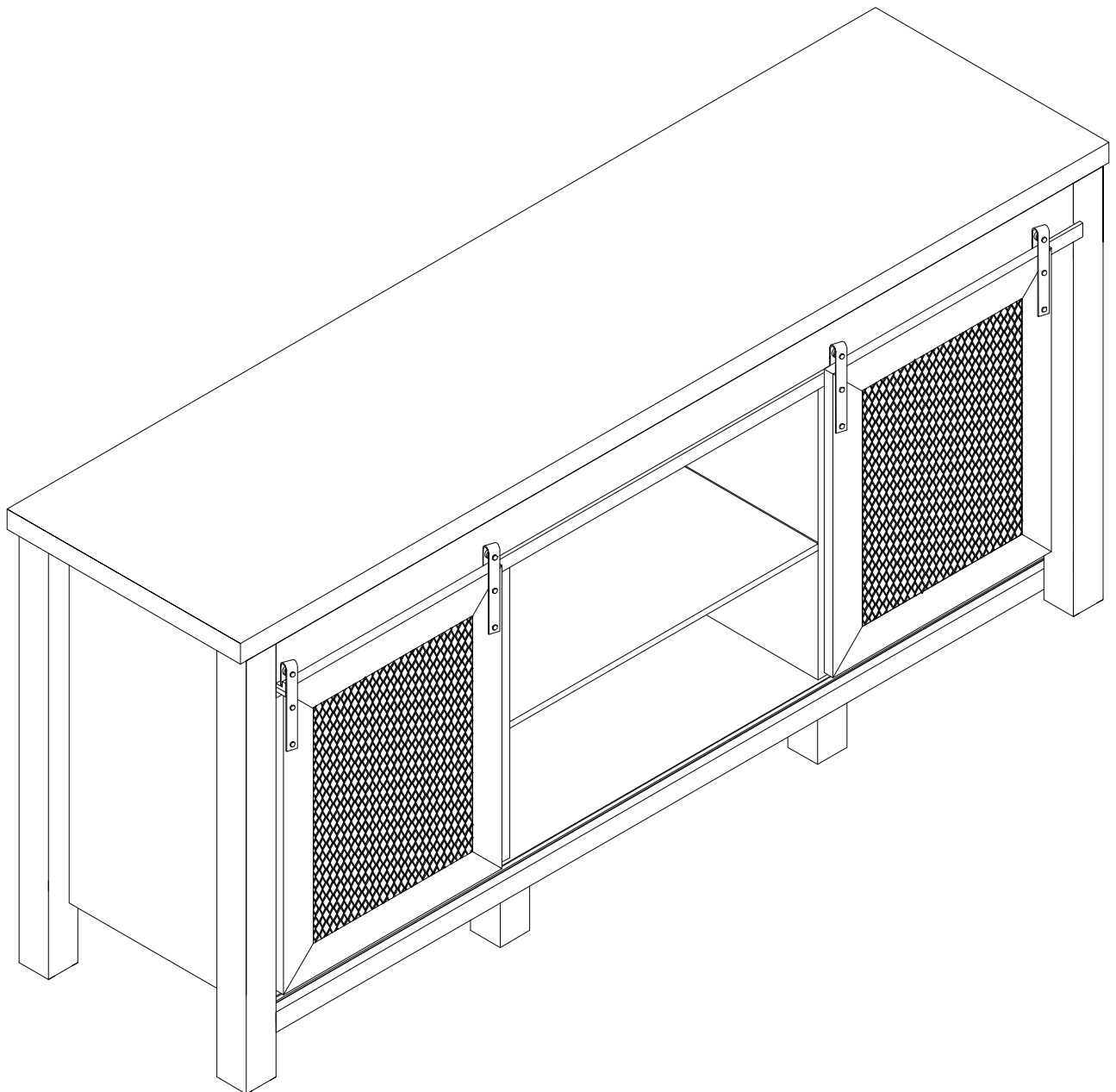
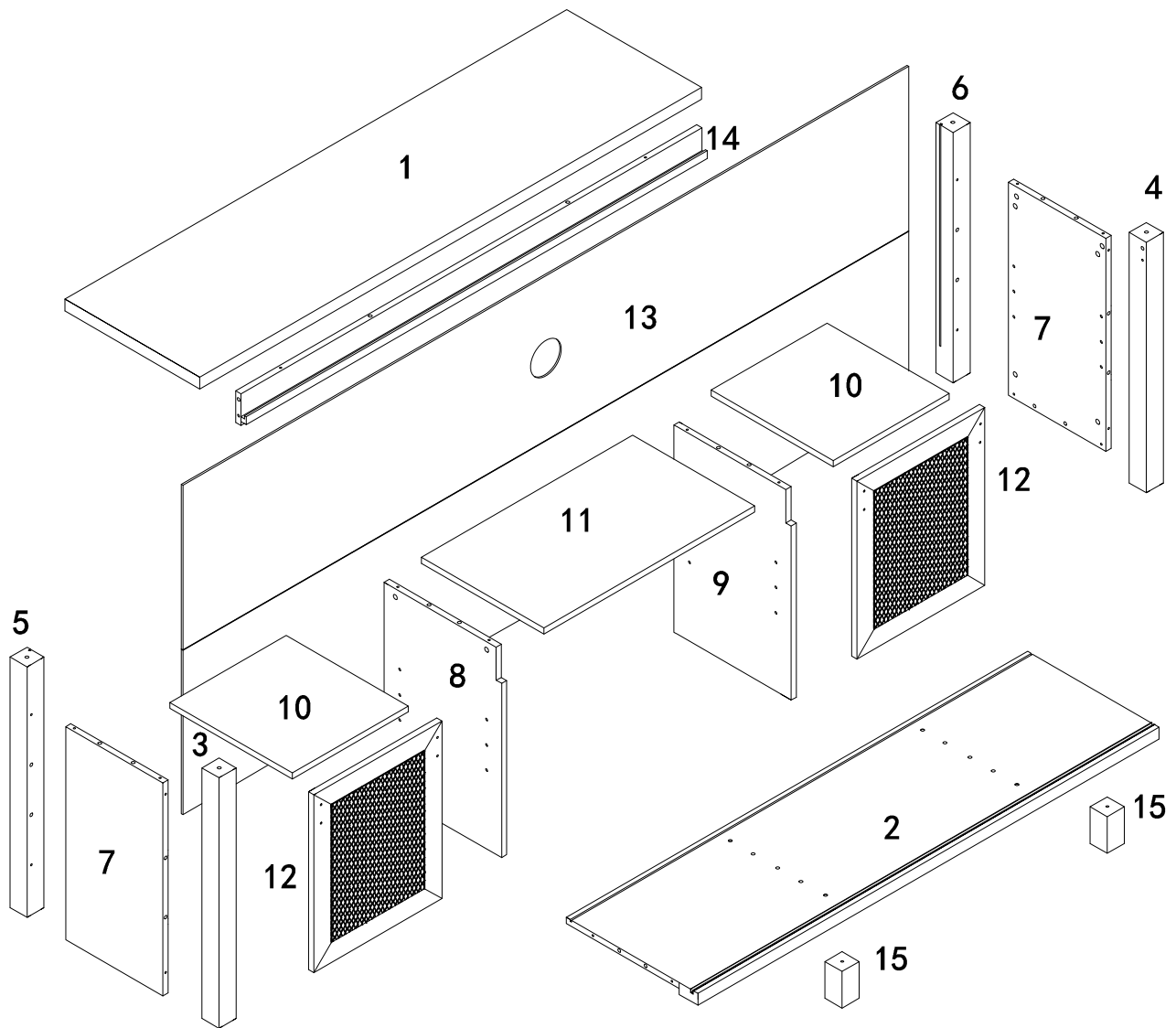





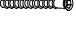


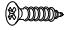





ASSEMBLY INSTRUCTIONS



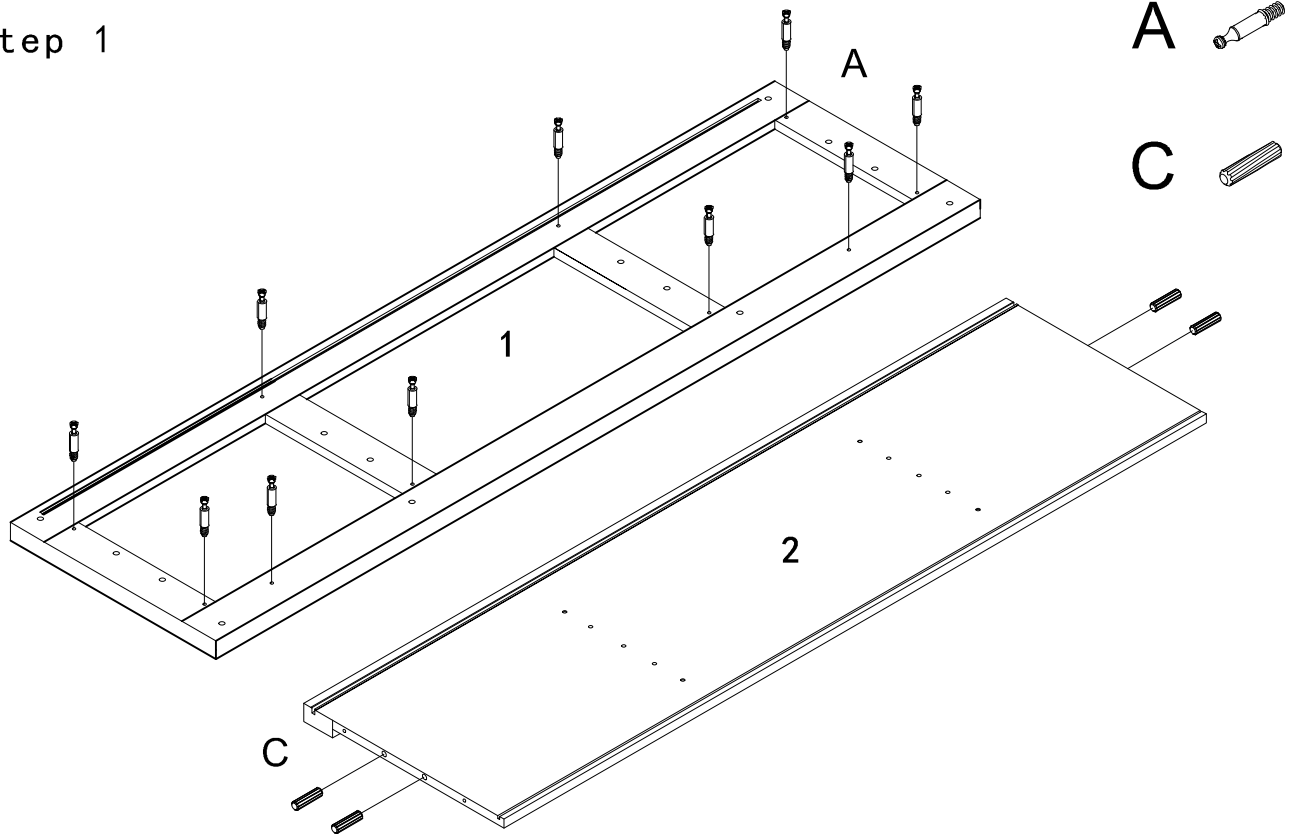
Parts List



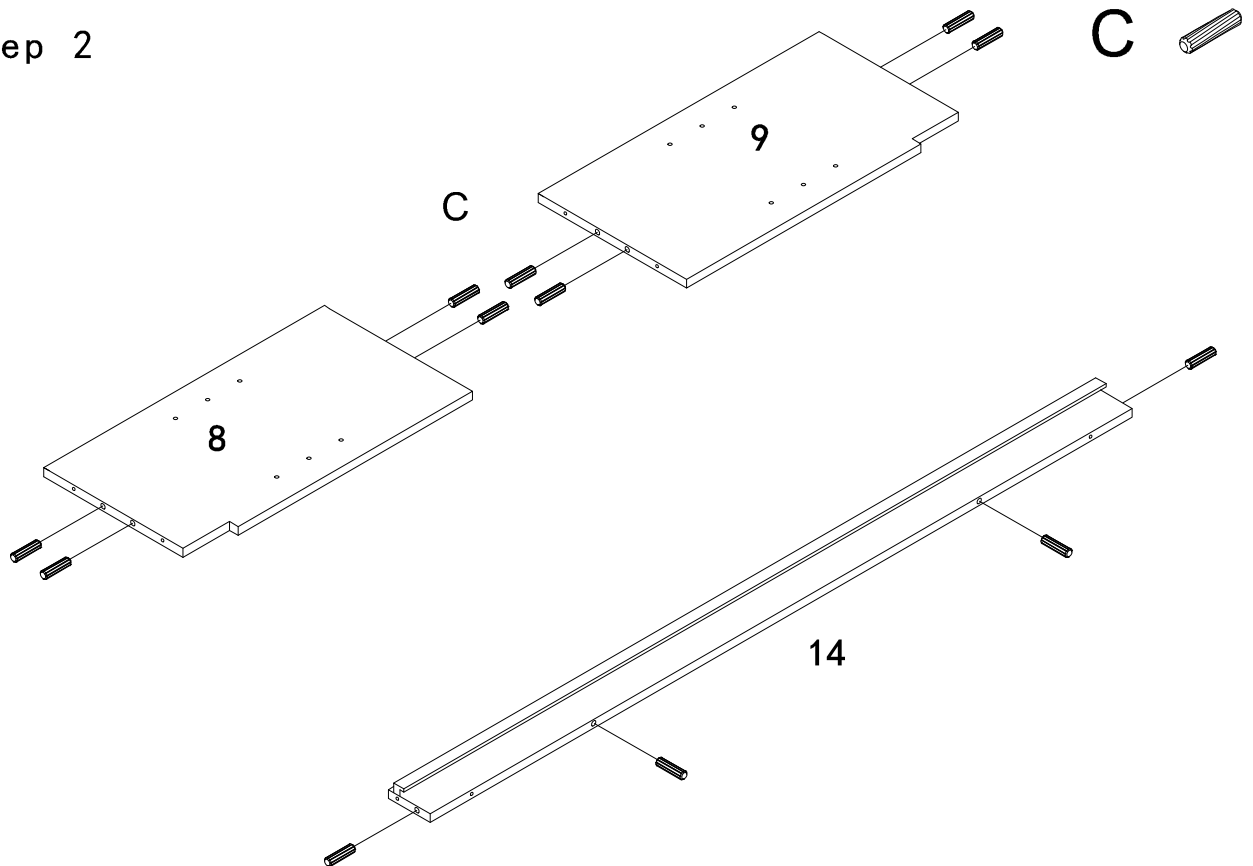
Hardware List

A		φ5*25mm	Bolt	24 pcs
B		φ15*12mm	Nut	24 pcs
C		φ8*30mm	Wood Dowel	32 pcs
D		φ6*50mm	Bolt	6 pcs
E		M4	Hex Key	1 pcs
F			Shelf Support	12 pcs
G		φ3.5*17mm	Screw	12 pcs
H			Plastic wedge	12 pcs
I			Pulley	4 pcs
J		1/4*12mm	Bolt	8 pcs
K			Plate	4 pcs
L		φ3.5*14mm	Screw	8 pcs

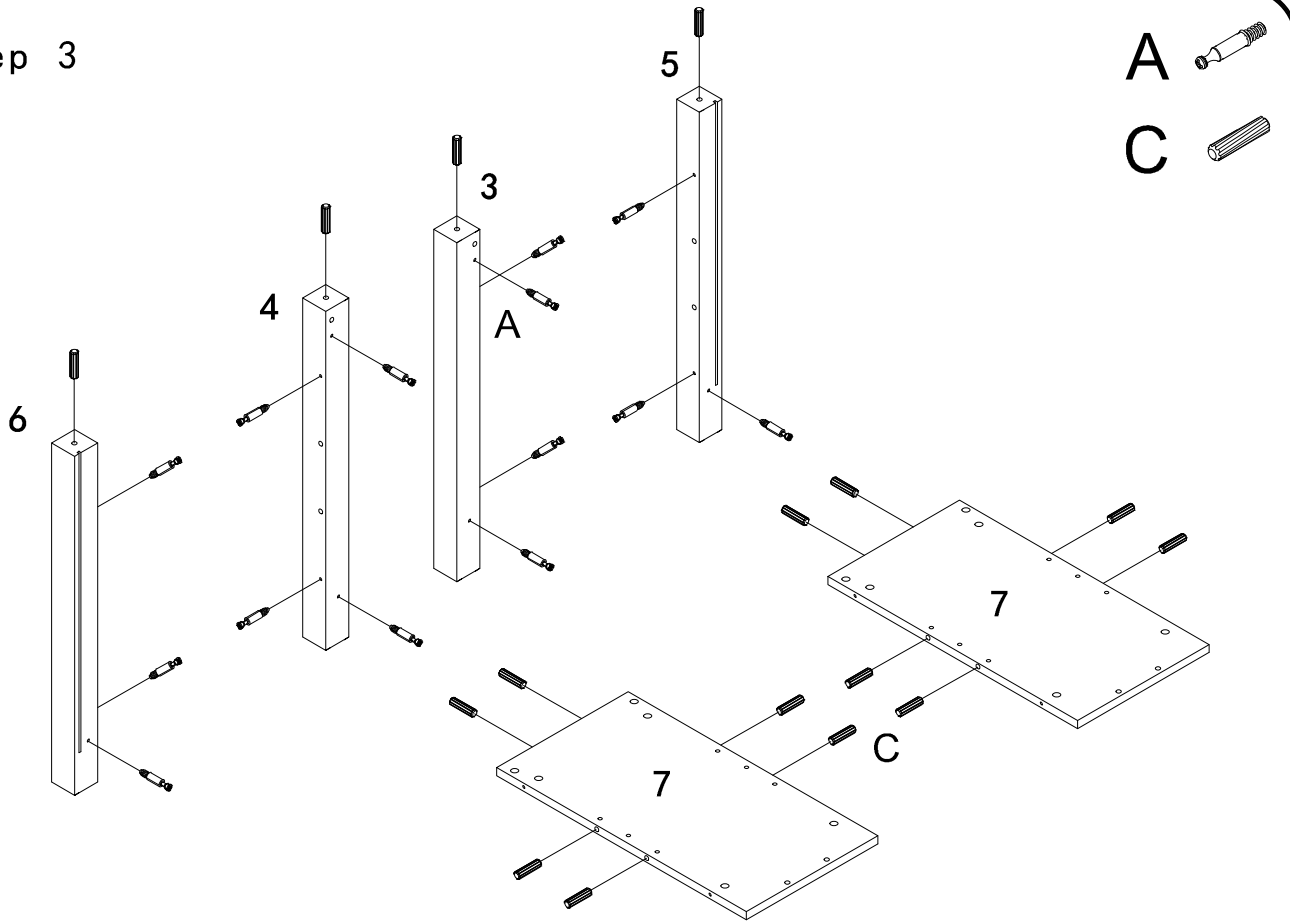
Step 1



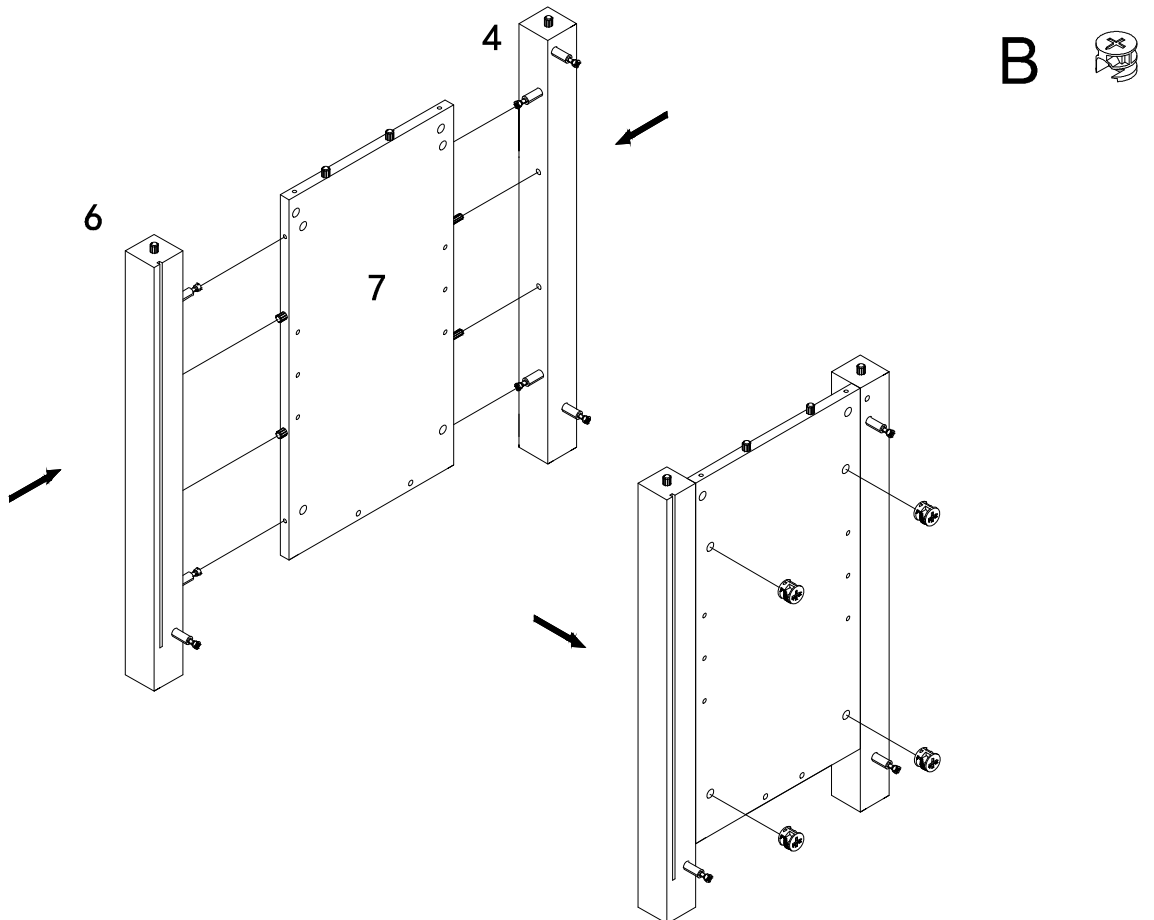
Step 2



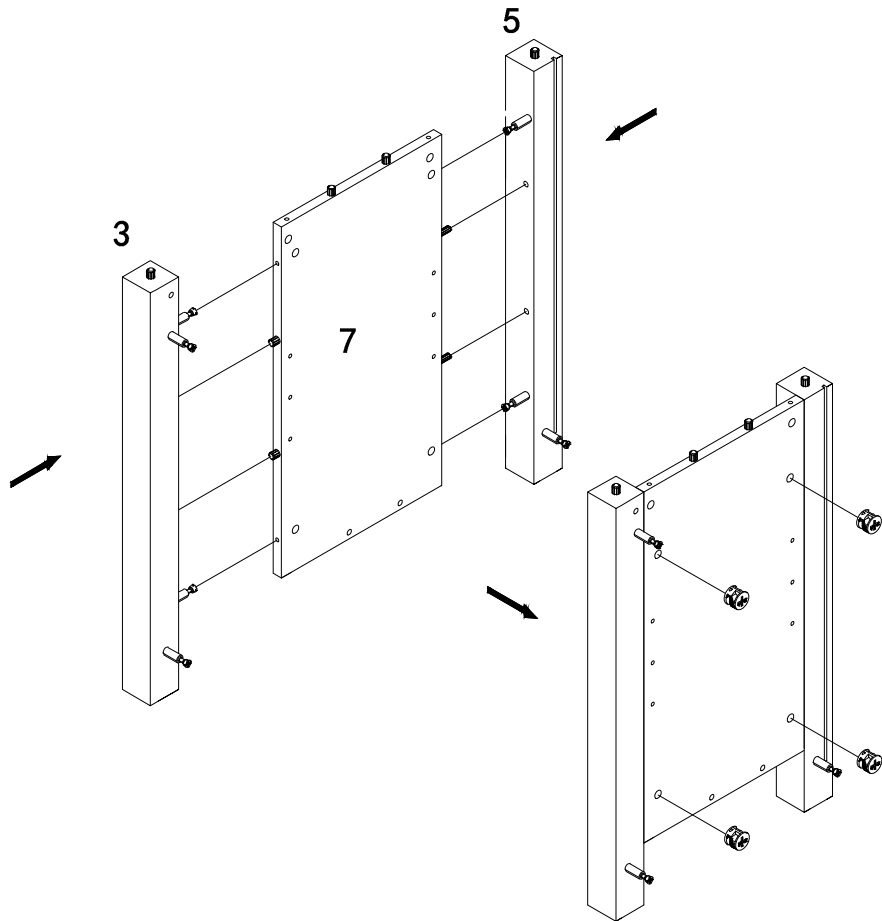
Step 3



Step 4

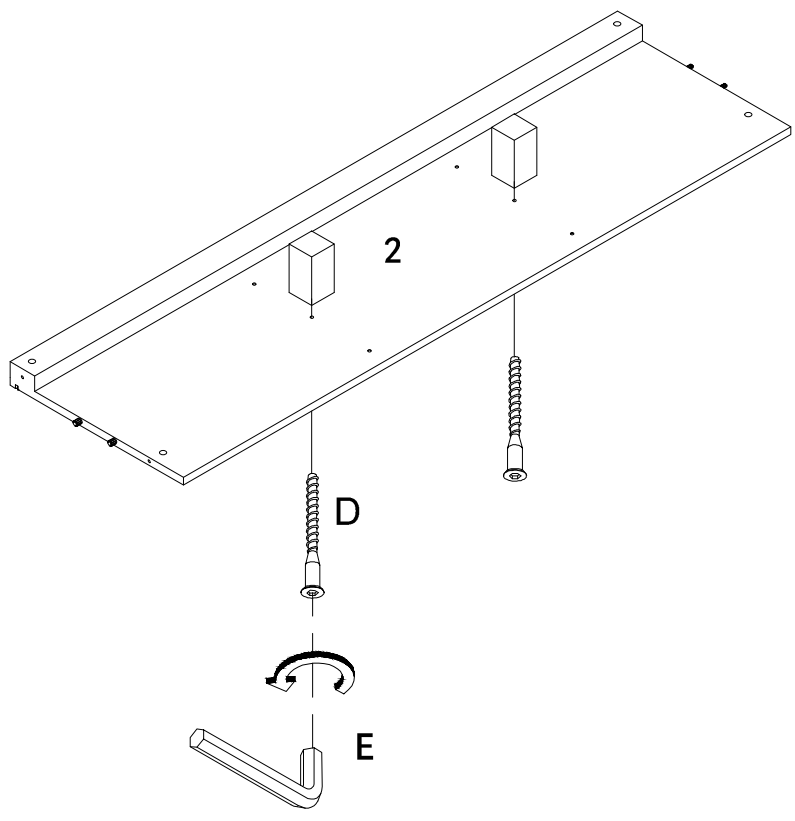


Step 5



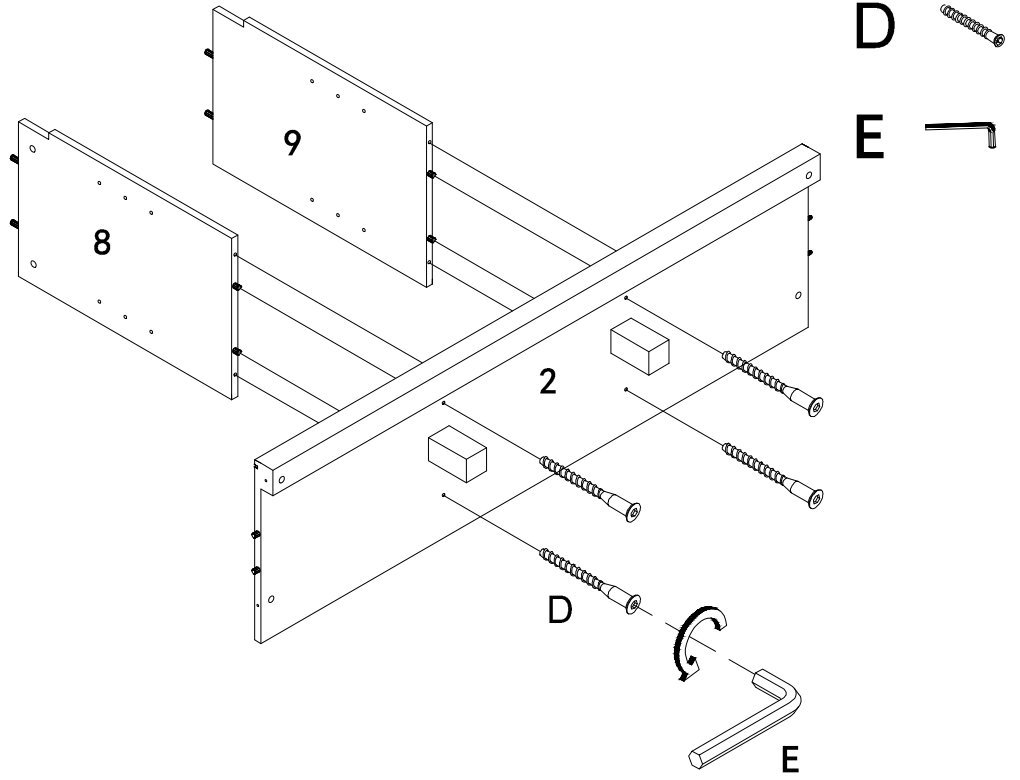
B

Step 6

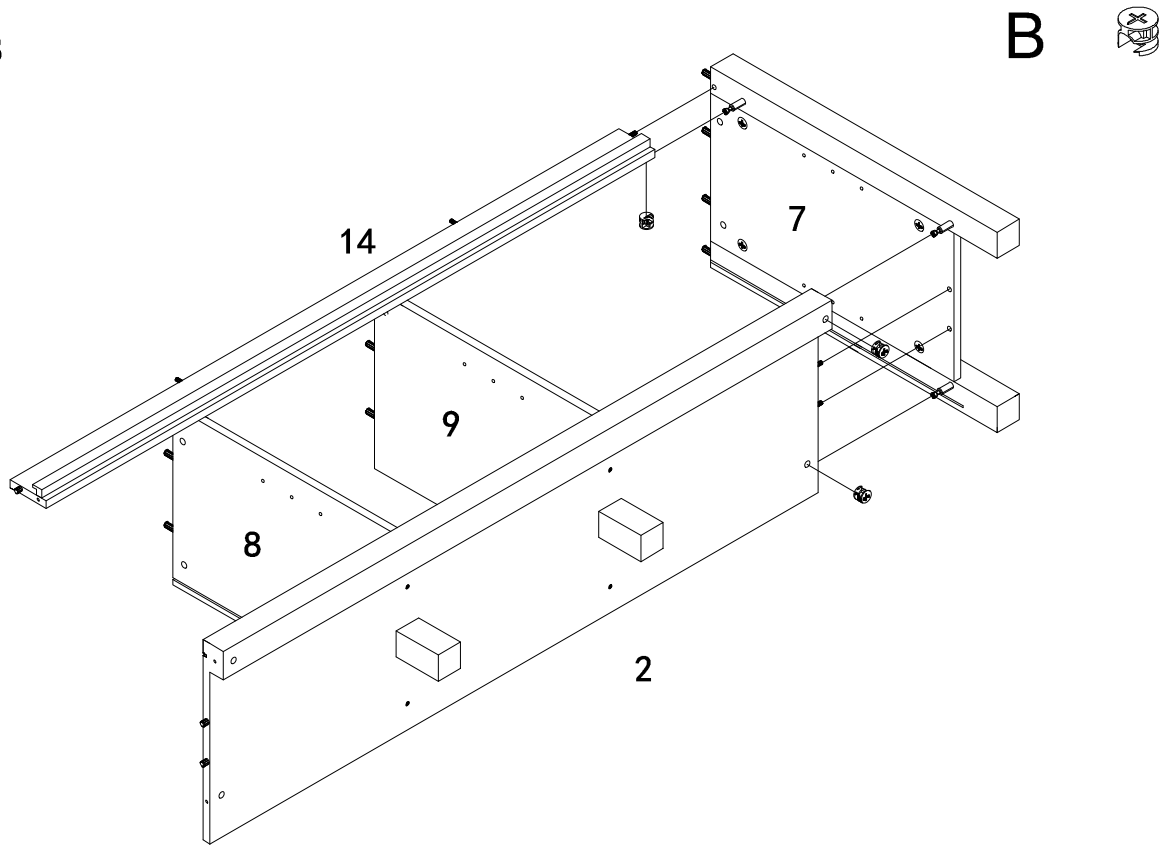


D
E

Step 7

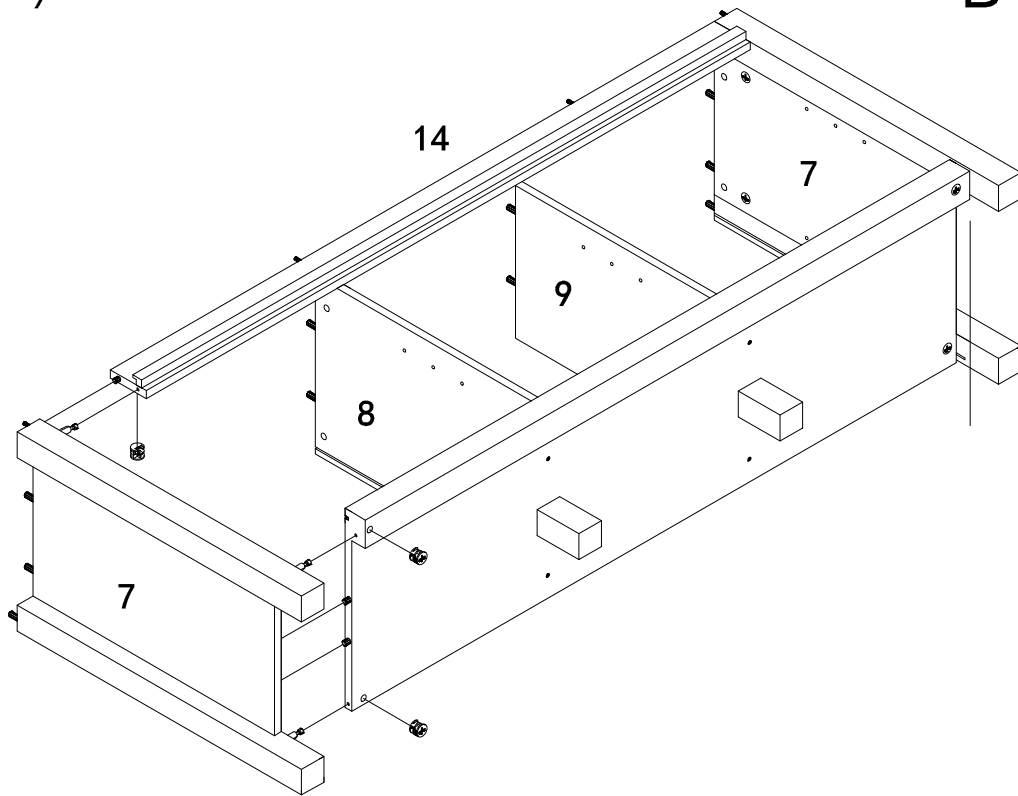


Step 8

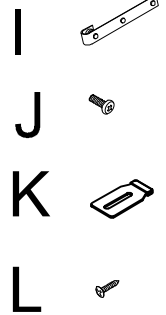
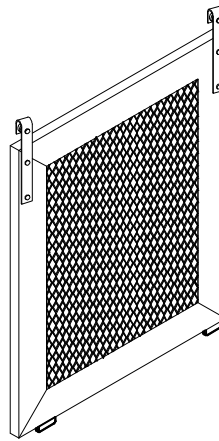
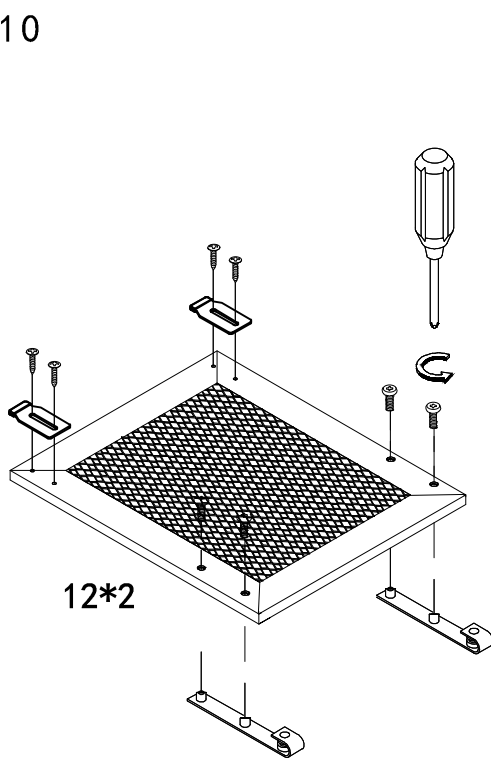


Step 9

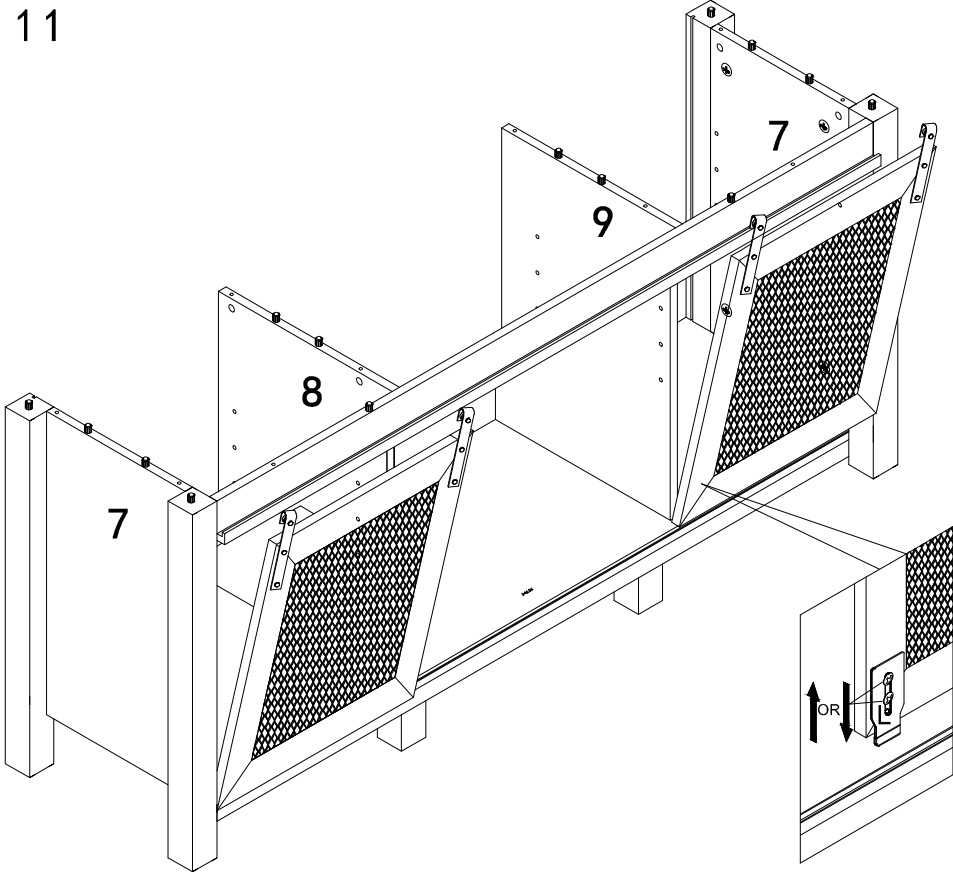
B



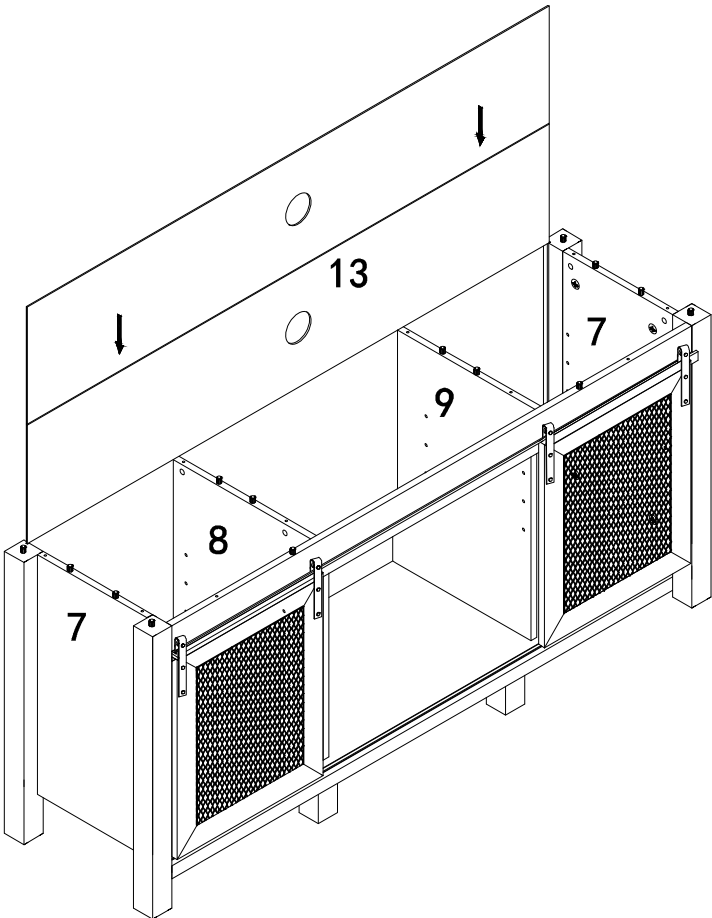
Step 10



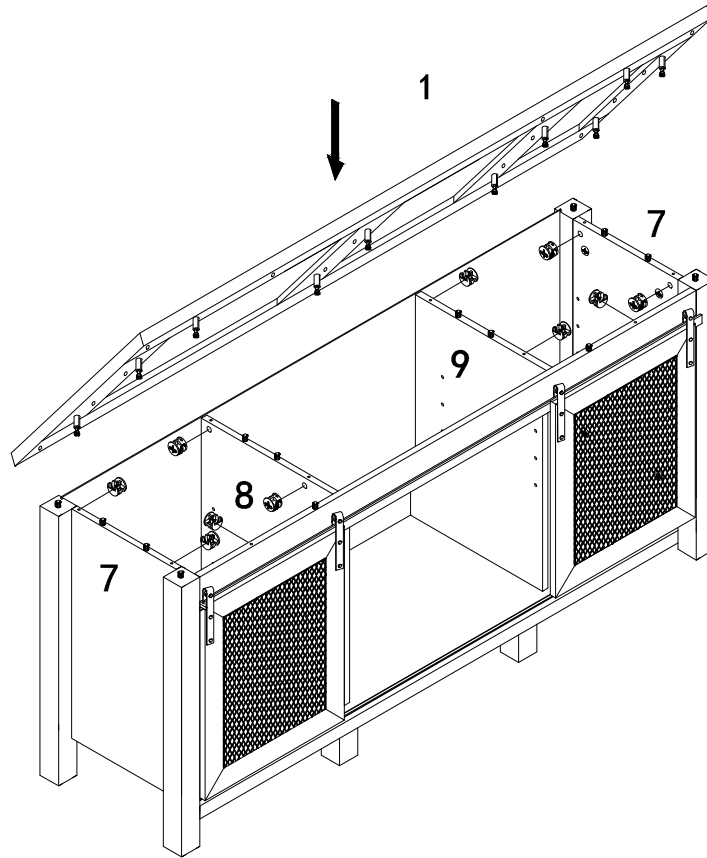
Step 11



Step 12



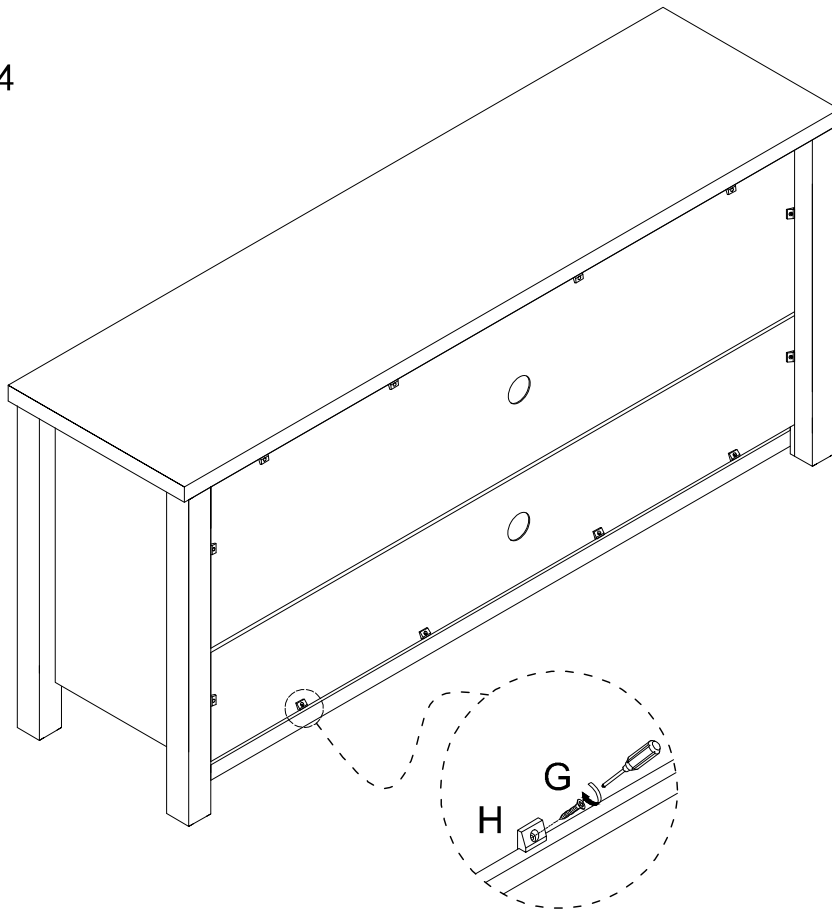
Step 13



B



Step 14



G

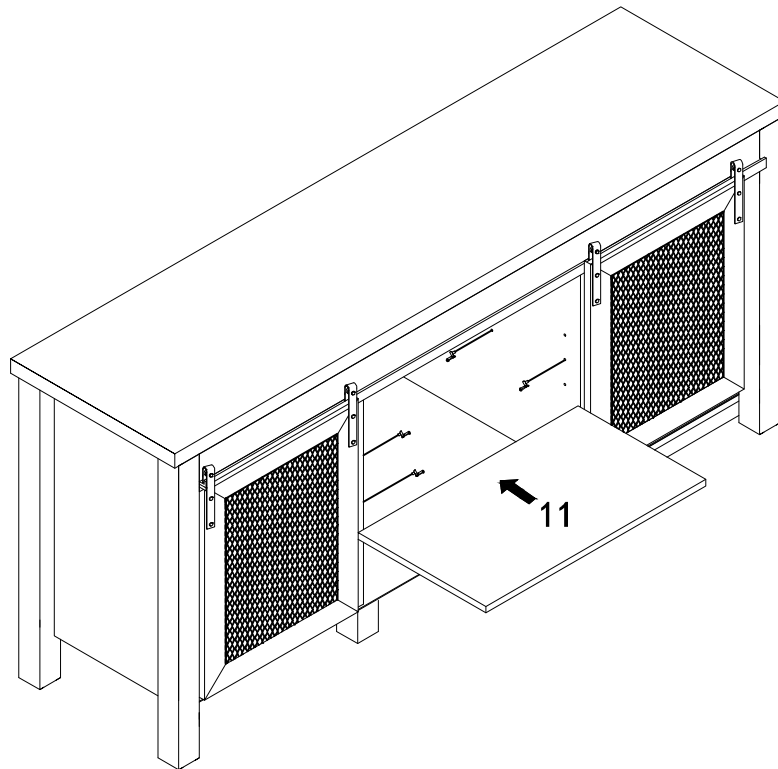


H



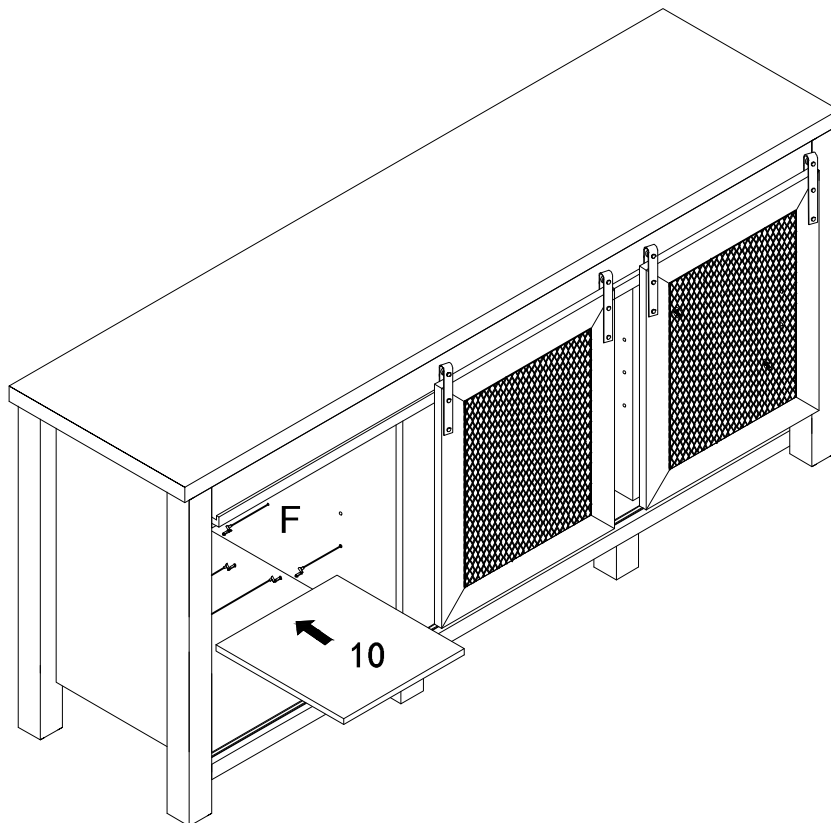
Step 15

F 



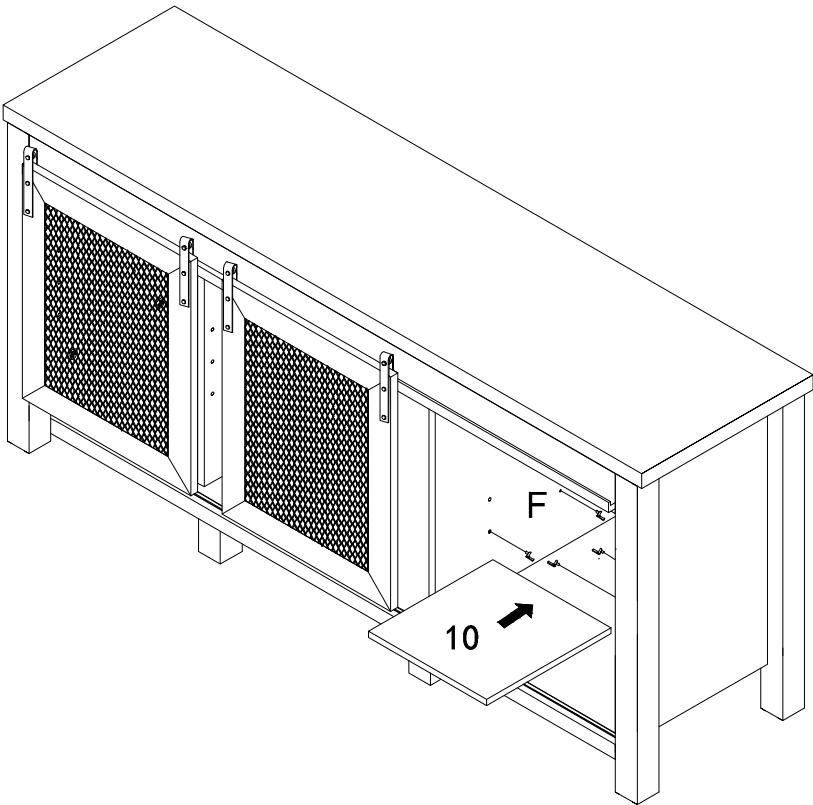
Step 16

F 



Step 17

F 



Step 18

