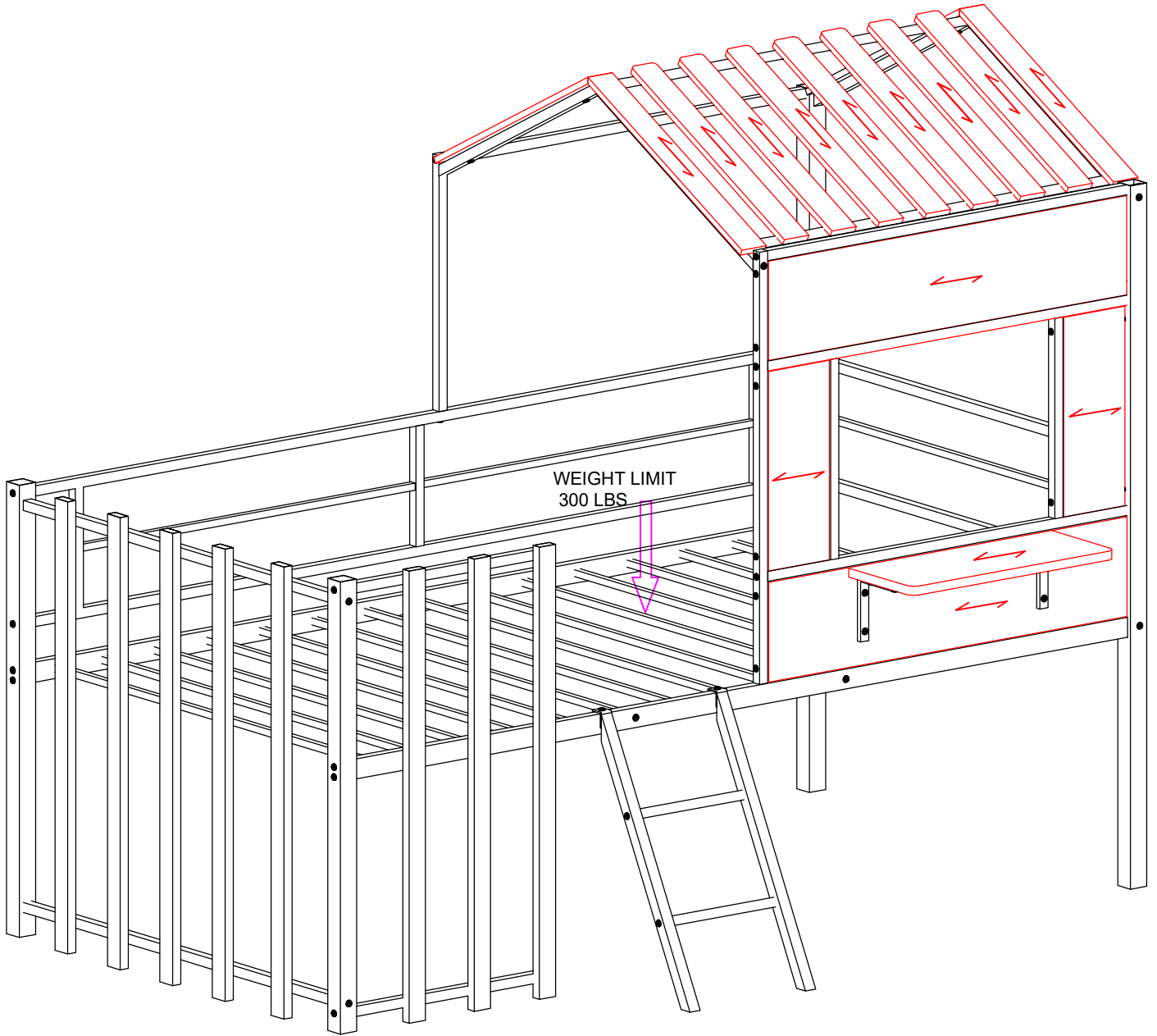
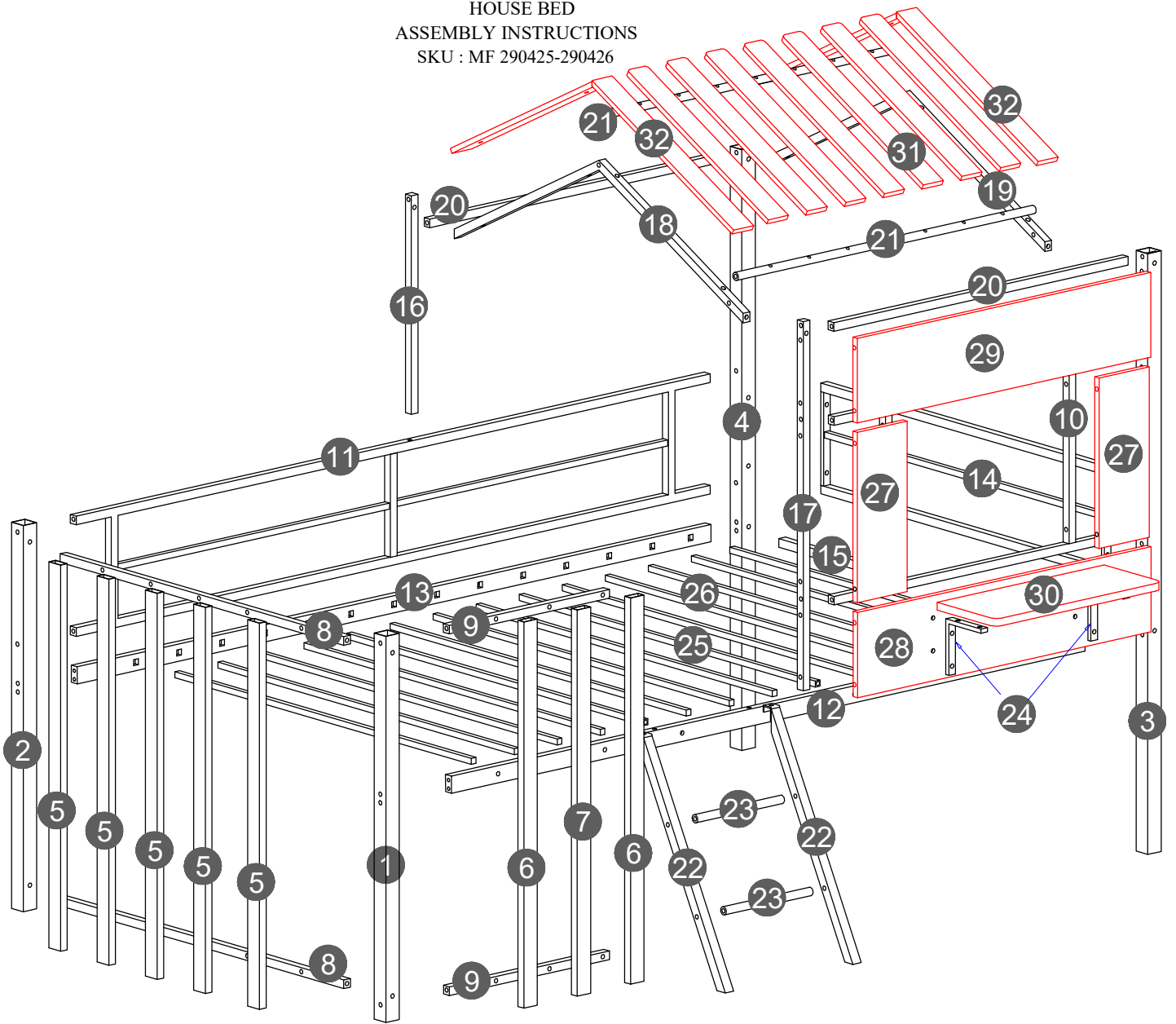


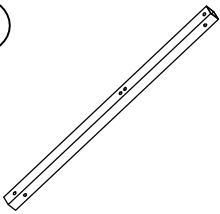
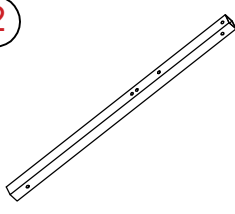
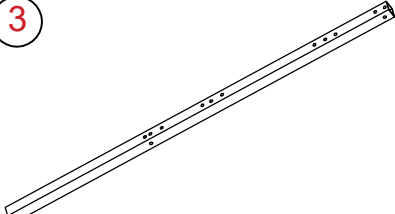
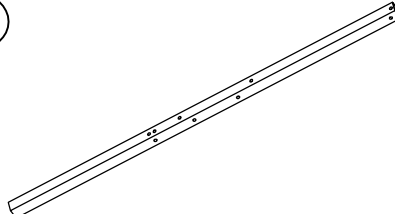
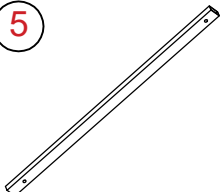
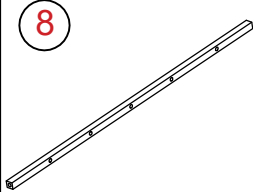
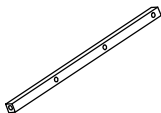
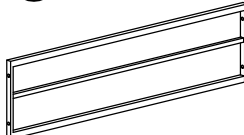
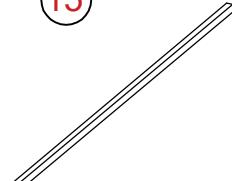
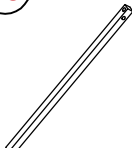
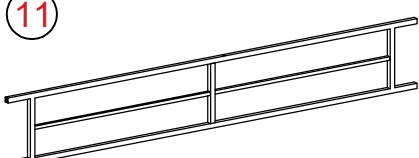
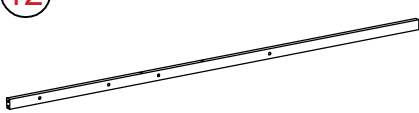
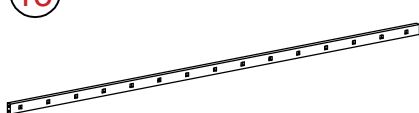
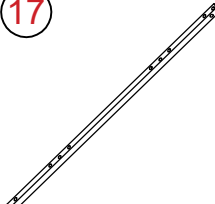
HOUSE BED
ASSEMBLY INSTRUCTIONS
SKU : MF 290425-290426



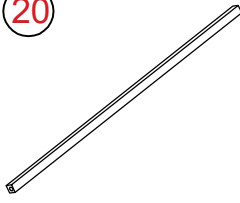
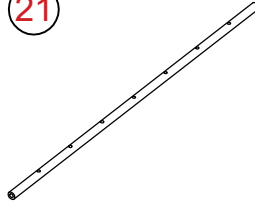
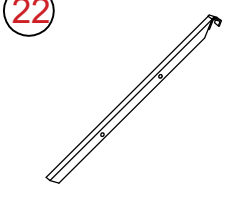
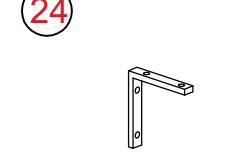
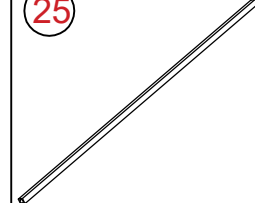
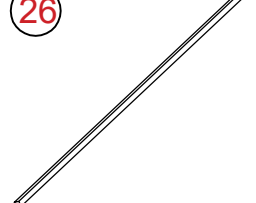
HOUSE BED
 ASSEMBLY INSTRUCTIONS
 SKU : MF 290425-290426



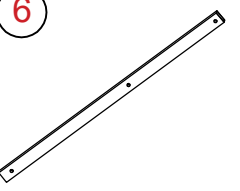
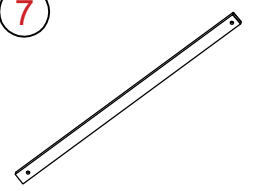
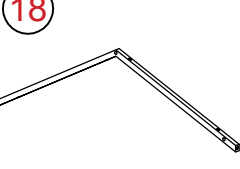
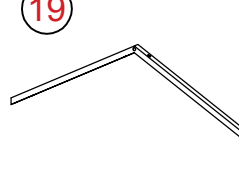
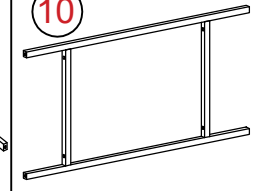
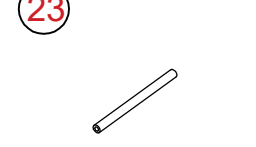
PART LIST MF 290425

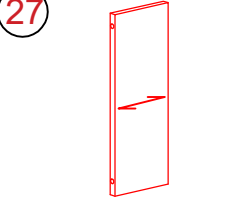
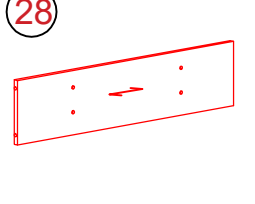
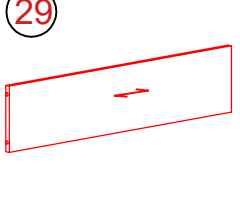
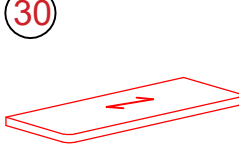
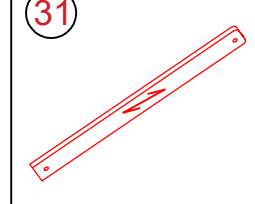
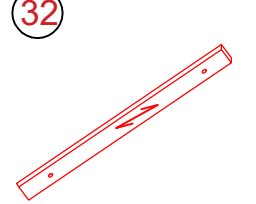
 <p>1</p>	 <p>2</p>	 <p>3</p>	 <p>4</p>		
<p>Post - 1pc</p>	<p>Post - 1pc</p>	<p>Post - 1pc</p>	<p>Post - 1pc</p>		
 <p>5</p>	 <p>8</p>	 <p>9</p>	 <p>14</p>	 <p>15</p>	 <p>16</p>
<p>vertical bar - 5pcs</p>	<p>Side rail - 2pcs</p>	<p>horizontal bar - 2pcs</p>	<p>End guard rail - 1pc</p>	<p>Side rail - 1pc</p>	<p>vertical bar - 1pc</p>
 <p>11</p>	 <p>12</p>	 <p>13</p>	 <p>17</p>		
<p>Guard rail - 1pc</p>	<p>Side rail - 1pc</p>	<p>Side rail - 1pc</p>	<p>vertical bar - 1pc</p>		

HOUSE BED
 ASSEMBLY INSTRUCTIONS
 SKU : MF 290425-290426
 PART LIST MF 290425






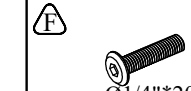


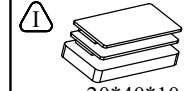



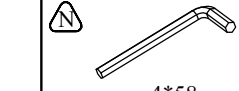
20 	21 	22 	24 	25 	26 
roof bar - 2pcs	roof bar - 2pcs	Ladder - 2pcs	shelf support - 2pcs	Slat - 2pcs	Slat - 13pcs

PART LIST MF 290426










6 	7 	18 	19 	10 	23 
vertical bar - 2pcs	vertical bar - 1pc	End guard rail - 1pc	End guard rail - 1pc	window frame - 1pc	Ladder - 2pcs

27 	28 	29 	30 	31 	32 
wooden wall panel - 2pcs	wooden wall panel - 1pc	wooden wall panel - 1pc	wooden shelf - 1pc	wooden roof- 7pcs	wooden roof- 4pcs

HARDWARE LIST 290425

A  Ø1/4"*55mm	B  Ø1/4"*50mm	C  Ø1/4"*40mm	D  Ø1/4"*35mm	E  Ø1/4"*28mm	F  Ø1/4"*20mm	G  Ø1/4"*15mm
Bolts - 27pcs	Bolts - 6pcs	Bolts - 4pcs	Bolts - 29pcs	Bolts - 36pcs	Bolts - 8pcs	Bolts - 6pcs
H  40*40*10mm	I  20*40*10mm	K  25*25*10mm	L  20*20*10mm	M  20*10*10mm	N  4*58mm	
End cap - 8pcs	End cap - 16pcs	End cap - 2pcs	End cap - 2pcs	End cap - 4pcs	Allen key - 1pc	

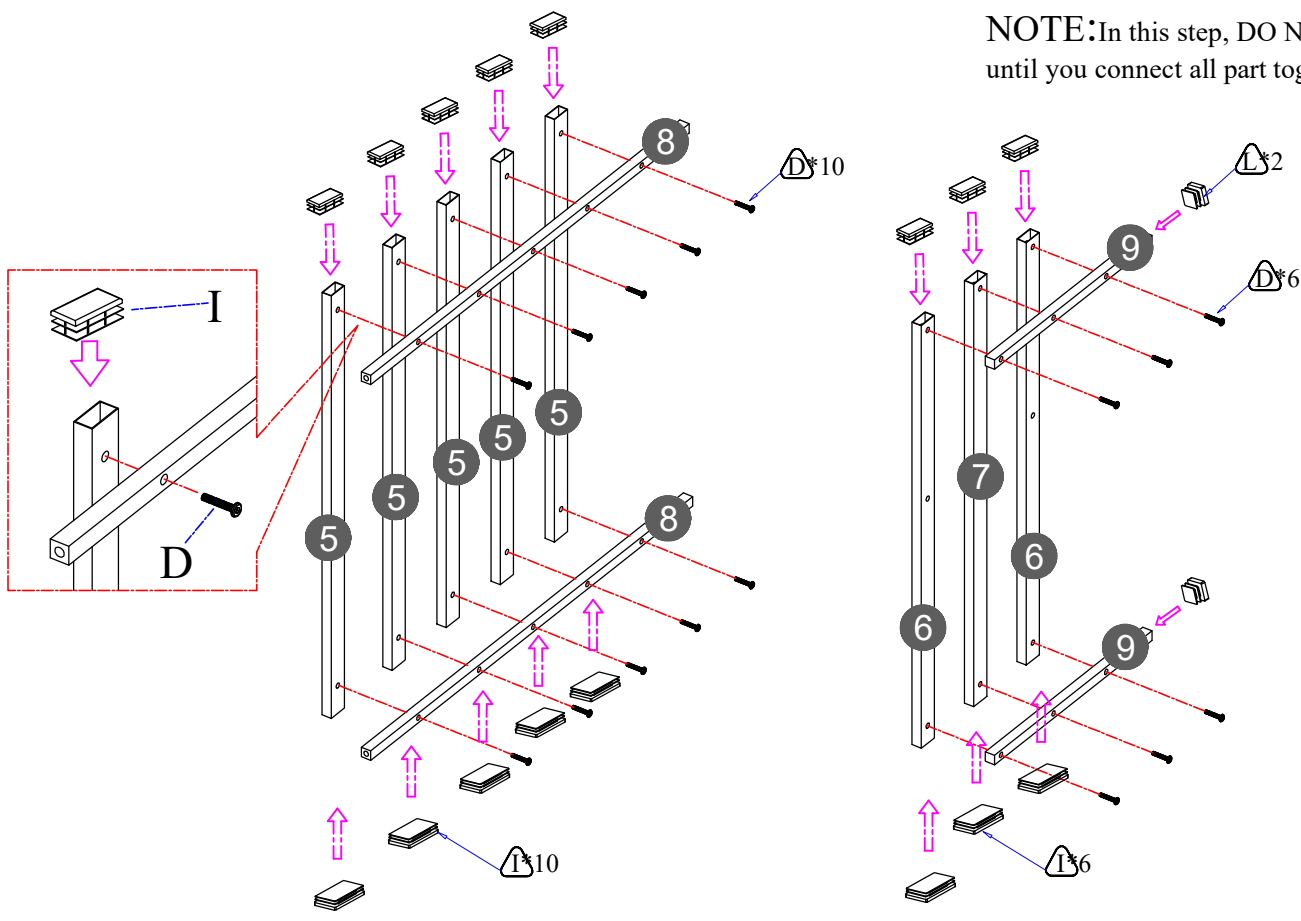
IMPORTANT SAFETY NOTICE: READ CAREFULLY BEFORE BEGINNING ASSEMBLY!

-  Do not stand on for your safety.
-  Follow the assembly steps in order. Do not skip any steps.
-  Please do not tighten any screw before each is well placed in appropriate holes.
-  Please tighten up all screws before usage to avoid any potential safety hazard.
-  Please double check to ensure all the screws are well placed in appropriate holes if any assembly issue occurs.
-  Be sure to check all packing materials carefully for small parts may have come loose inside the carton during shipment. If parts are missing, contact the retailer from which you purchased the product to obtain any missing parts. **DO NOT USE SUBSTITUTE PARTS.**
-  Keep the instructions for future reference.
-  Warning for young children - this product contains small components. please that they are kept away from small children
-  This set is included 2 boxes if don't receive full 2 boxes please contact our customer service team.

STEP 1: Following below illustration Assembly FRAME #1.

Using hardware #D, #I, #L connect #5, #6, #7 with #8, #9 to complete FRAME #1.

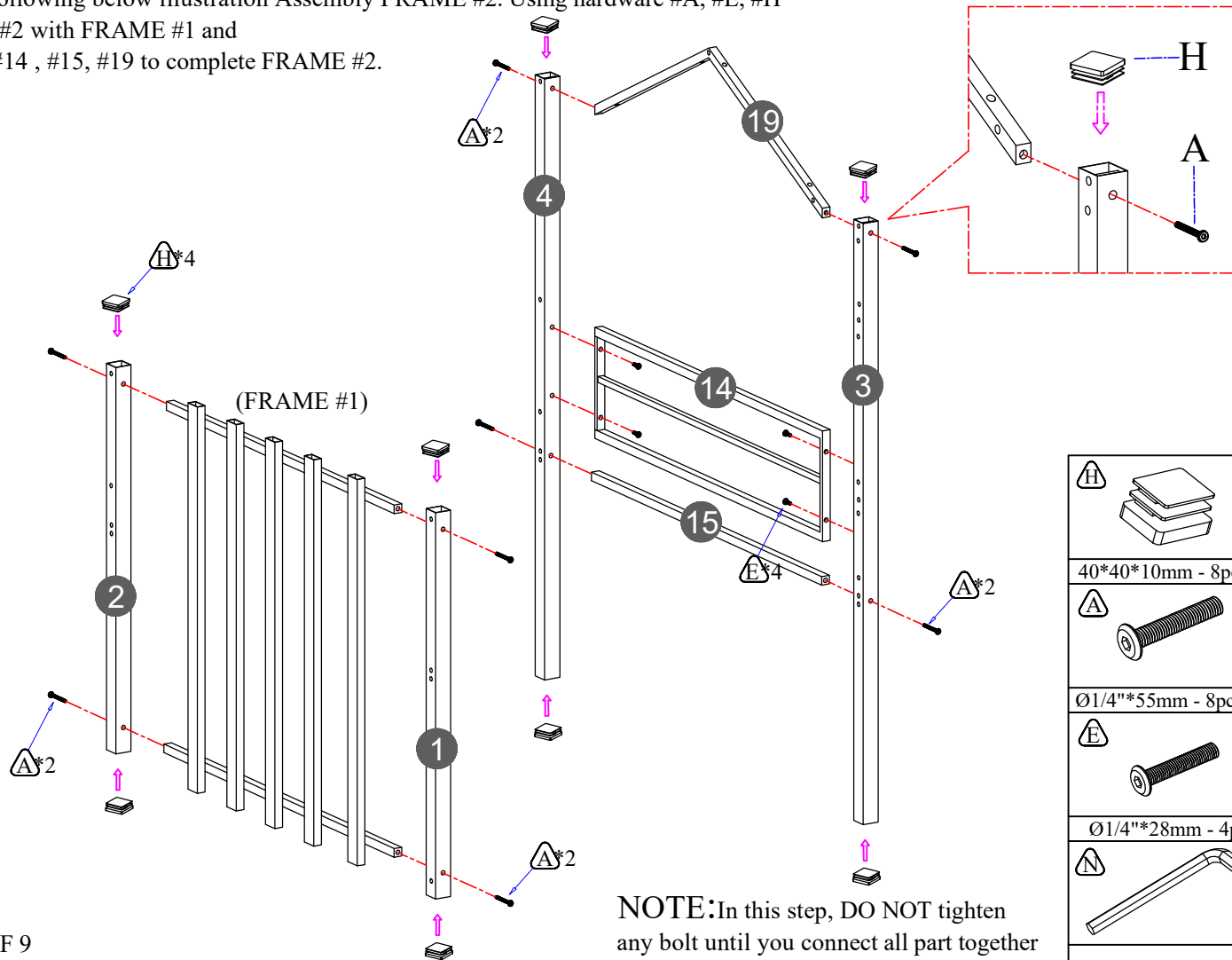
NOTE: In this step, DO NOT tighten any bolt until you connect all part together



	20*40*10mm - 16pcs
	20*20*10mm - 2pcs
	Ø1/4"*35mm - 16pcs
	Ø1/4"*35mm - 16pcs

STEP 2: Following below illustration Assembly FRAME #2. Using hardware #A, #E, #H

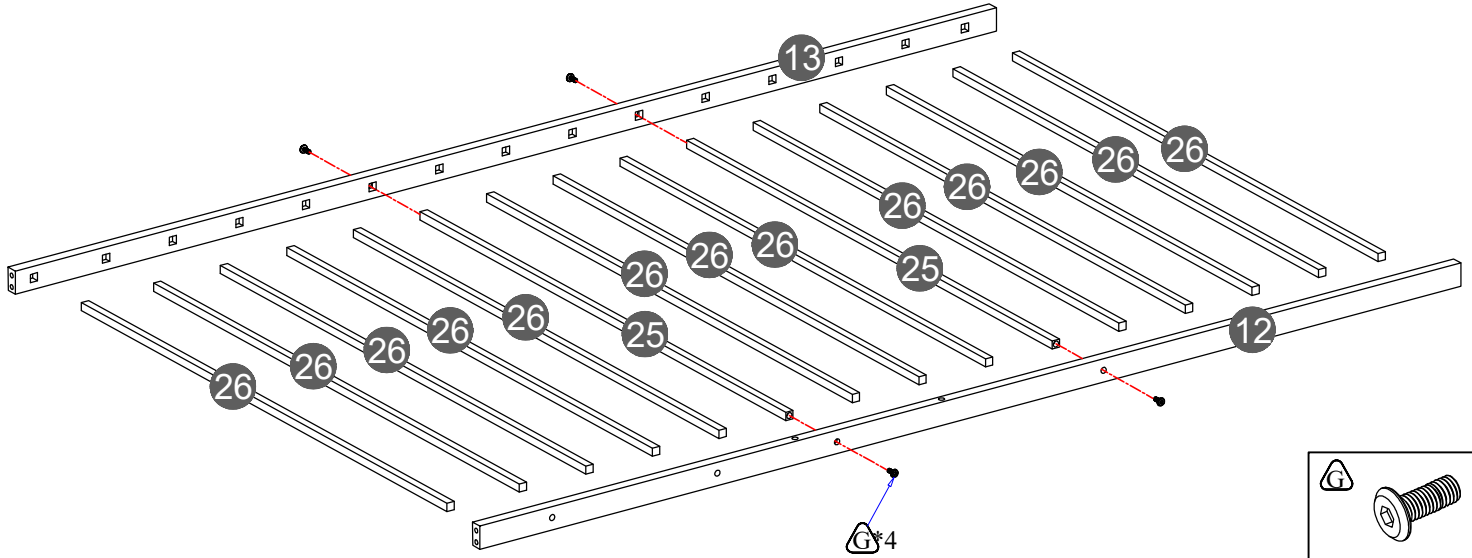
connect #1, #2 with FRAME #1 and #3, #4 with #14, #15, #19 to complete FRAME #2.



	40*40*10mm - 8pcs
	Ø1/4"*55mm - 8pcs
	Ø1/4"*28mm - 4pcs
	Ø1/4"*35mm - 16pcs

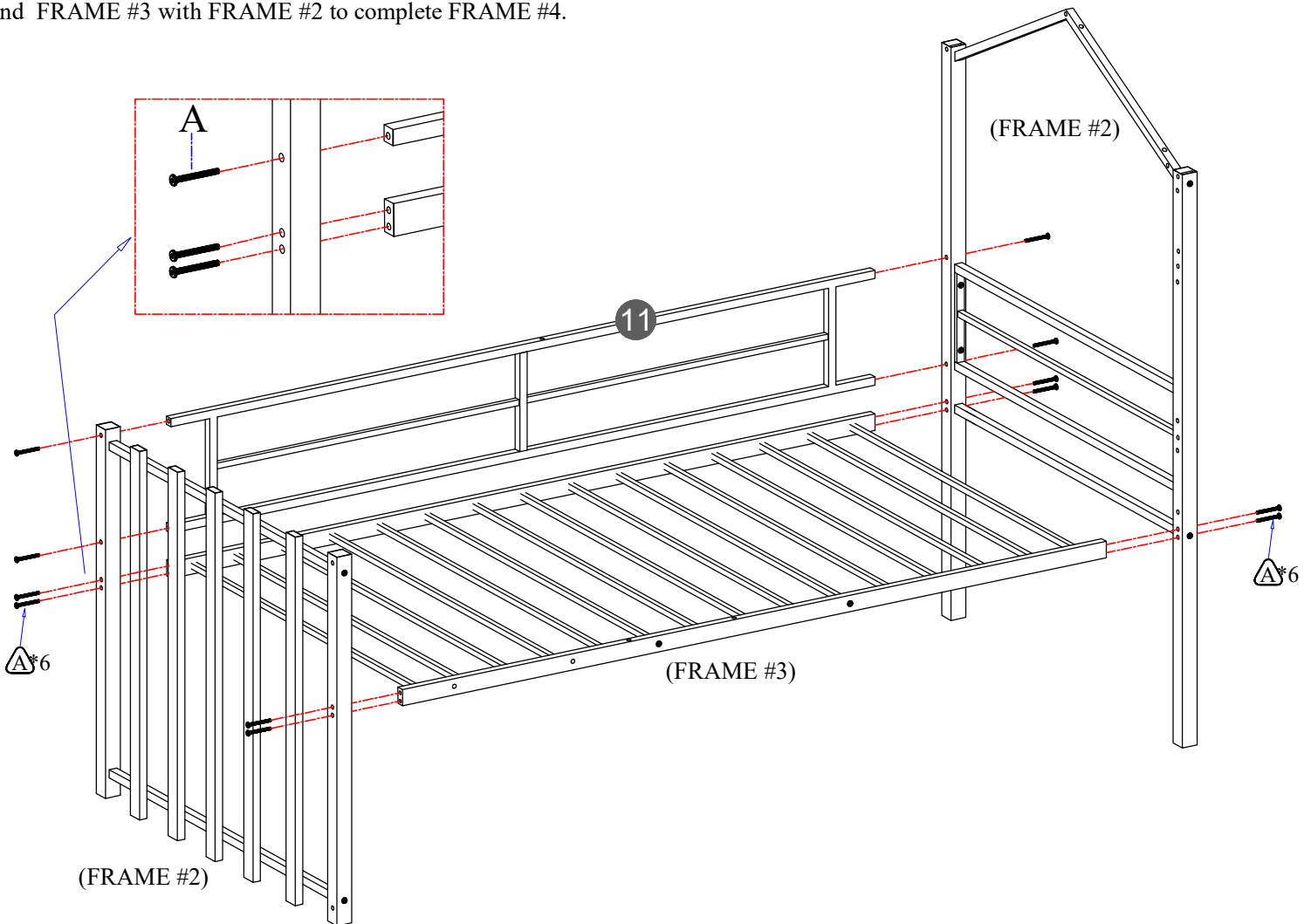
NOTE: In this step, DO NOT tighten any bolt until you connect all part together

STEP 3: Following below illustration Assembly FRAME #3. Using hardware #G connect #12, #13 with #25, #26 to complete FRAME #3.



NOTE: In this step, DO NOT tighten any bolt until you connect all part together

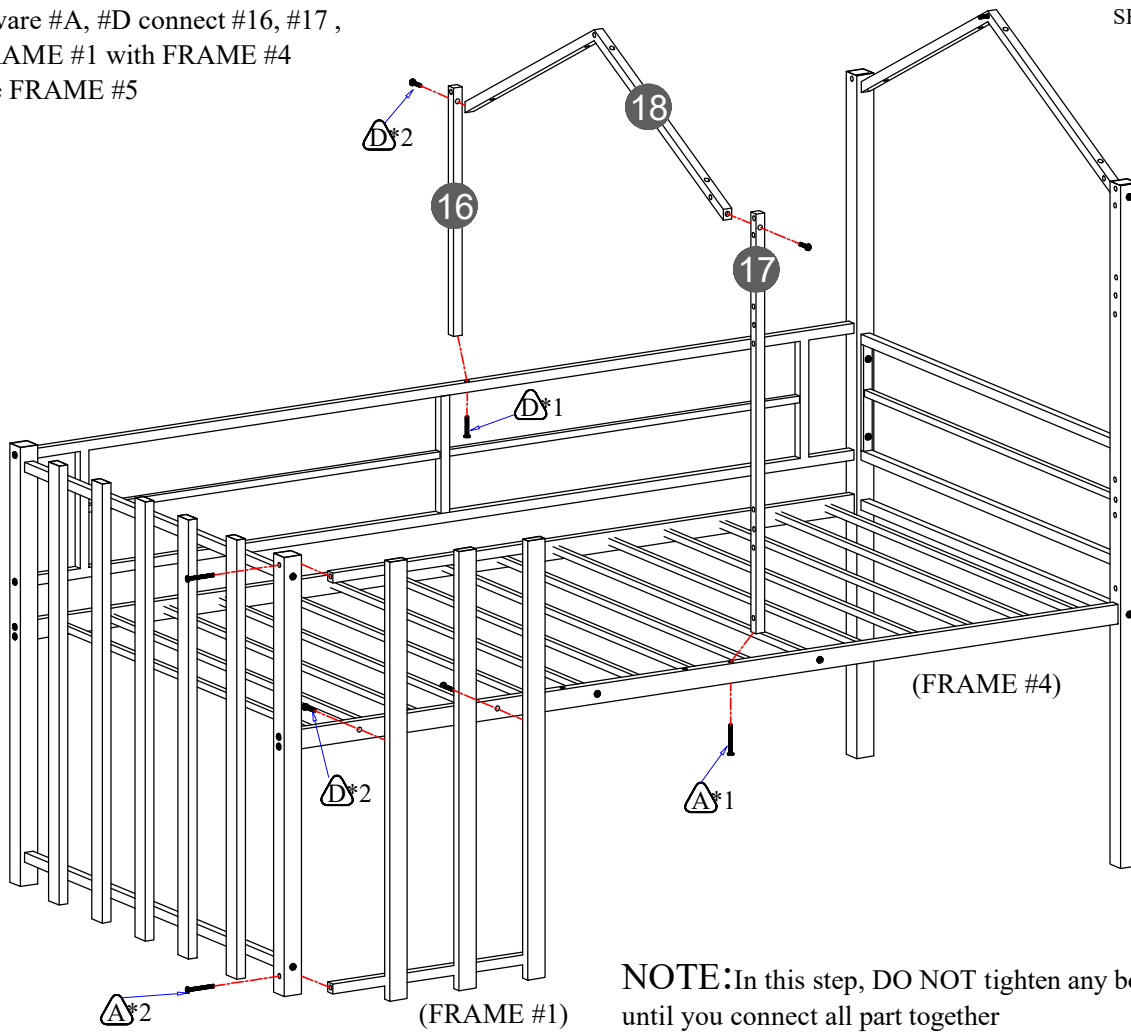
STEP 4: Following below illustration Assembly FRAME #4. Using hardware #A connect #11 and FRAME #3 with FRAME #2 to complete FRAME #4.







NOTE: In this step, DO NOT tighten any bolt until you connect all part together

STEP 5: Following below illustration Assembly FRAME #5.

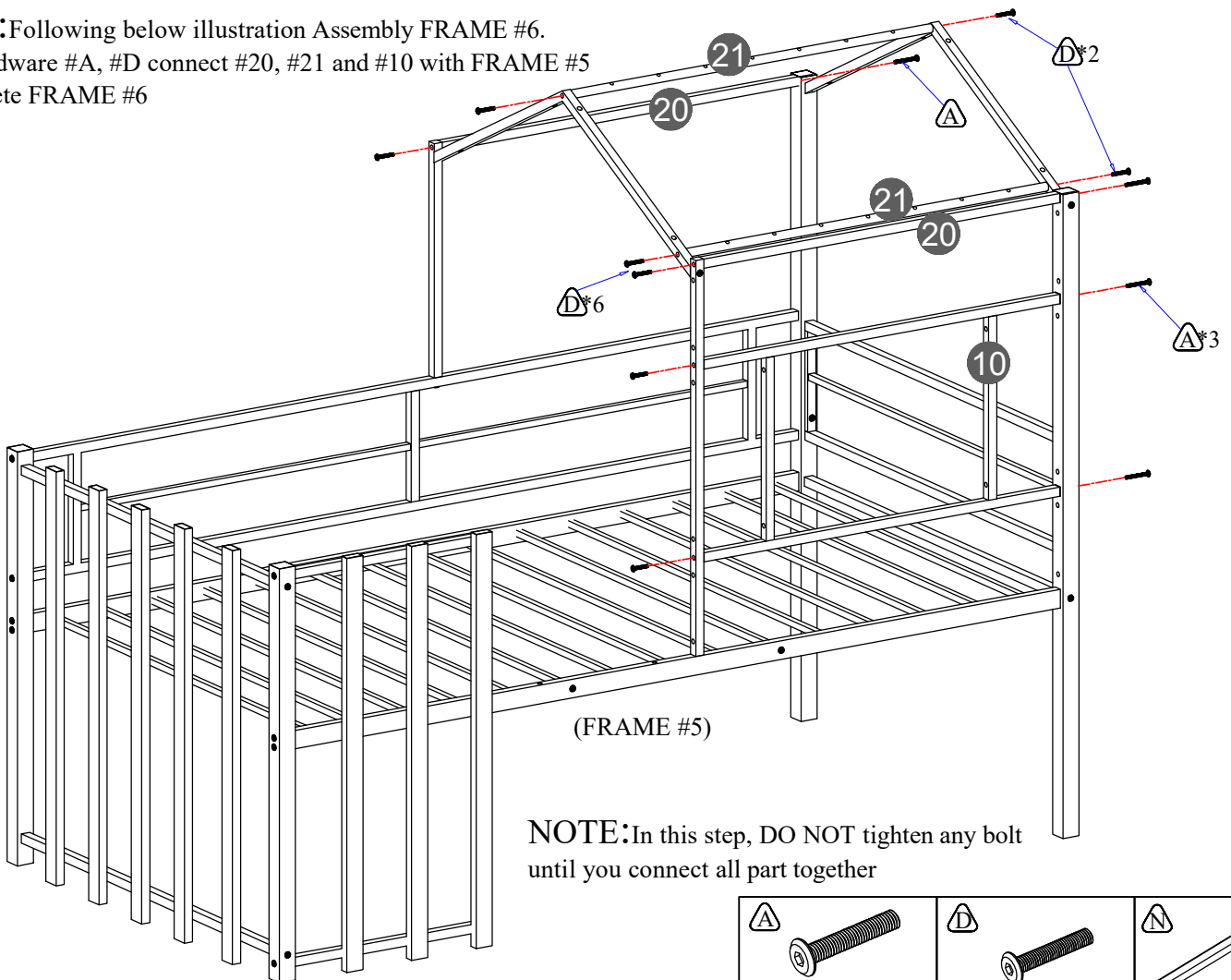
Using hardware #A, #D connect #16, #17, #18 and FRAME #1 with FRAME #4 to complete FRAME #5






	
Ø1/4"*55mm - 3pcs	
	
Ø1/4"*35mm - 5pcs	

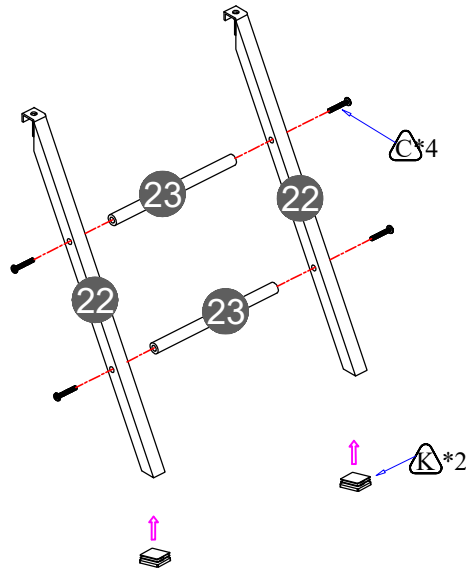
STEP 6: Following below illustration Assembly FRAME #6.

Using hardware #A, #D connect #20, #21 and #10 with FRAME #5 to complete FRAME #6



		
Ø1/4"*55mm - 4pcs		Ø1/4"*35mm - 8pcs

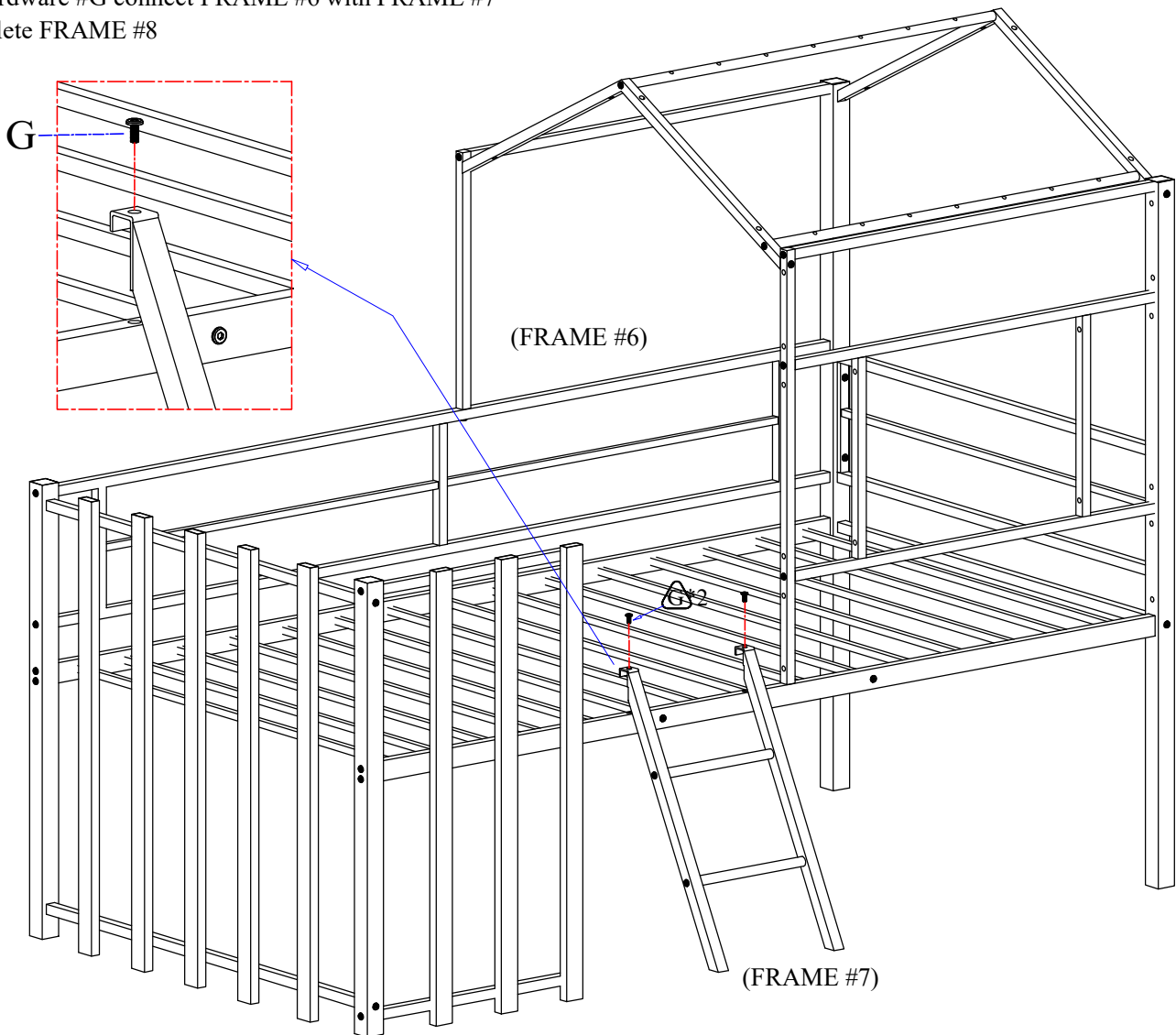
STEP 7: Following below illustration Assembly FRAME #7.
 Using hardware #C, #K connect #22 with #23 to complete FRAME #7



	25*25*10mm - 2pcs
	Ø1/4"*40mm - 4pcs

NOTE: In this step, DO NOT tighten any bolt until you connect all part together

STEP 8: Following below illustration Assembly FRAME #8.
 Using hardware #G connect FRAME #6 with FRAME #7 to complete FRAME #8

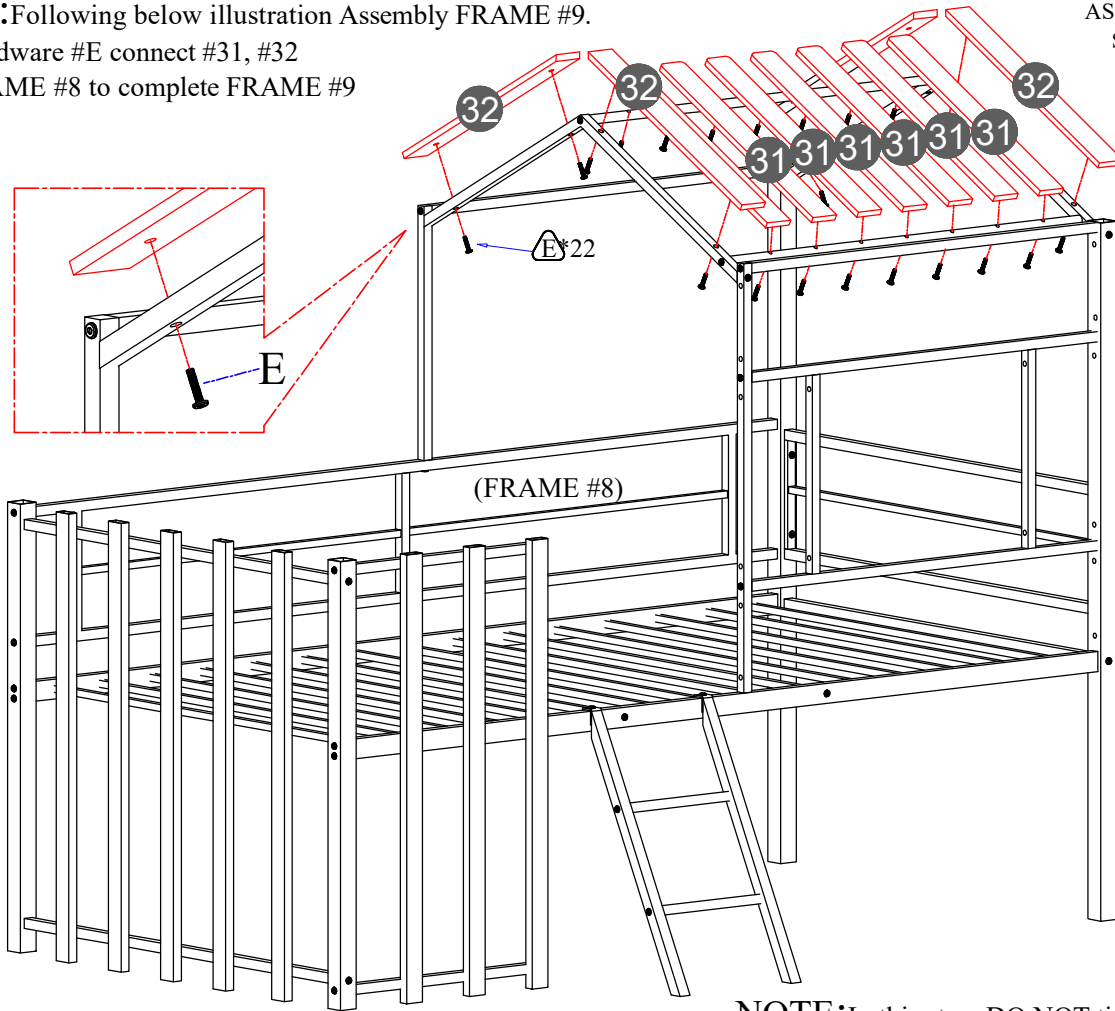


	Ø1/4"*15mm -2pcs		

NOTE: In this step, DO NOT tighten any bolt until you connect all part together

STEP 9: Following below illustration Assembly FRAME #9.

Using hardware #E connect #31, #32 with FRAME #8 to complete FRAME #9

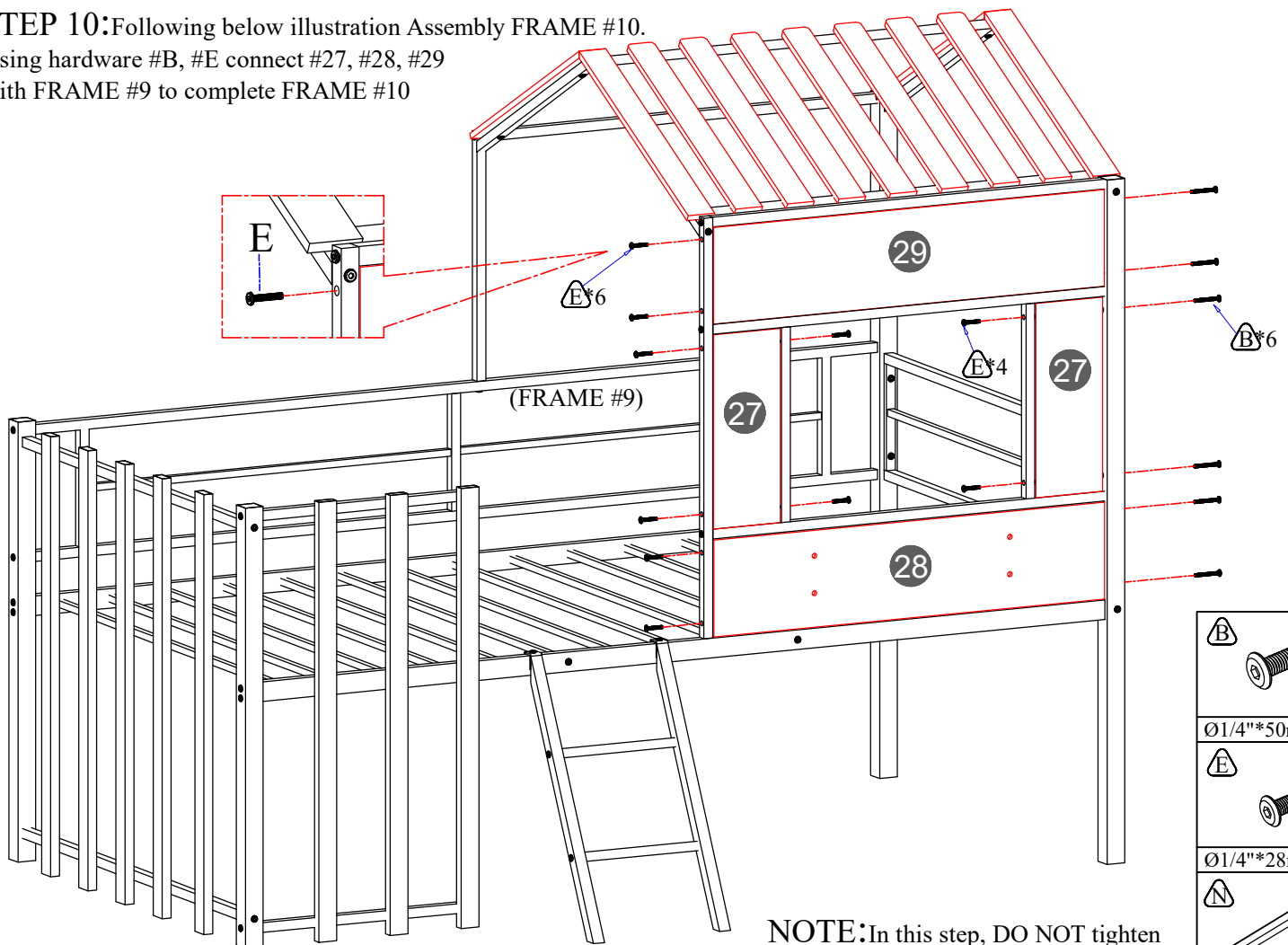


Ø1/4"*28mm - 22pcs	

NOTE: In this step, DO NOT tighten any bolt until you connect all part together

STEP 10: Following below illustration Assembly FRAME #10.

Using hardware #B, #E connect #27, #28, #29 with FRAME #9 to complete FRAME #10

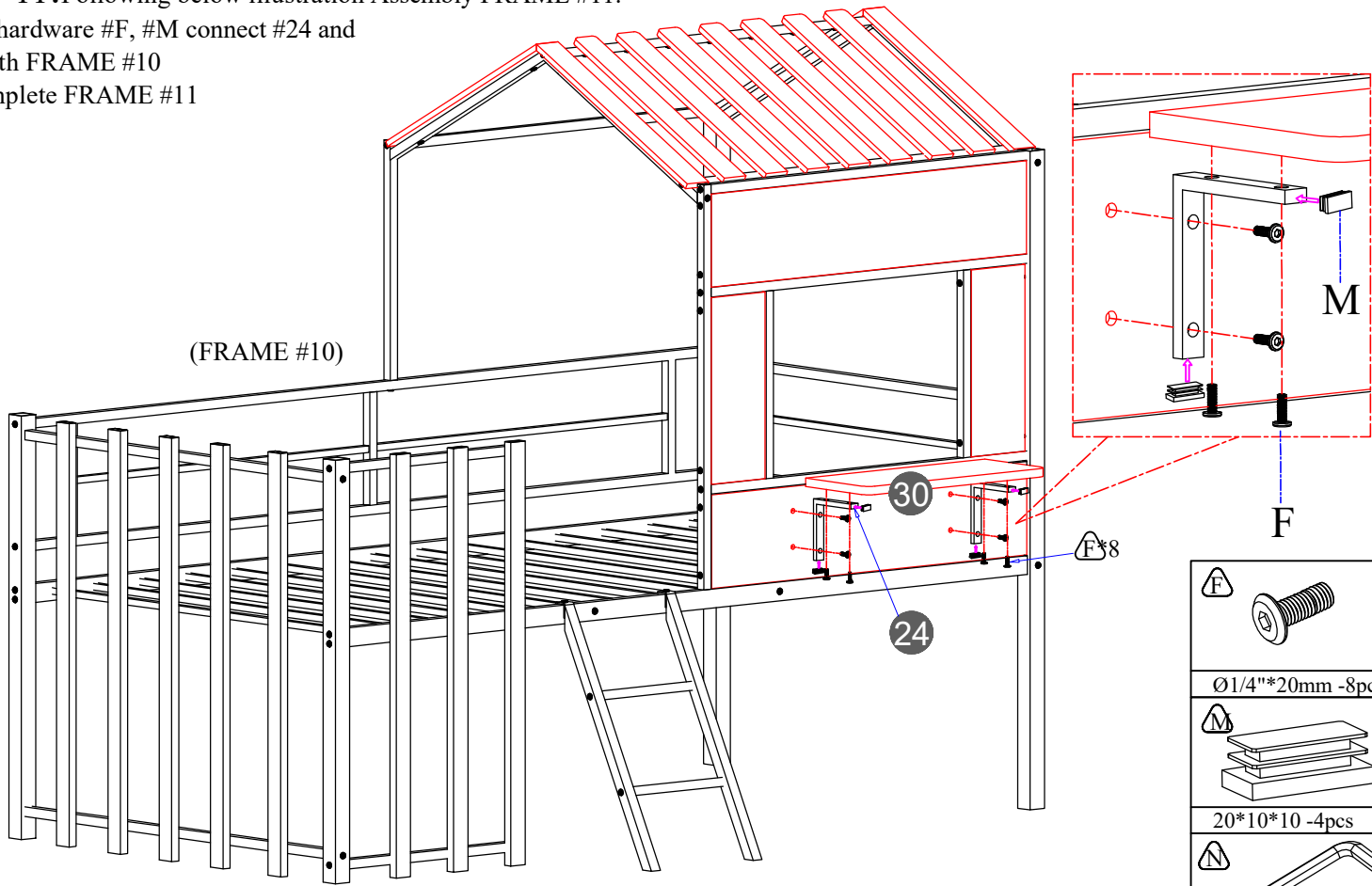


Ø1/4"*50mm - 6pcs	
Ø1/4"*28mm - 10pcs	

NOTE: In this step, DO NOT tighten any bolt until you connect all part together

STEP 11: Following below illustration Assembly FRAME #11.

Using hardware #F, #M connect #24 and #30 with FRAME #10 to complete FRAME #11



(FRAME #10)

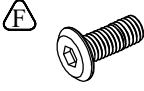
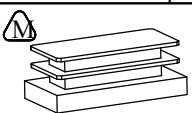
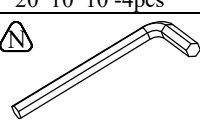
30

24

F*8

M

F


Ø1/4"*20mm -8pcs

20*10*10 -4pcs


NOTE: Tighten all step before using. Thank you

COMPLETED HOUSE BED

