

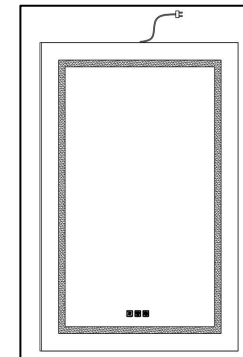
## IMPORTANT INFORMATION

To avoid the risk of electrocution,  
please turn OFF the electricity supply mains  
before commencing the installation.

Do not stand the mirror upright on hard  
surfaces whilst fitting as this will damage the edge.  
Keep the plastic corner protectors on  
until installation is fully completed.

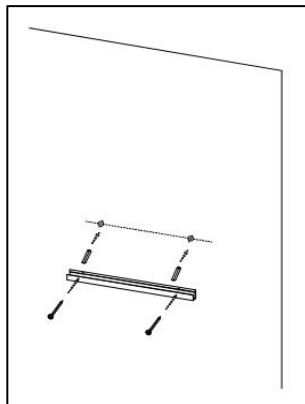


Mirror cabinet

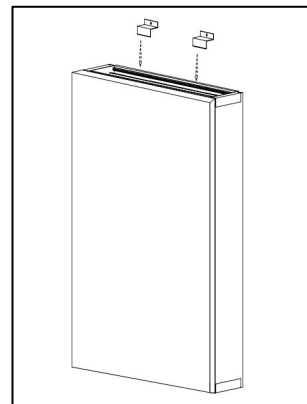


## 1. Installation

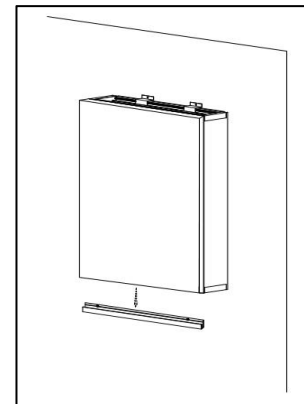
- Note: 1.Keep the plastic corner protectors on until installation is fully completed.  
2.Take out the mirror cabinet from the wood, keep the three hanging parts removed,  
and then install it on the wall to fix the mirror cabinet.



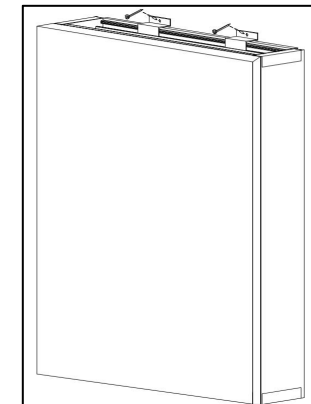
Measure the distance of the  
mounting hole, Drill holes  
with a suitable sized drill.And  
install the pendant on the wall



Install the top pendant  
into the slot, then move  
the anchor to the left and  
right



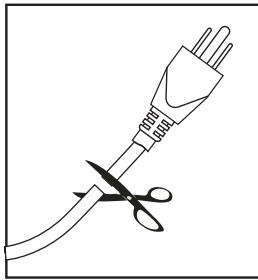
Install the mirror cabinet on the  
pendant fixed on the wall, and  
make sure that the pendant at  
the bottom is installed into the  
card slot.



Finally, after determining  
the position of the pendant  
on the top, make a hole in  
the wall and screw it in.

## 2. Power Connection Instruction

The mirror comes with a 5 ft power cable that can be directly plugged into the switch for convenient use. It can also be hardwired by cutting off the plug and control the ON/OFF of power via the wall switch.



### Warning:

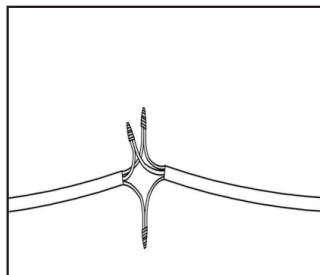
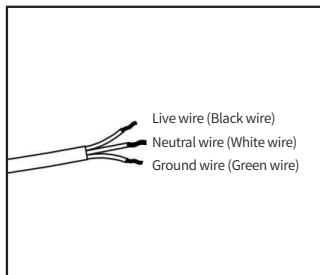
Removing the plug connector will invalidate your product warranty.

If you would like to test the product function prior to installation, please test the product in any standard plug socket.

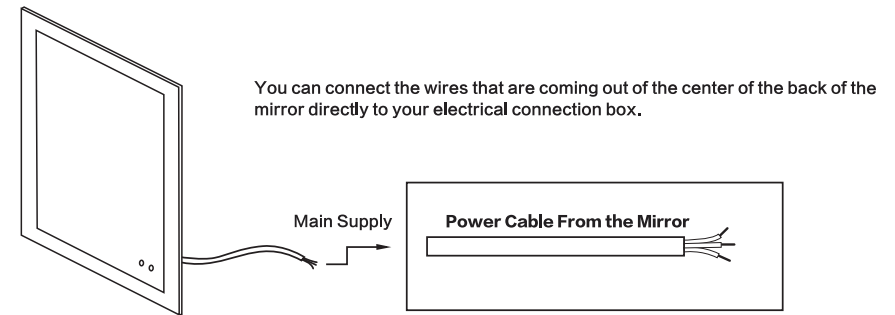
Before you start the installation, please ensure that:

- the wall where the product is being installed is able to support the weight of the product
- the main electrical supply has been powered off to complete installation

- Green=GROUND wire connect to the ground wire in your box, or to the box as a ground.
- White=Neutral wire connect to the White Neutral wire in your box.
- Black=LIVE wire connect to the Black LIVE wire in your box.



- (1) You would see there three wires with three colors--white, green and black.
- (2) Safely connect these three wires one by one to the wires of the wall switch in your home.



## Operation

The sensor button indicator is blue when it is OFF and will turn white when it is ON.

### Lighting Color Adjust

Short touch the power button to adjust the lighting color.

It has three colors to select, natural light/warm yellow/white light



1. Short touch the power button to turn the light ON/OFF.

Short touch again to choose the light (natural light/warm yellow/white light).

2. Long touch the power button to dim the currently selected light.



3. Anti-fog Function On/Off

Touch this button in order to turn the defogger ON/OFF.